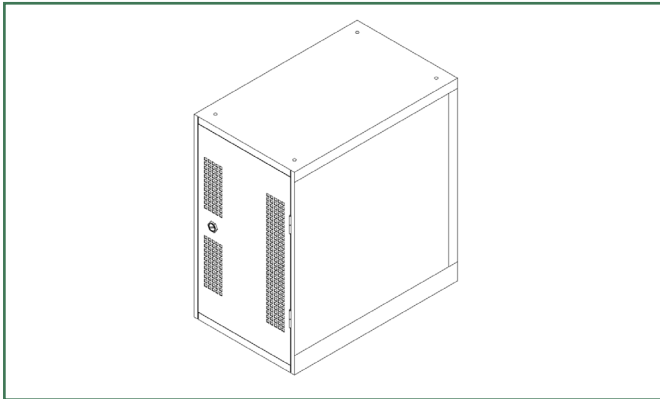




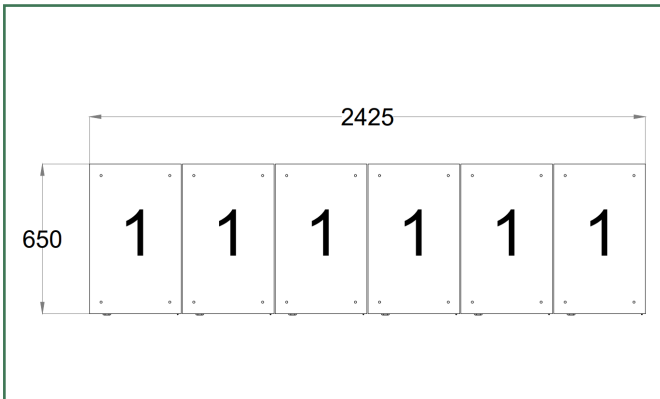
Dedicated folding bike storage aligns with the rapid growth of folding bikes, maximising a bike store's capacity.

The Folding Bike Locker is a single lockable compartment for Brompton-style bikes, available in a range of RAL colours.

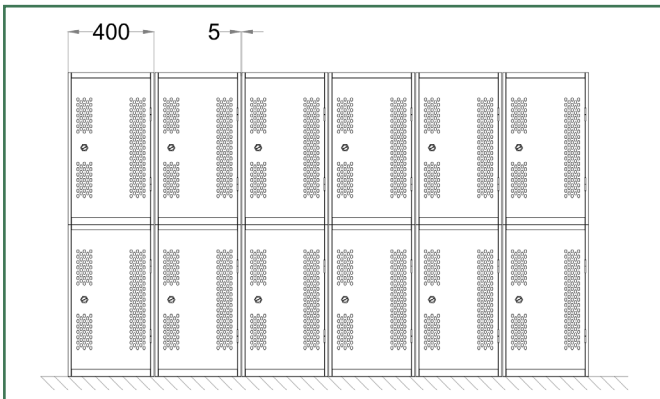
## 3D view



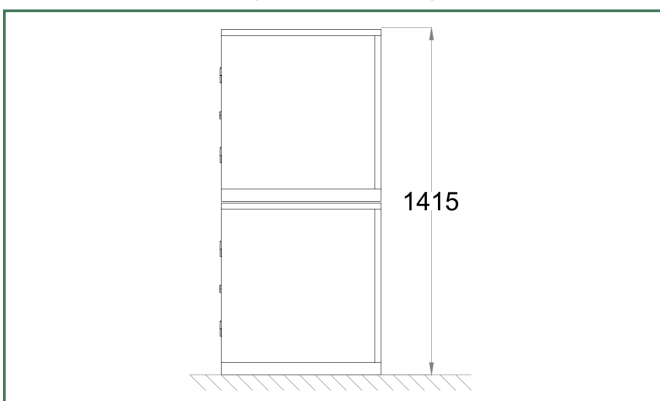
## Plan view



## Front elevation (Two stack)



## Side elevation (Two stack)



## Product details

<b>Product name</b>	Folding Bike Locker
<b>Product code</b>	VEC120
<b>Fixing</b>	Surface mounted
<b>Dimensions</b>	H708mm x W400mm x D650mm (per locker)
<b>Configuration</b>	1,2, or 3 stack height

## Standard finishes

<b>Finish</b>	Galvanised to BS EN ISO 1461
<b>Powder coating</b>	Any standard RAL or BS (below)
<b>Lock options</b>	Keyturn lock or Hasp & Staple lock

### Standard colours

RAL 1003	RAL 3020	RAL 5002
RAL 6001	RAL 7035	BS 20 E 51
BS 00 A 11	RAL 3003	RAL 9005



Keyturn



Hasp & staple

## Optional extras

<b>Powder coating</b>	Additional bespoke colours on request, subject to availability
<b>Lock options</b>	10 digit combination or RFID lock



10 digit



RFID

