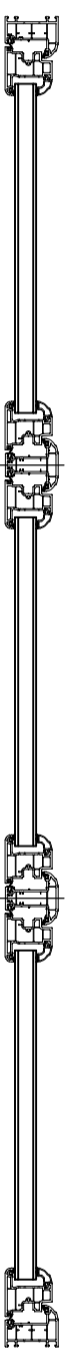
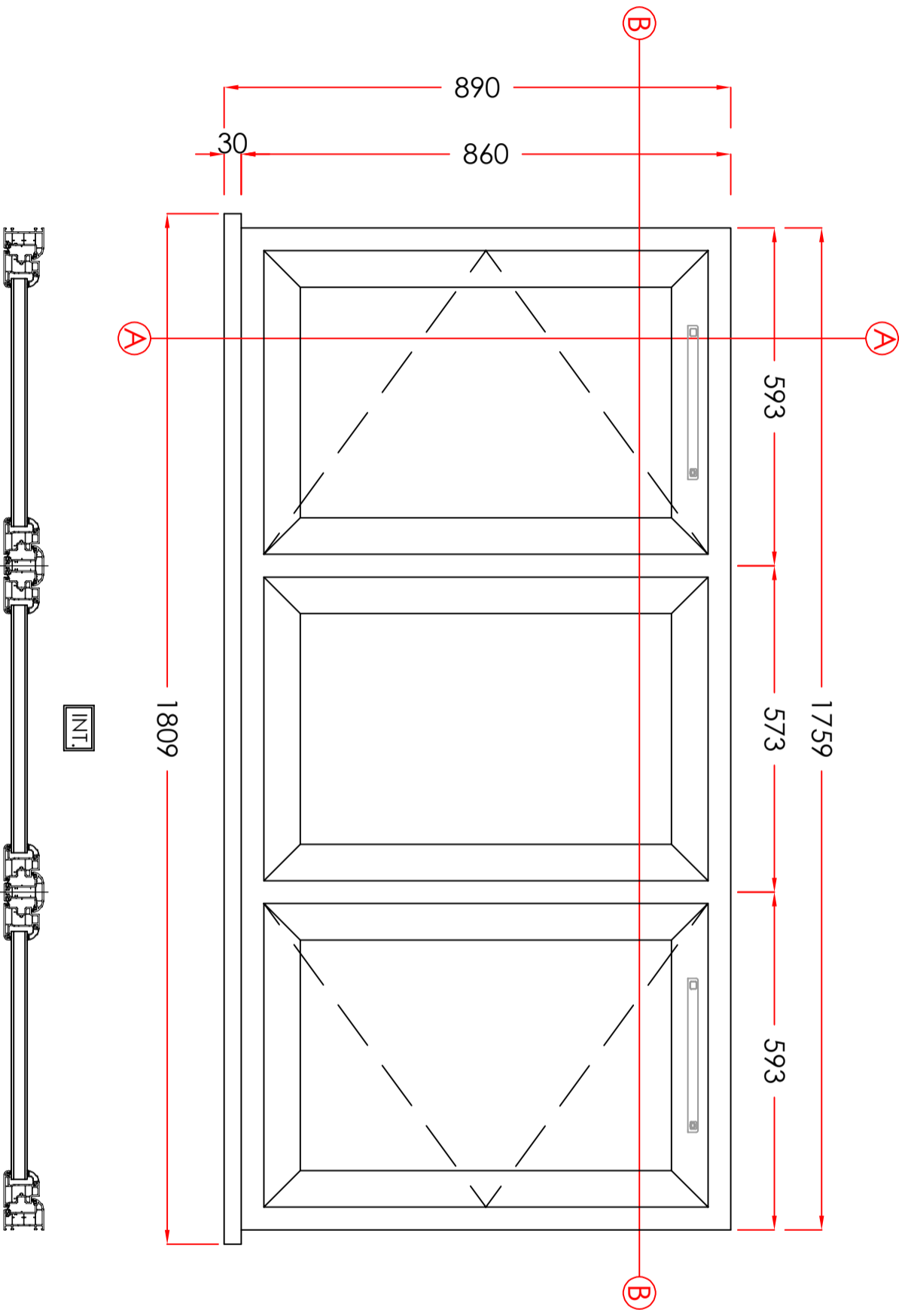


Scale Bar
1:10 (mm)

0 100 200 300 400 500 600 700 800 900 1000 1100 1200 1300 1400 1500

THESE DRAWINGS ARE THE PROPERTY OF ANGLIAN HOME IMPROVEMENTS
AND MUST NOT BE USED, DISTRIBUTED, LOANED OR COPIED WITHOUT THE
EXPRESS PERMISSION OF ANGLIAN HOME IMPROVEMENTS.

VIEWED EXTERNALLY

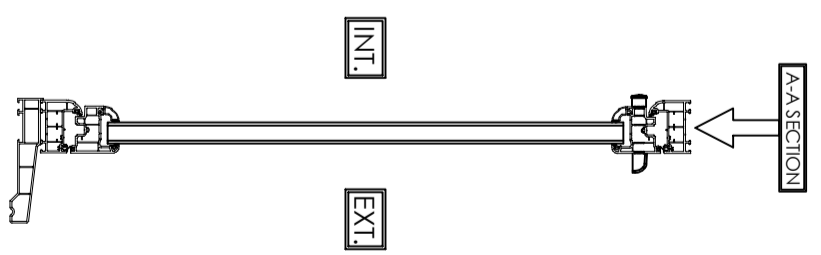


MATERIAL - PVCU
EXTERNAL COLOUR - ANTHRACITE SMOOTH
INTERNAL COLOUR - HERITAGE WHITE
GLAZING - 28MM SEALED UNITS

B-B SECTION
ITEM 7

EXT.

INT.



INT.

EXT.

CONTRACT No.: 30402743

date: 04/03/2024

PROPOSED: WINDOW REPLACEMENT
AT: 1 MANOR DRIVE
(INSTALLATION ADDRESS)

MORTON
SOUTHWELL
NOTTINGHAMSHIRE, NG25 0UZ

Scale - 1:10
(Produced on A3 Paper)
Sheet 4 Of 14

Drawers Initials
SF

