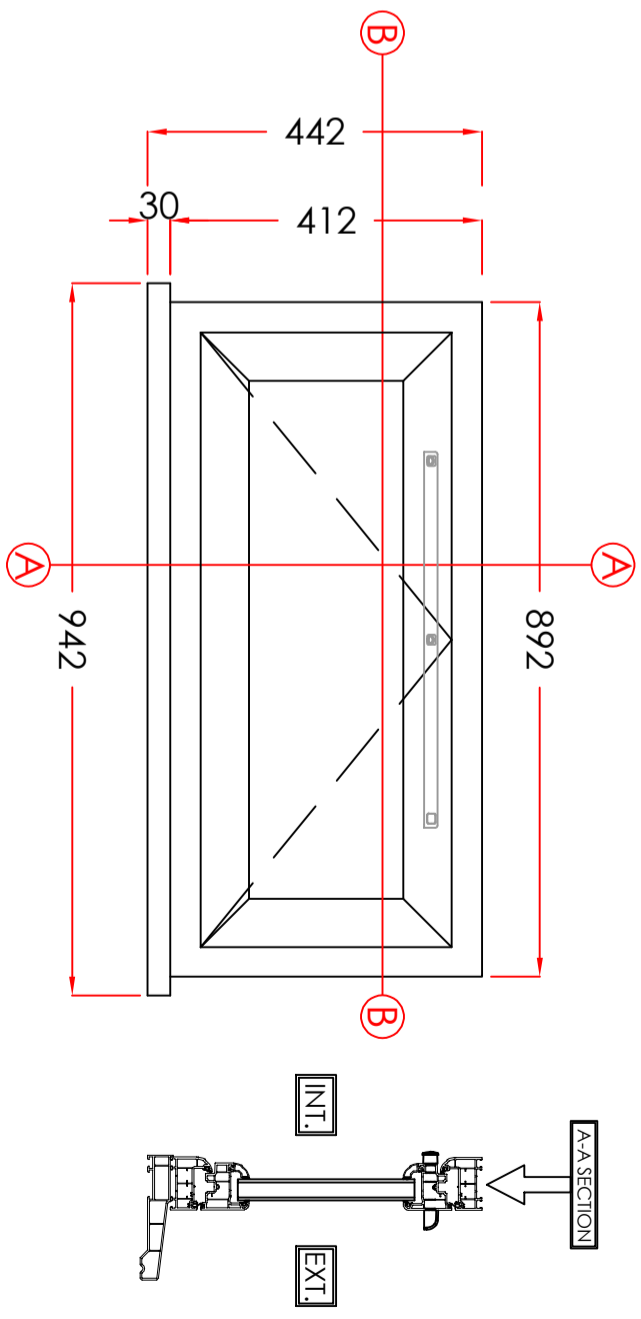


ITEM 17

MATERIAL - PVCu
 EXTERNAL COLOUR - ANTHRACITE SMOOTH
 INTERNAL COLOUR - HERITAGE WHITE
 GLAZING - 28MM SEALED UNITS



ITEM 18

MATERIAL - PVCu
 EXTERNAL COLOUR - ANTHRACITE SMOOTH
 INTERNAL COLOUR - HERITAGE WHITE
 GLAZING - 28MM SEALED UNITS

VIEWED EXTERNALLY

THESE DRAWINGS ARE THE PROPERTY OF ANGLIAN HOME IMPROVEMENTS AND MUST NOT BE USED, DISTRIBUTED, LOANED OR COPIED WITHOUT THE EXPRESS PERMISSION OF ANGLIAN HOME IMPROVEMENTS.



Scale - 1:10
 (Produced on A3 Paper)
 Sheet 13 Of 14

CONTRACT No.: 30402743	date: 04/03/2024
PROPOSED: WINDOW REPLACEMENT	
AT: 1 MANOR DRIVE	
<small>(INSTALLATION ADDRESS)</small>	
MORTON	
SOUTHWELL	
NOTTINGHAMSHIRE, NG25 0UZ	
Drawers Initials: SF	

