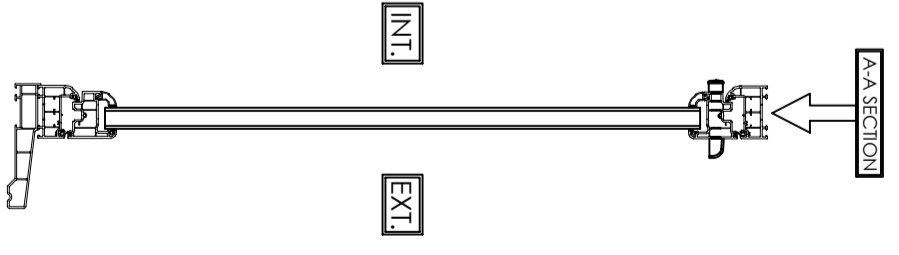
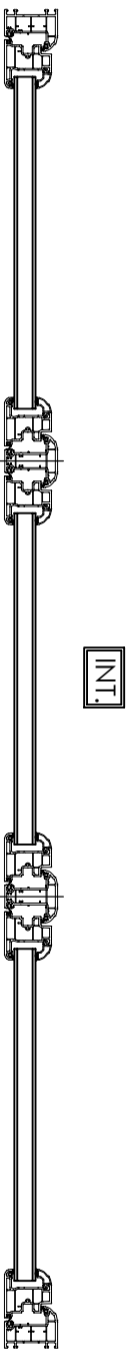
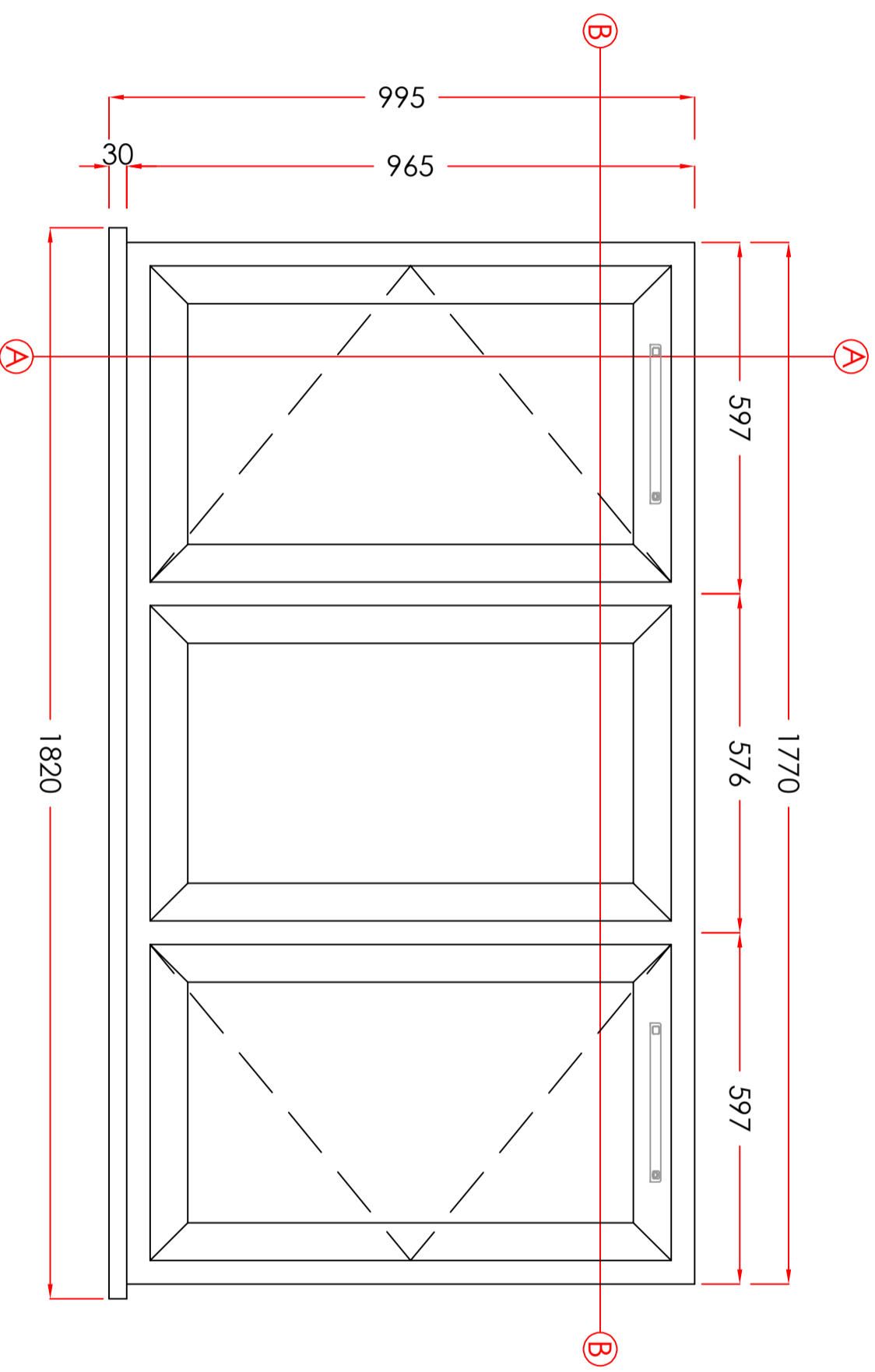




THESE DRAWINGS ARE THE PROPERTY OF ANGLIAN HOME IMPROVEMENTS AND MUST NOT BE USED, DISTRIBUTED, LOANED OR COPIED WITHOUT THE EXPRESS PERMISSION OF ANGLIAN HOME IMPROVEMENTS.

# VIEWED EXTERNALLY



MATERIAL - PVCU  
 EXTERNAL COLOUR - ANTHRACITE SMOOTH  
 INTERNAL COLOUR - HERITAGE WHITE  
 GLAZING - 28MM SEALED UNITS

ITEM 19

Scale - 1:10  
 (Produced on A3 Paper)

Sheet 14 Of 14

SF

CONTRACT No.: 30402743

date: 04/03/2024

PROPOSED: WINDOW REPLACEMENT  
 AT: 1 MANOR DRIVE

MORTON  
 SOUTHWELL  
 NOTTINGHAMSHIRE, NG25 0UZ

