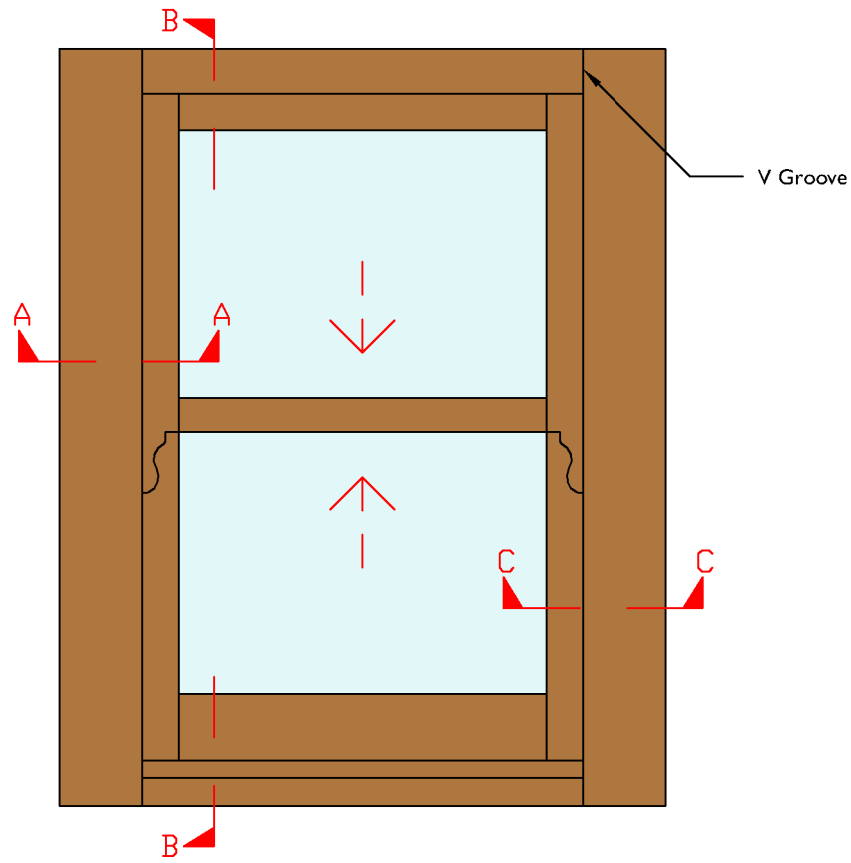
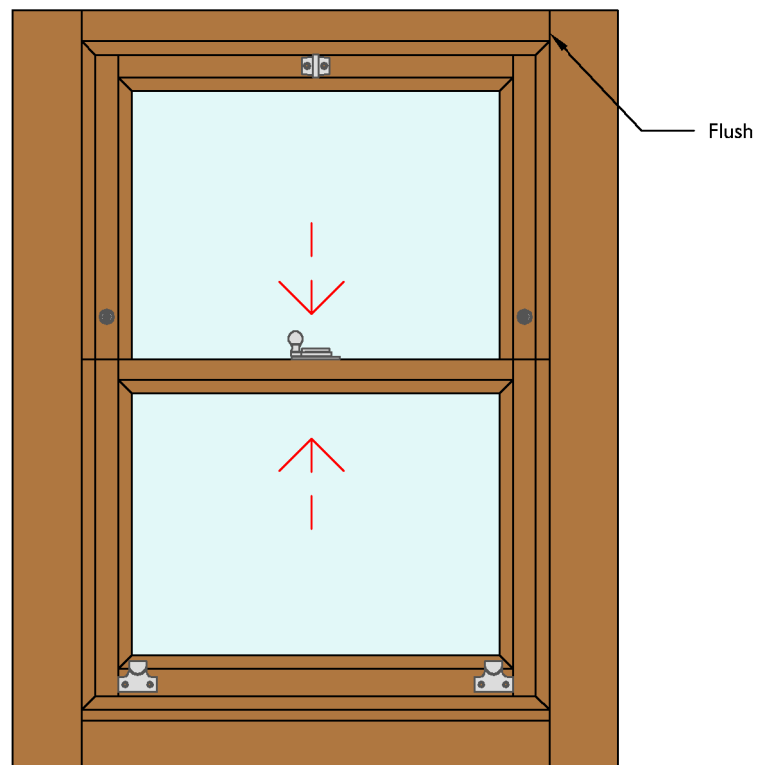


ELEVATIONS

Elevation 1 - Outside View (Scale 1:10)

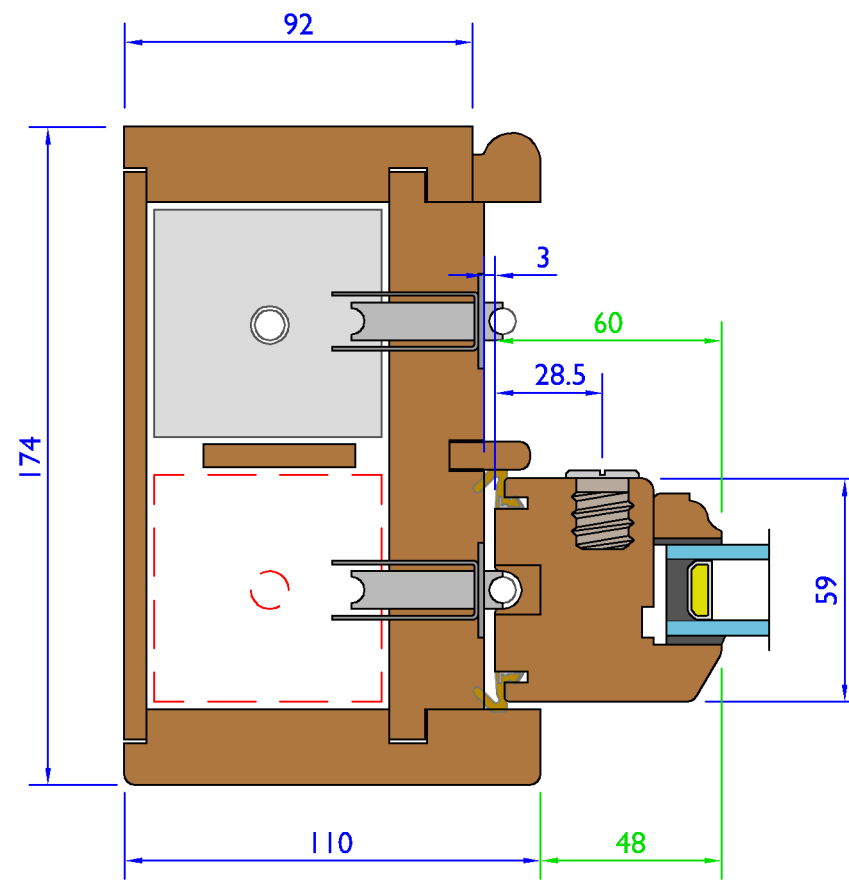


Elevation 2 - Inside View (Scale 1:10)

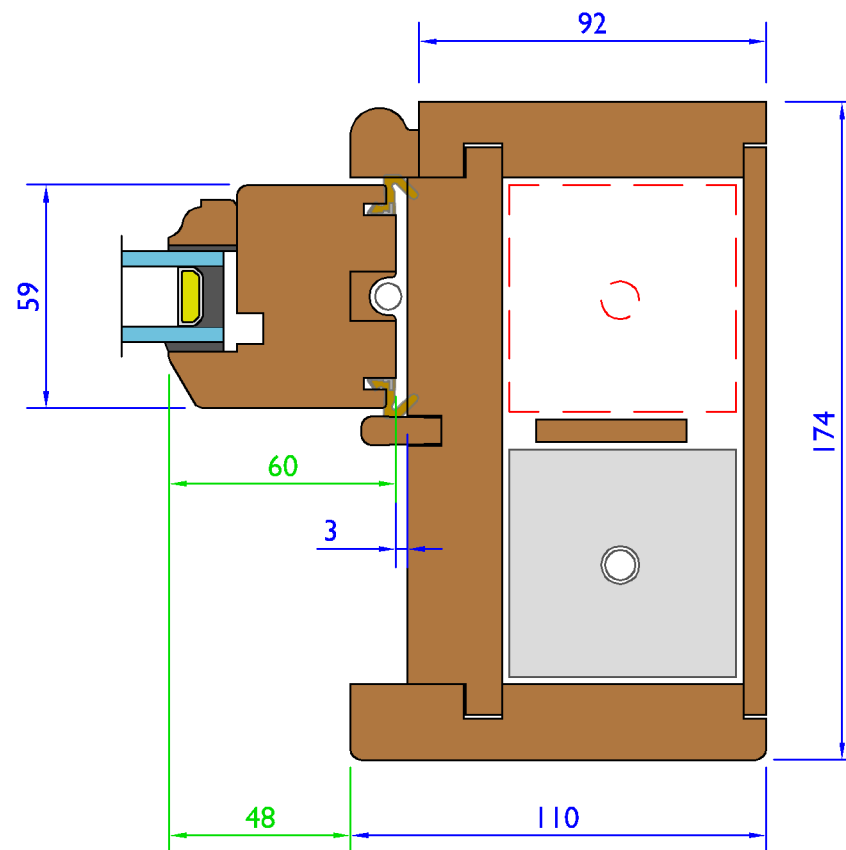


SECTIONS

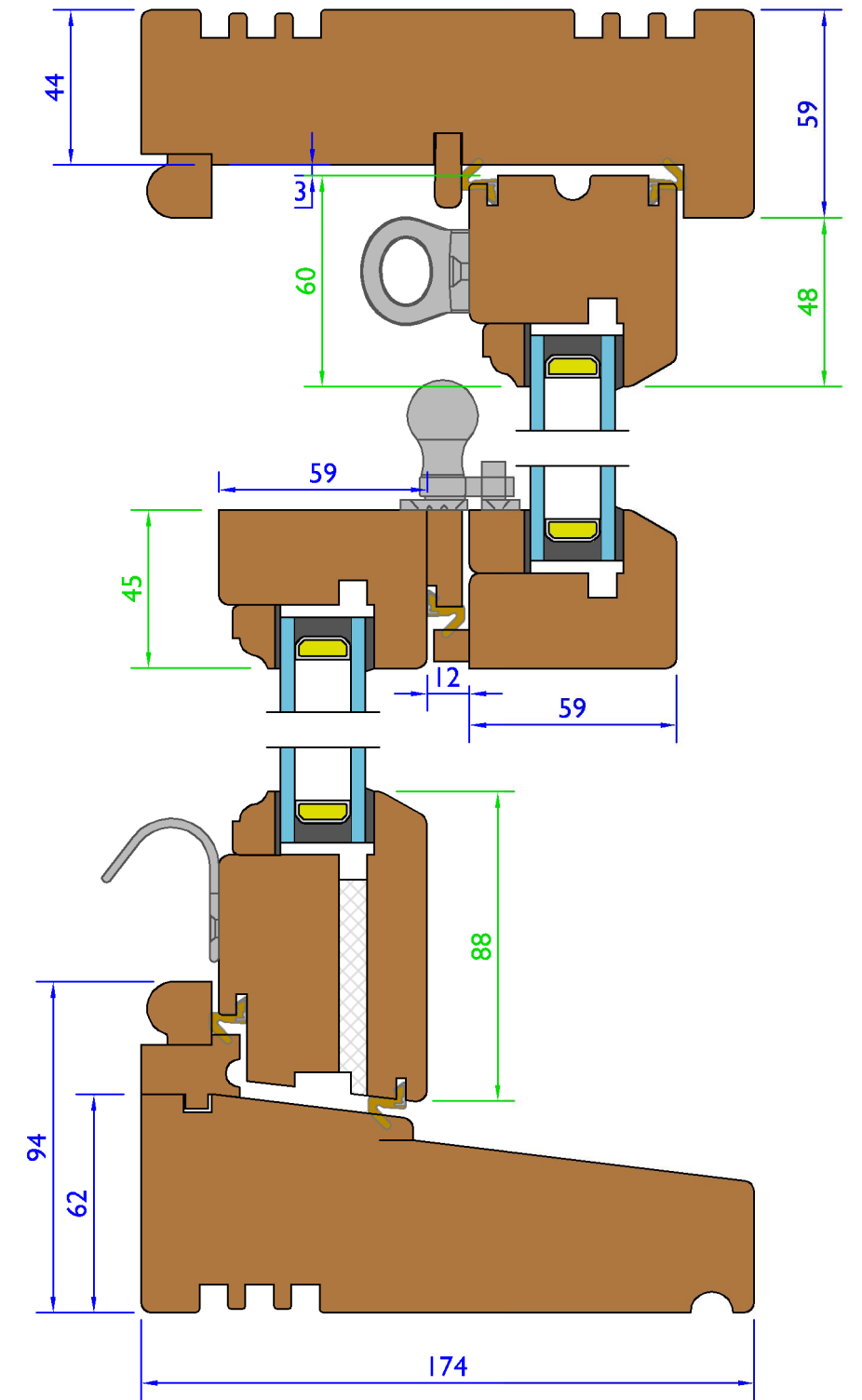
Section A-A - Upper Jamb (Scale 1:2)



Section C-C - Lower Jamb (Scale 1:2)



Section B-B - Head, Cill and Meeting Rails (Scale 1:2)



Drainage System

Variable Dimensions
(Dim shown is usually min)

Fixed Dimensions

Tolerances: All tolerances are to George Barnsdale Standard Tolerance definitions (see supporting document for more detail) unless stated on the drawing.
© George Barnsdale & Sons Ltd. All rights reserved. No part of this drawing may be reproduced without the permission of George Barnsdale & Son Ltd.

System: T-SI-174		
Title: Traditional - Box Sash Window (59mm)		
Scale:	Rev No:	Date:
As Shown	B	26-Mar-18
Drawn By:	Sheet No:	Status:
LH	1	Released

GEORGE BARNSDALE
Est. 1884
High Street, Donington, Spalding, Lincs. PE11 4TA
01775 823000
www.georgebarnsdale.co.uk