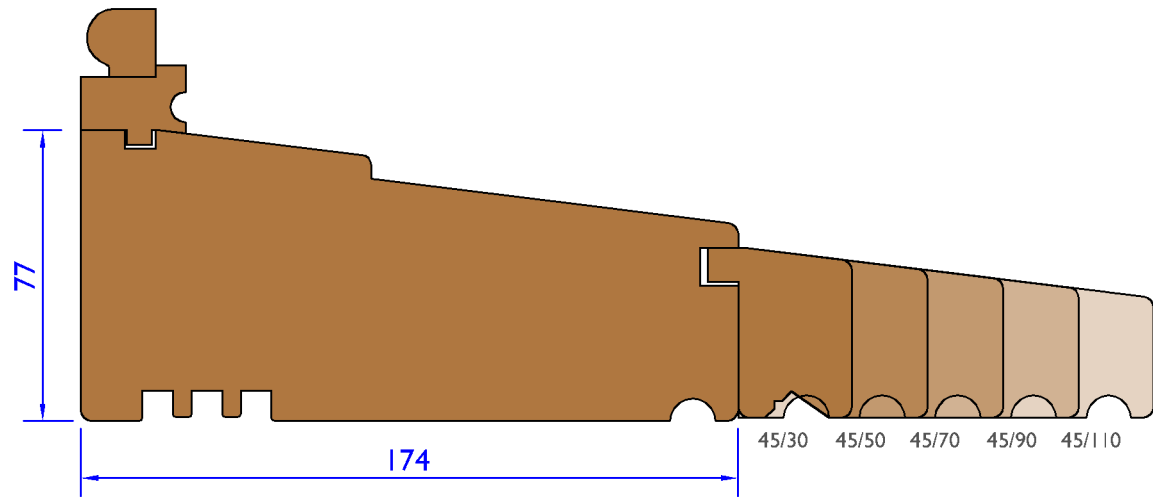
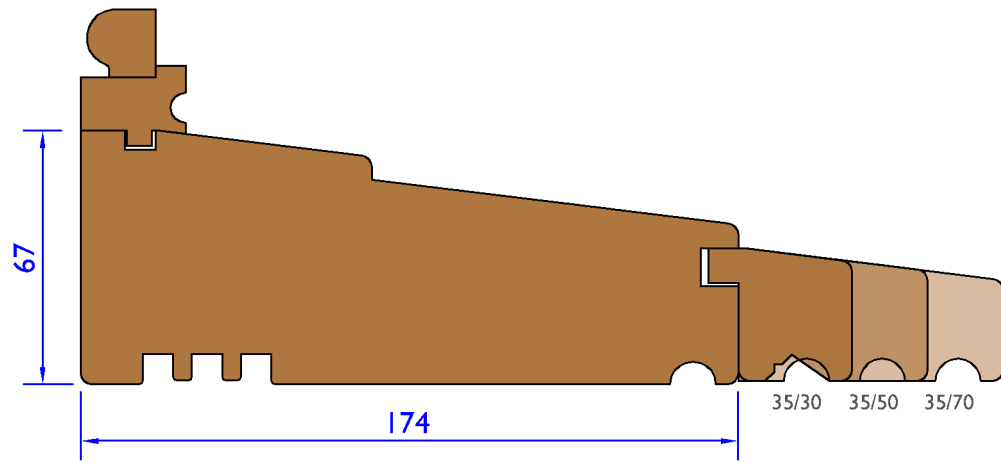


SASH AND FRAME OPTIONS

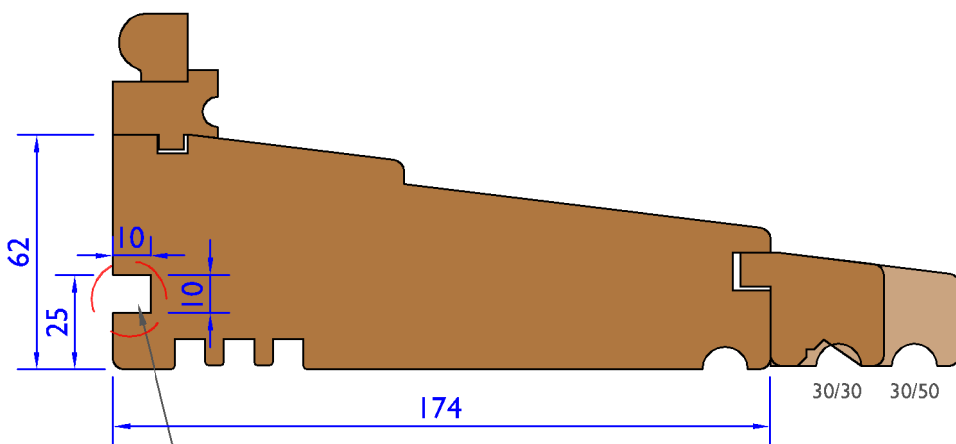
Cill Extension Option - 45mm - (Scale 1:2)



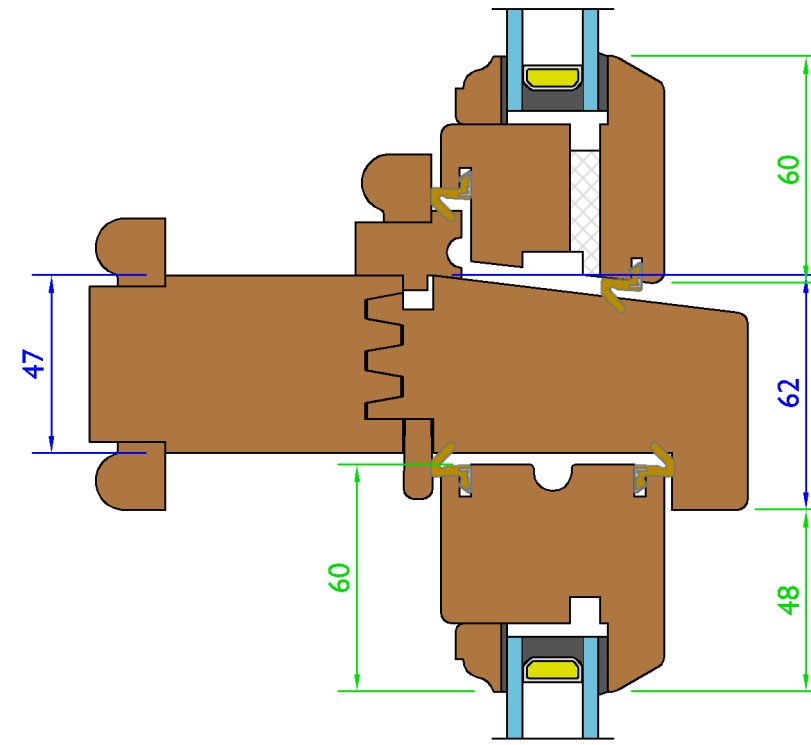
Cill Extension Option - 35mm - (Scale 1:2)



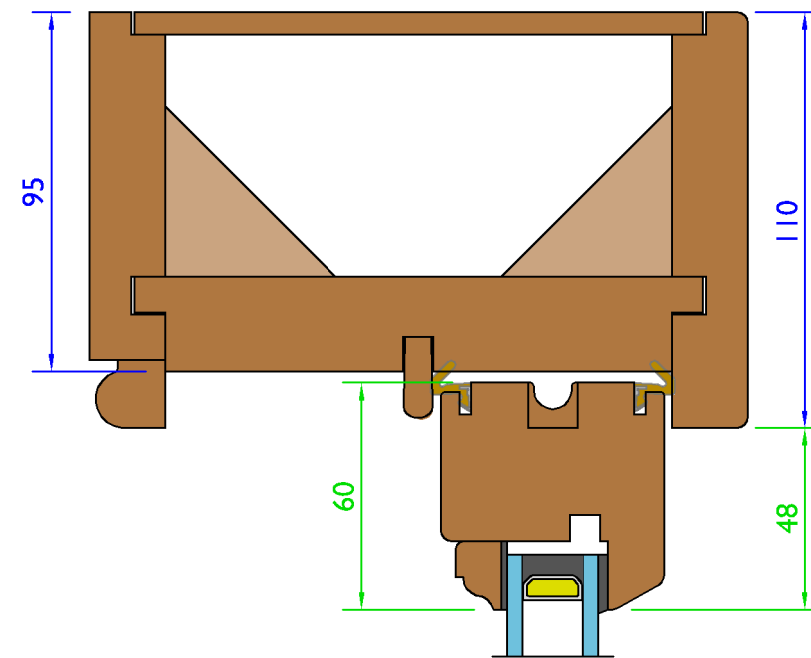
Cill Extension Option - 30mm - (Scale 1:2)



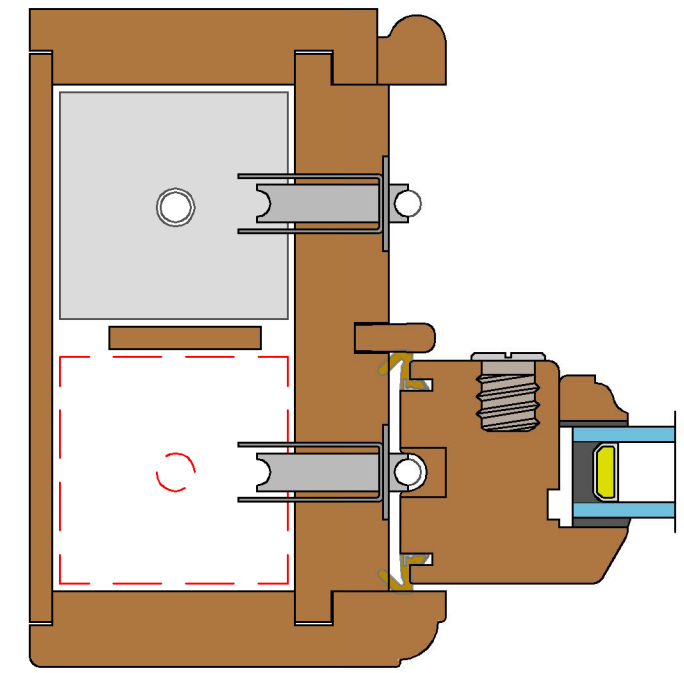
Transome Detail - Section D-D - (Scale 1:2)



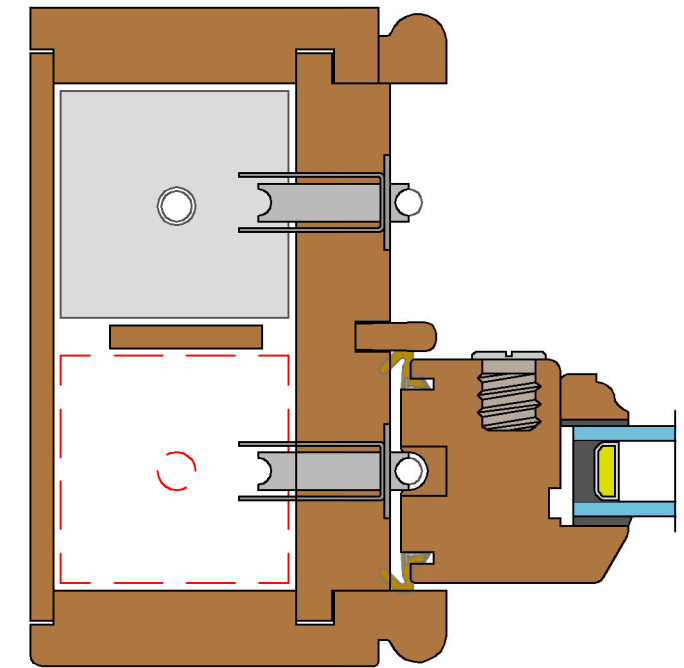
Box Head Option - (Scale 1:2)



Ovolo Frame Option- (Scale 1:2)



Bead Frame Option- (Scale 1:2)



Drainage System

Variable Dimensions
(Dim shown is usually min)

Fixed Dimensions

Tolerances: All tolerances are to George Barnsdale Standard Tolerance definitions (see supporting document for more detail) unless stated on the drawing.
© George Barnsdale & Sons Ltd. All rights reserved. No part of this drawing may be reproduced without the permission of George Barnsdale & Son Ltd.

System: T-SI-174		
Title: Traditional - Box Sash Window (59mm)		
Scale:	Rev No:	Date:
As Shown	B	26-Mar-18
Drawn By:	Sheet No:	Status:
LH	2	Released

GEORGE BARNSDALE
Est. 1884
High Street, Donington, Spalding, Lincs, PE11 4TA
01775 823000
www.georgebarnsdale.co.uk