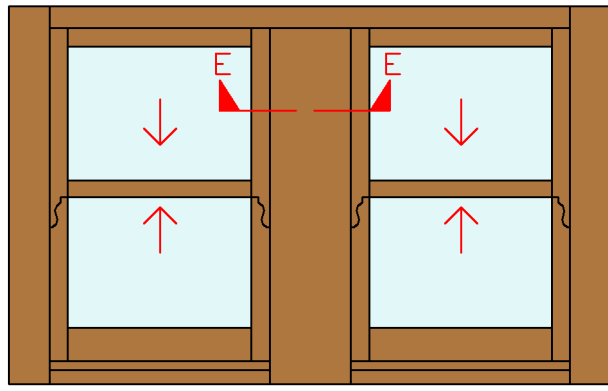
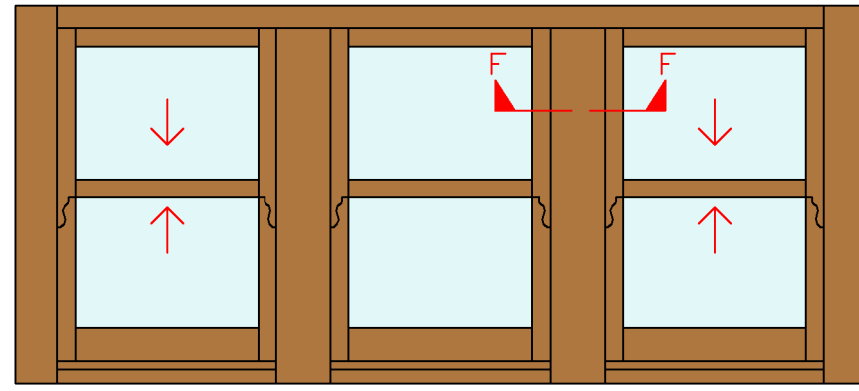


MULLIONS

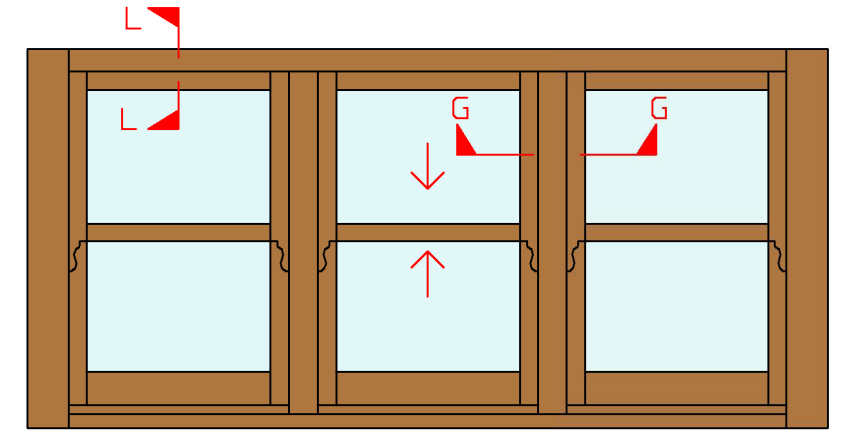
Elevation - Option A - Outside View (Scale 1:20)



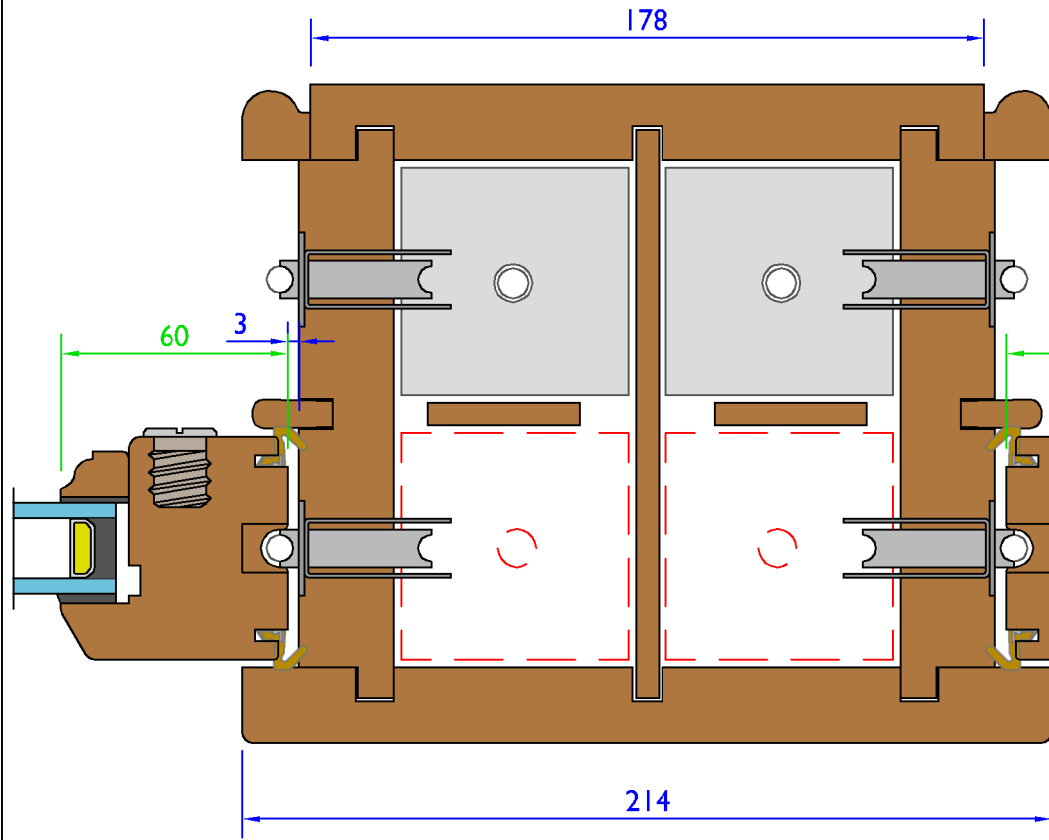
Elevation - Option B - Outside View (Scale 1:20)



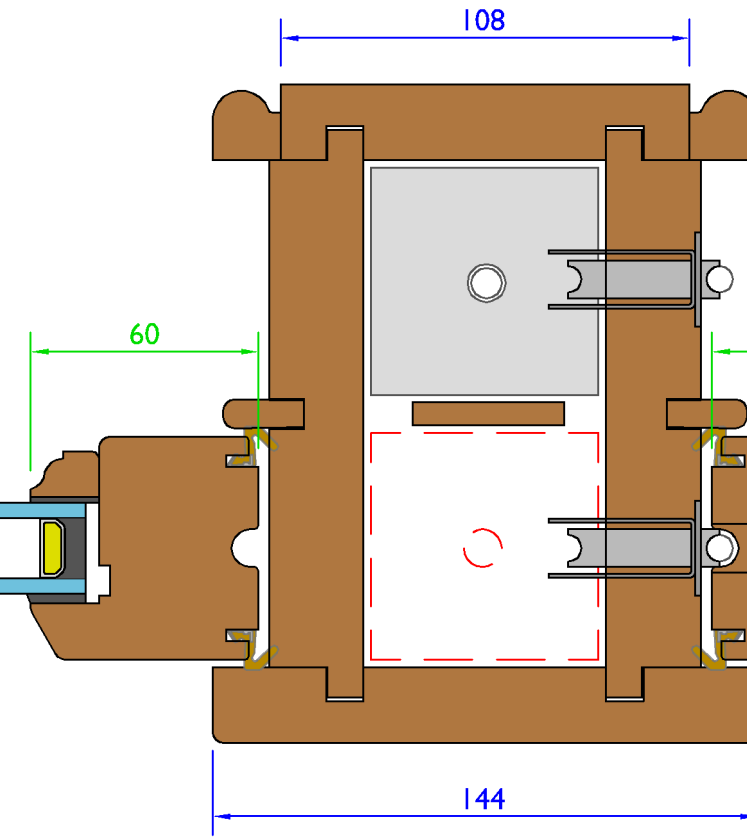
Elevation - Option C - Outside View (Scale 1:20)



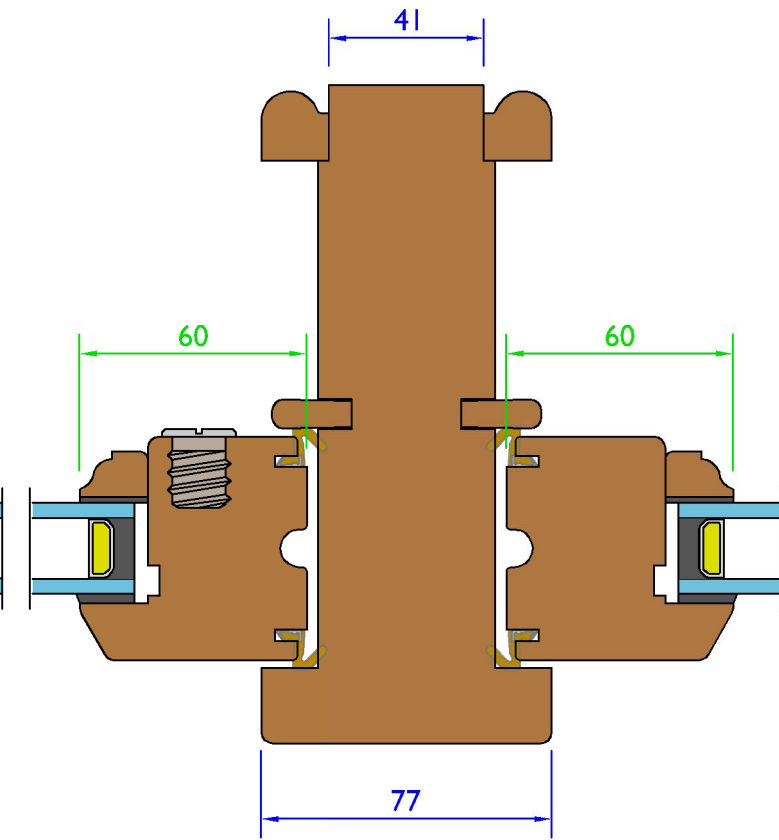
2 Box Mullion Detail - Option A - Section E-E - (Scale 1:2)



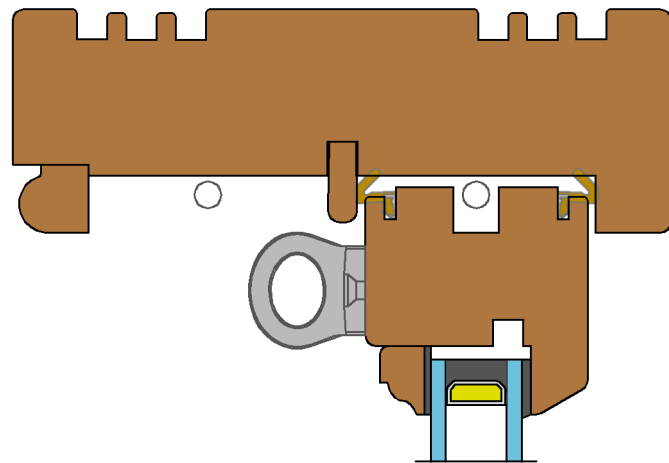
1 Box Mullion Detail - Option B - Section F-F - (Scale 1:2)



Solid Mullion Detail - Option C - Section G-G - (Scale 1:2)



Solid Head with Cord Option - Section L-L - (Scale 1:2)



Variable Dimensions
(Dim shown is usually min)

Fixed Dimensions

Tolerances: All tolerances are to George Barnsdale Standard Tolerance definitions (see supporting document for more detail) unless stated on the drawing.
© George Barnsdale & Sons Ltd. All rights reserved. No part of this drawing may be reproduced without the permission of George Barnsdale & Son Ltd.

System: T-SI-174		
Title: Traditional - Box Sash Window (59mm)		
Scale:	Rev No:	Date:
As Shown	B	26-Mar-18
Drawn By:	Sheet No:	Status:
LH	4	Released

GEORGE BARNSDALE
Est. 1884
High Street, Donington, Spalding, Lincs, PE11 4TA
01775 823000
www.georgebarnsdale.co.uk