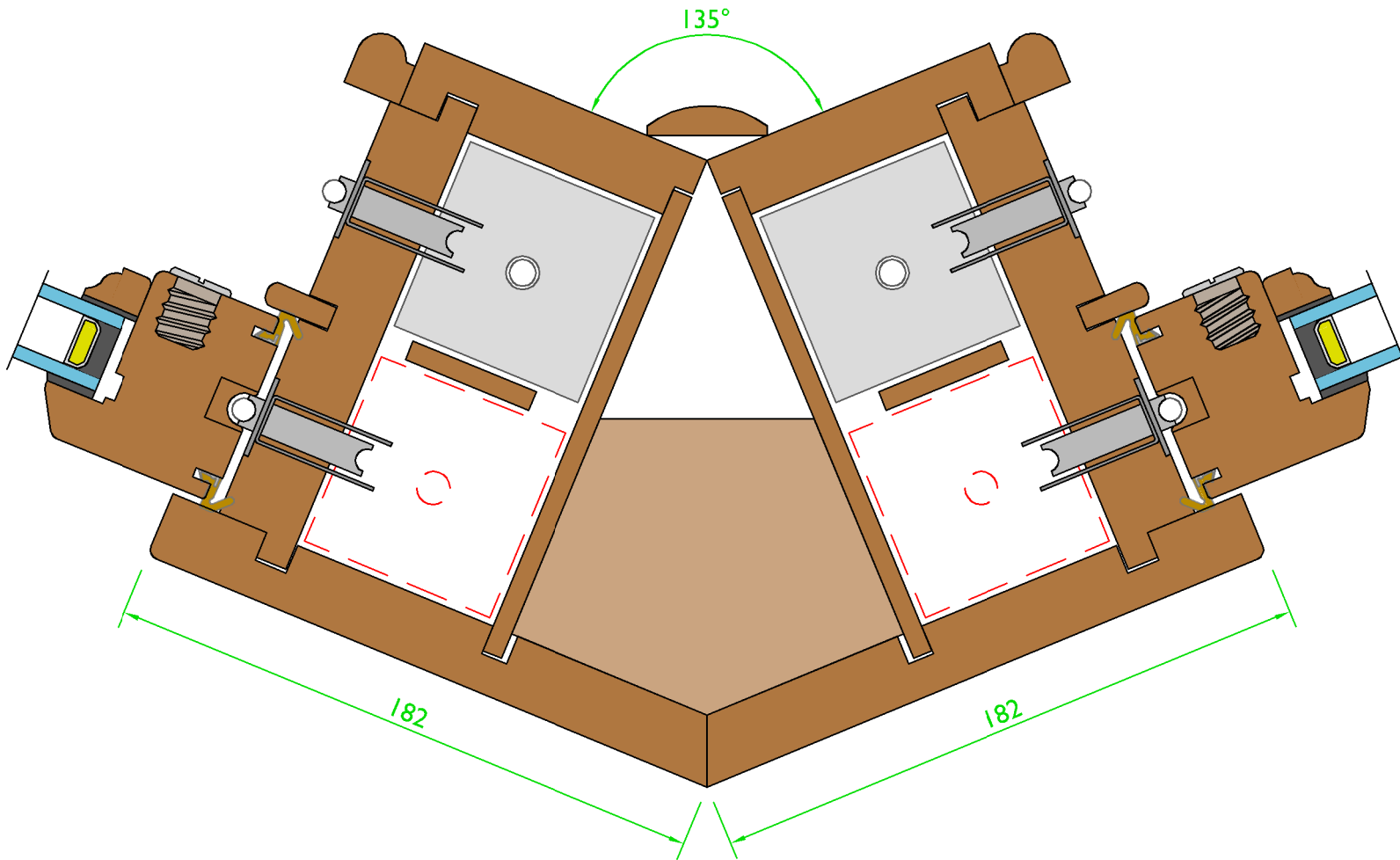
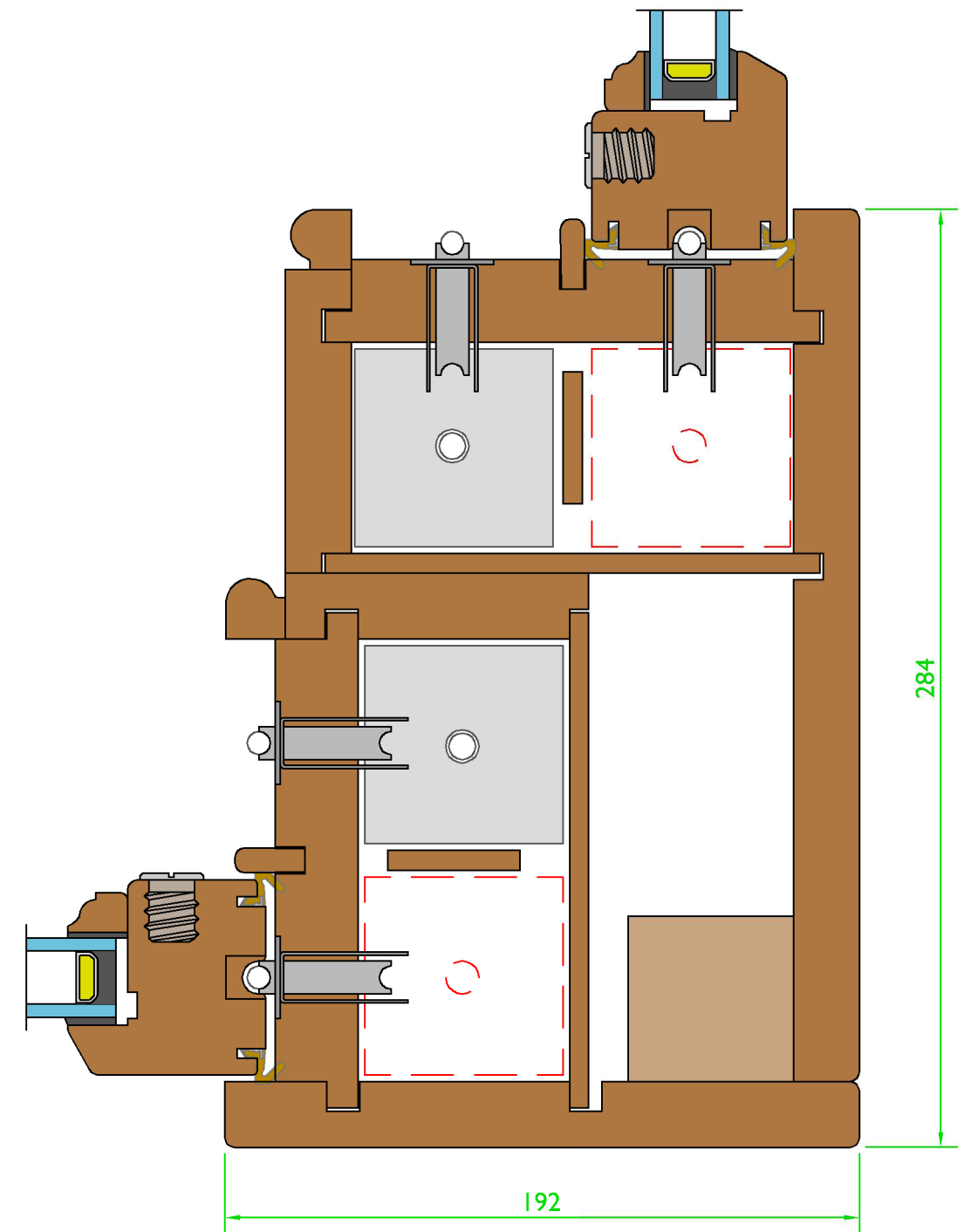


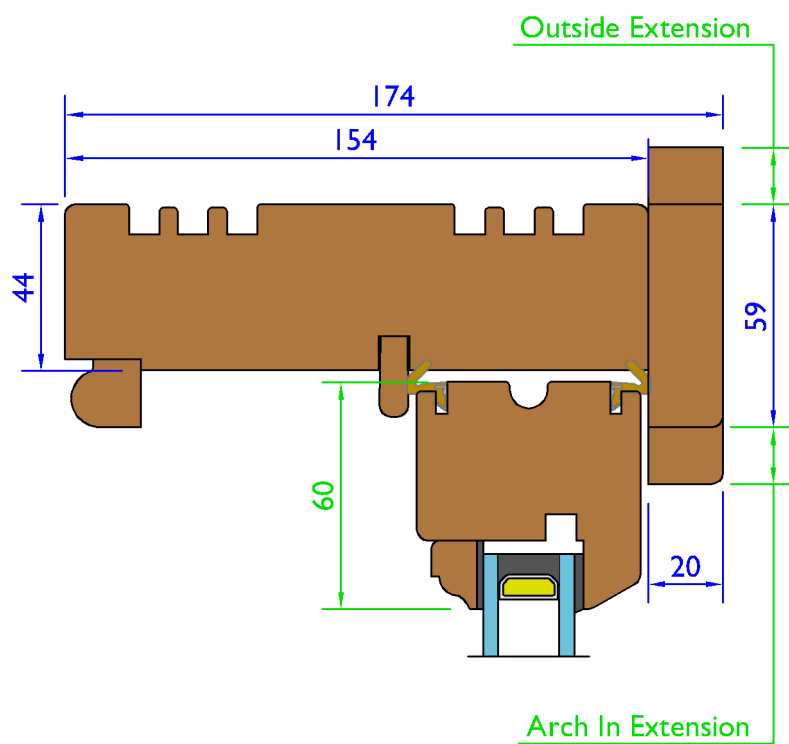
Angular Bay Corner Post Option - (Scale 1:2)



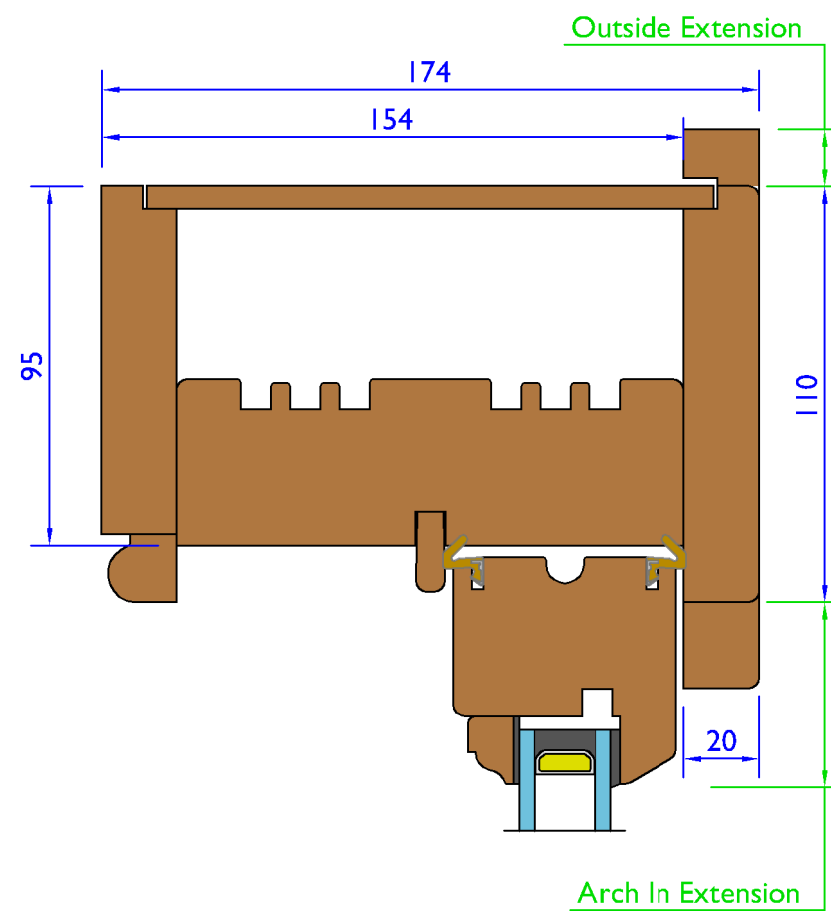
Square Bay Corner Post Option - (Scale 1:2)



Solid Head Extended Lining Option - (Scale 1:2)



Box Head Extended Lining Option - (Scale 1:2)



— Variable Dimensions
(Dim shown is usually min)

— Fixed Dimensions

Tolerances: All tolerances are to George Barnsdale Standard Tolerance definitions (see supporting document for more detail) unless stated on the drawing.
© George Barnsdale & Sons Ltd. All rights reserved. No part of this drawing may be reproduced without the permission of George Barnsdale & Son Ltd.

System: T-SI-174		
Title: Traditional - Box Sash Window (59mm)		
Scale:	As Shown	Rev No: B
Drawn By:	LH	Date: 26-Mar-18
		Sheet No: 6
		Status: Released

GEORGE BARNSDALE
Est. 1884
High Street, Donington, Spalding, Lincs. PE11 4TA
01775 823000
www.georgebarnsdale.co.uk