

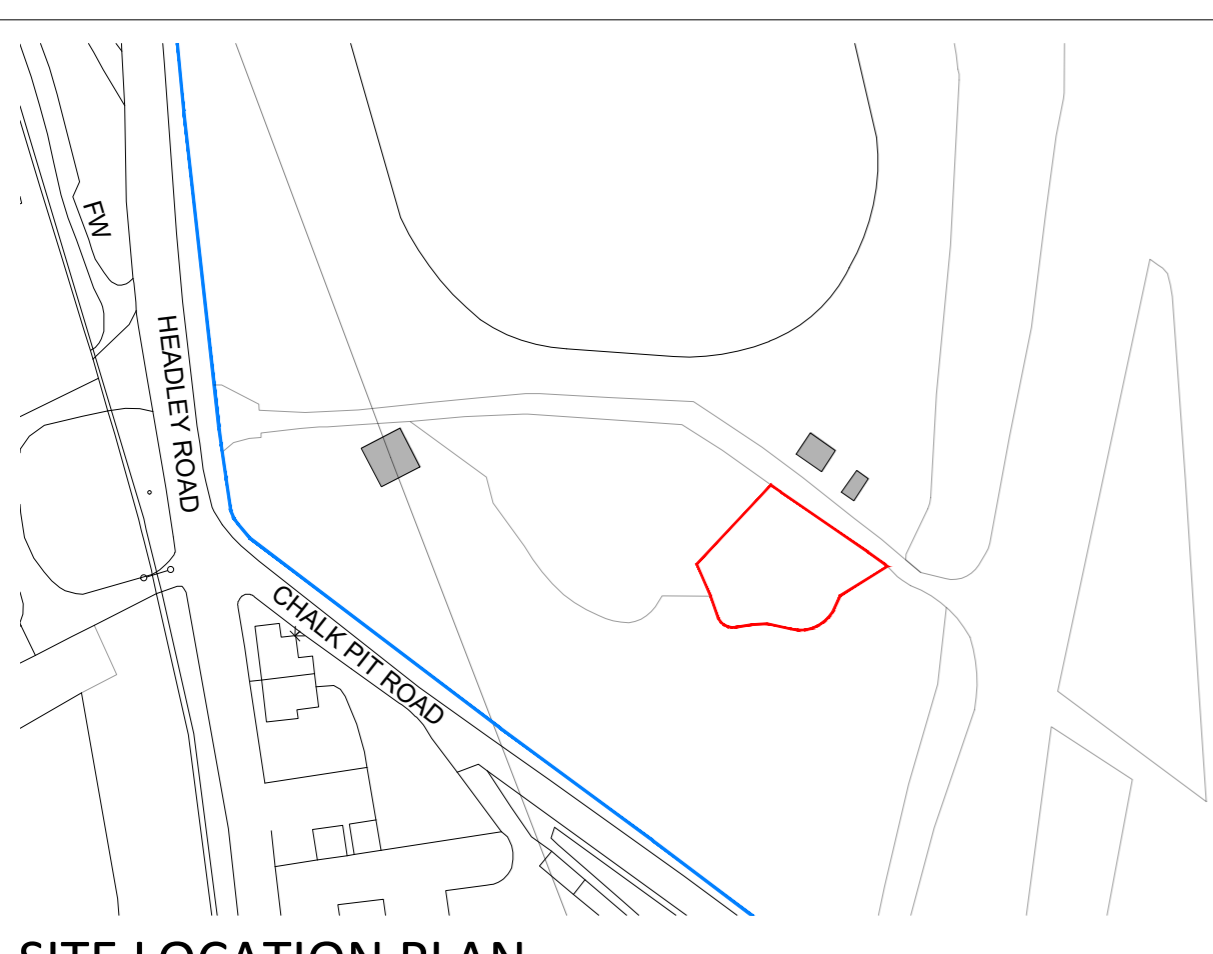
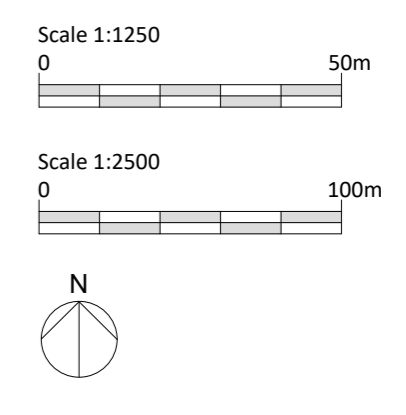
**NOTES**

Do not scale dimensions from this drawing except for Local Authority planning purposes.

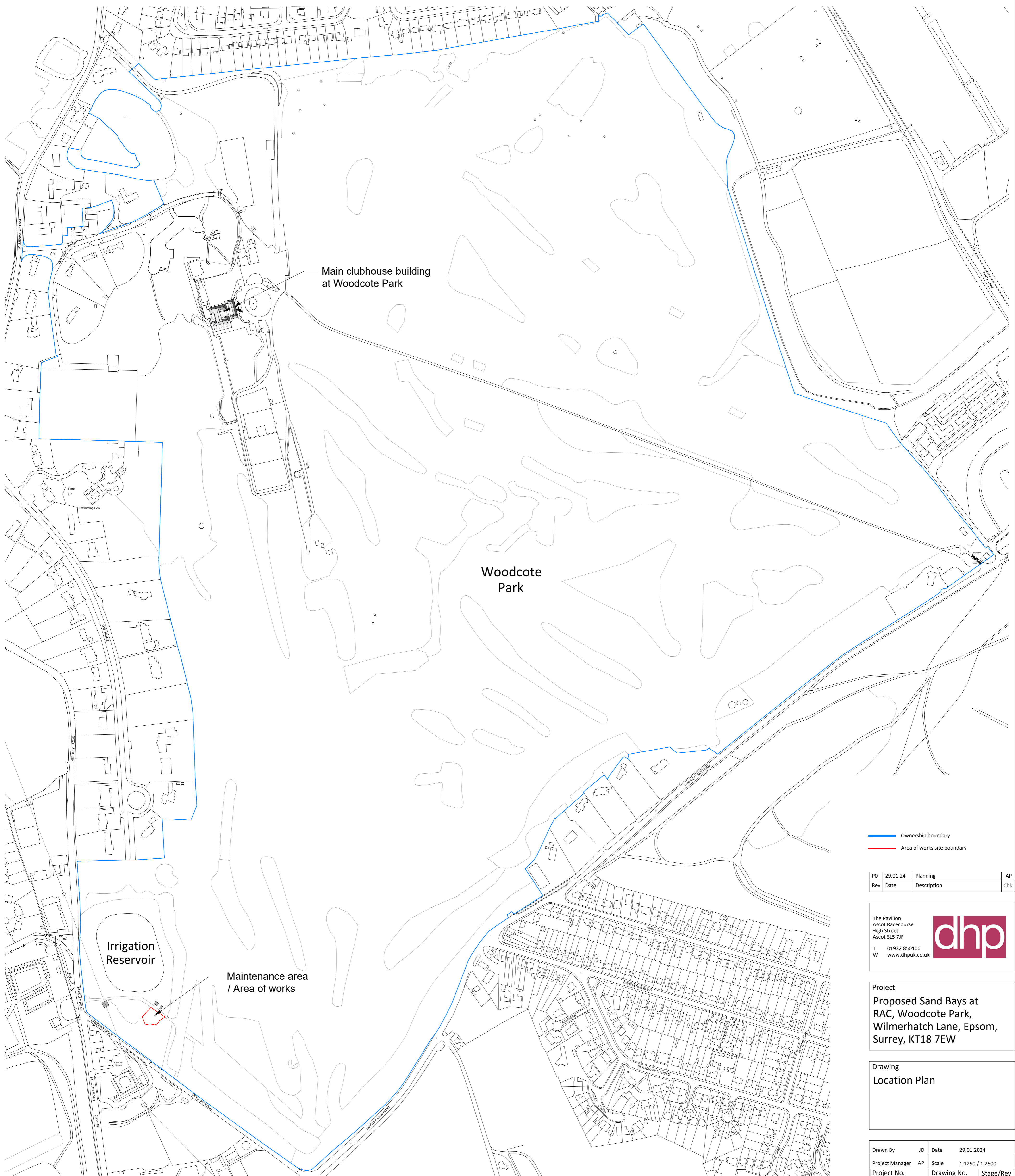
The contractor is responsible for checking dimensions, tolerances and references. Any discrepancies to be verified with the Project Manager before proceeding with the works.

This drawing is copyright to DHP and may not be reproduced in any form without prior written consent.

All current drawings and specifications for the project must be read in conjunction with the designers hazard and environment assessment record.



**SITE LOCATION PLAN**  
1:1250



**OVERALL LOCATION PLAN**  
1:2500

— Ownership boundary  
— Area of works site boundary

PO	Date	Description	AP
29.01.24	29.01.24	Planning	AP
Rev	Date	Description	Chk

The Pavilion  
Ascot Racecourse  
High Street  
Ascot SLS 7JF

T 01932 850100  
W www.dhpuk.co.uk



**Project**  
Proposed Sand Bays at  
RAC, Woodcote Park,  
Wilmerhatch Lane, Epsom,  
Surrey, KT18 7EW

**Drawing**  
Location Plan

Drawn By	JD	Date	29.01.2024
Project Manager	AP	Scale	1:1250 / 1:2500
Project No.	6839	Drawing No.	1000
		Stage/Rev	P/0