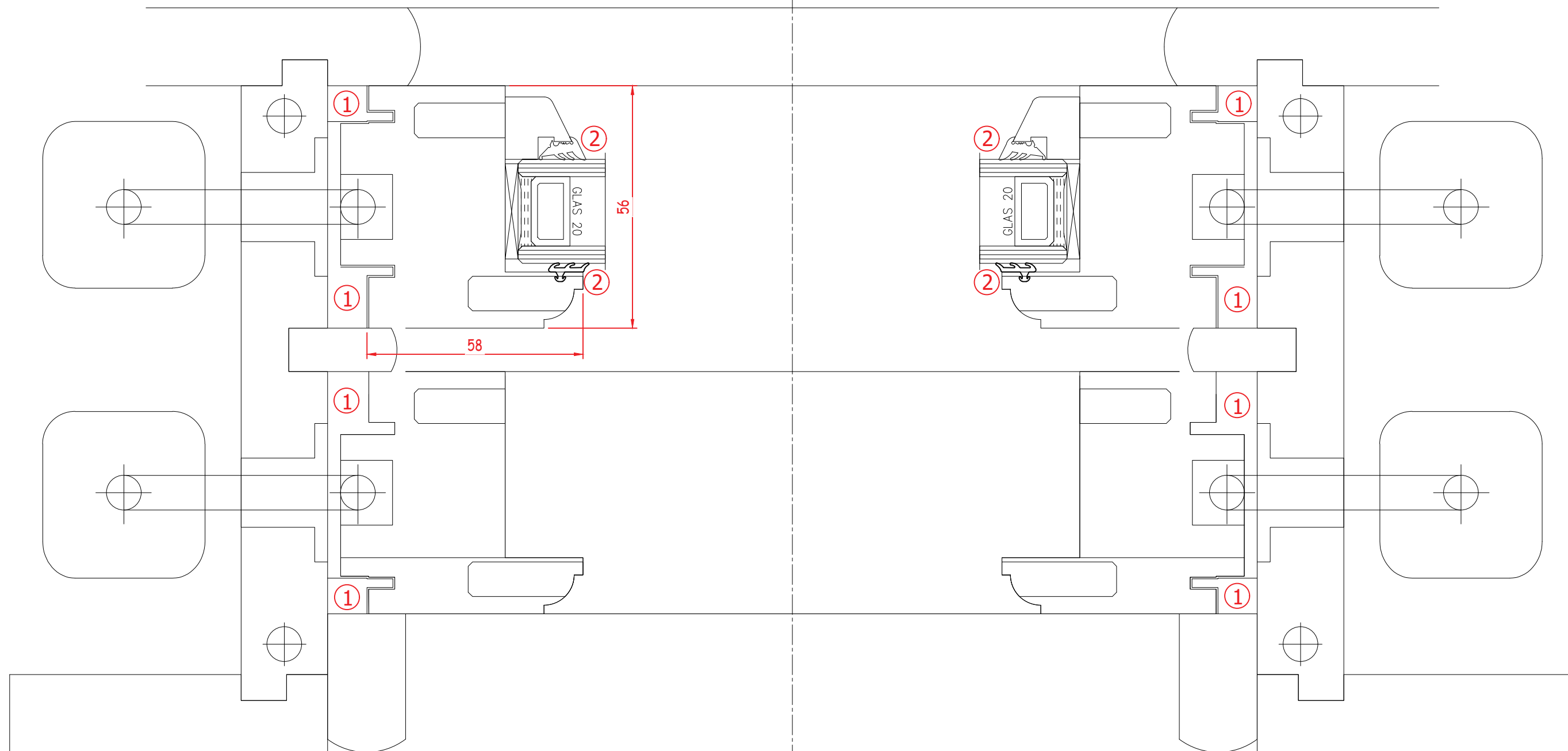


TENON JOINT AND DOWEL JOINT OPTIONS NEEDED FOR

CORDS & WEIGHTS

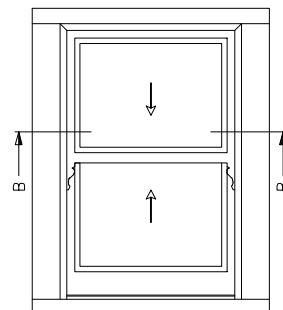
SASH, FRAME DOWEL TO CILL ONLY



SIDE SECTION THRU' CASE.

PROPOSED SASH & CASE WINDOW SECTION

SCALE : 1:1



NOTES:

DARK RED MERANTI HARDWOOD.
 ARGON GAS FILLED CAVITY.
 4-16-4 GLAZING.
 PILKINGTON GLASS.
 LOW E TOUGHENED.
 WARM EDGE SPACER BAR.

- ① - DEVENTER SPV-124-18F GASKET.
- ② - DRY GLAZING GASKET.



<p>Mozolowski & Murray Conservatories Orangeries Sun Lounges Garden Rooms 2-8 Clashburn Way Bridgend Industrial Estate Kinross KY13 8GA Telephone (01577) 864706 www.mozmurray.co.uk</p>	<p>Proposed Replacement Windows and Doors at Woodside Farmhouse, BEITH, KA15 2JF for Ms C Tulloch</p>		
	<p>Drawn: s. batrick</p>	<p>Date: 27/02/24</p>	<p>Drawing No.: 12042 - 09</p>

<p>Revision</p>	<p>Scale: as noted</p>	<p>Drawing No.: 12042 - 09</p>	<p>Date: 27/02/24</p>	<p>Drawn: s. batrick</p>
-----------------	----------------------------	------------------------------------	---------------------------	------------------------------