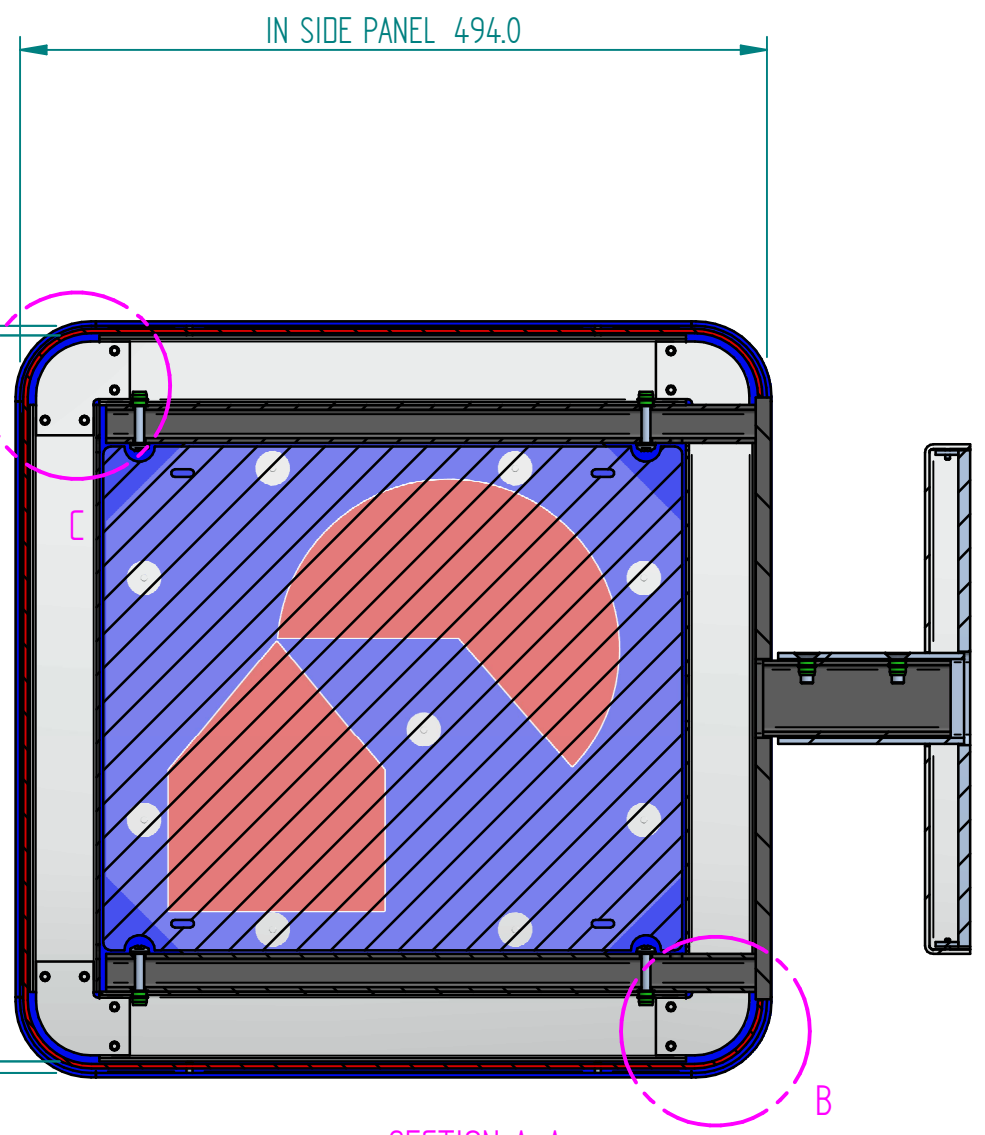
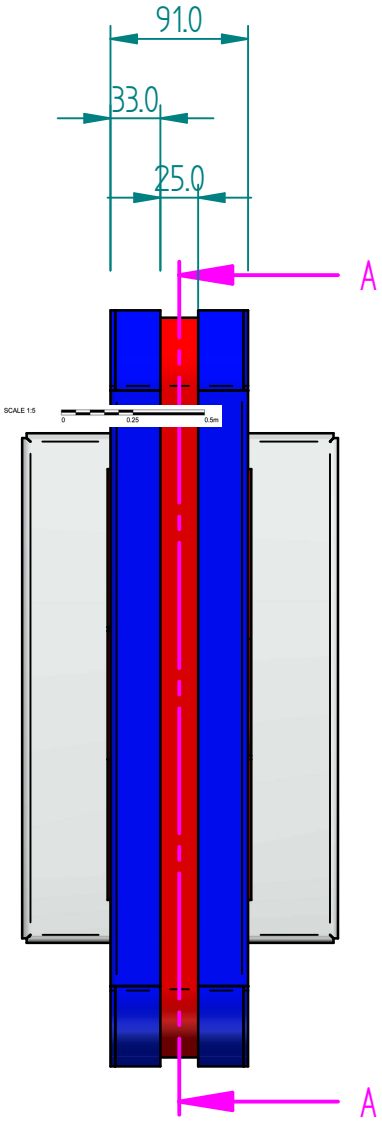
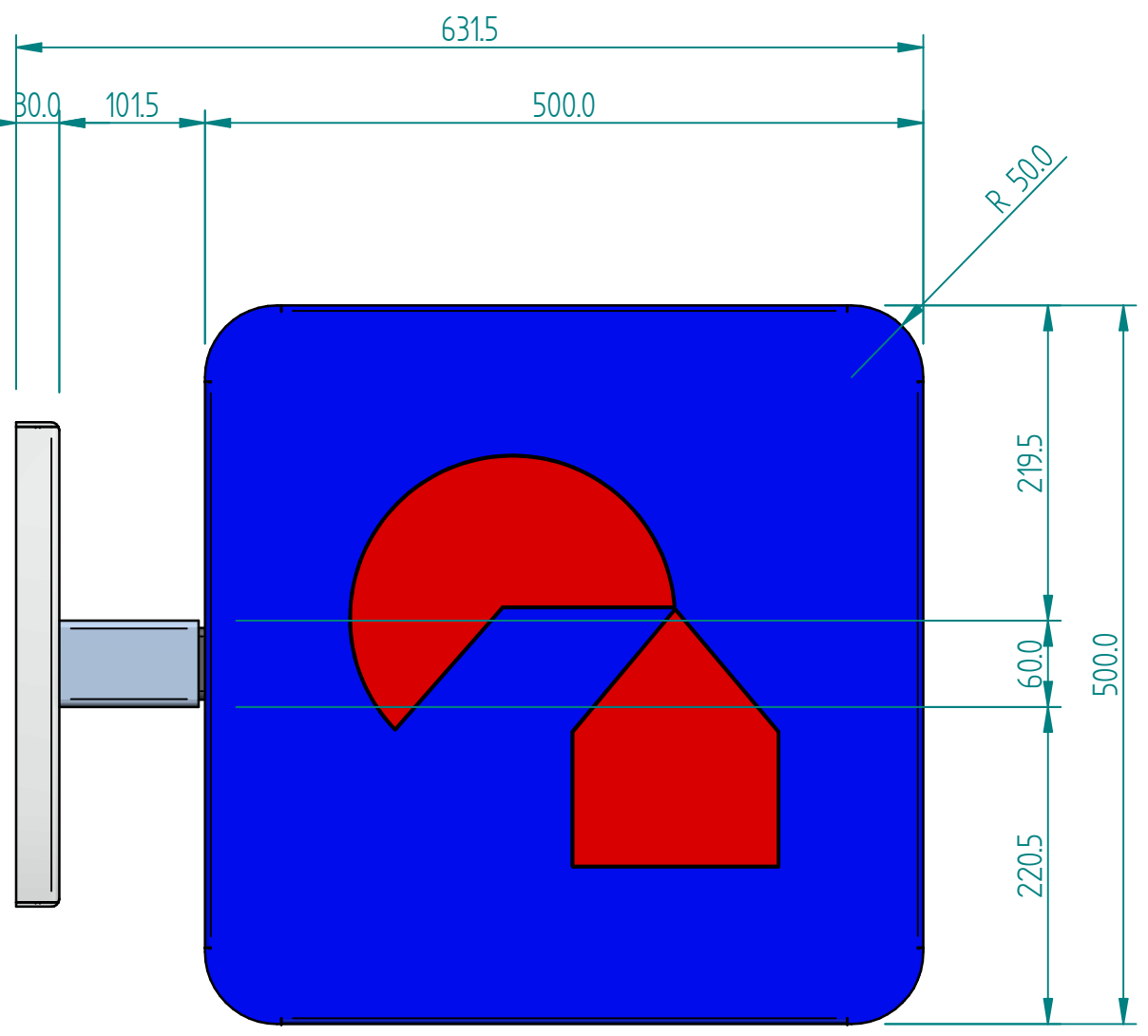
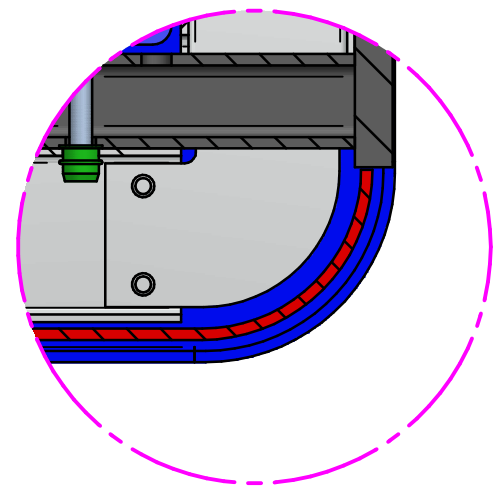
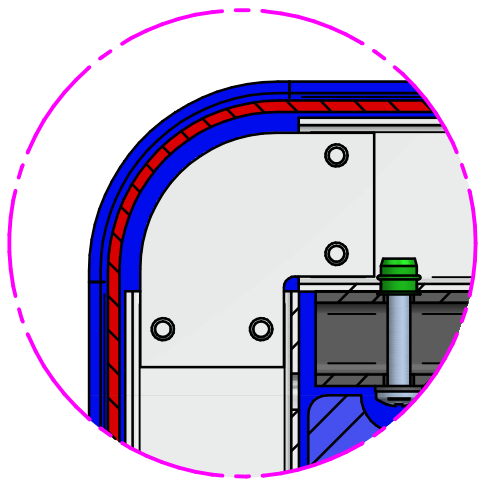
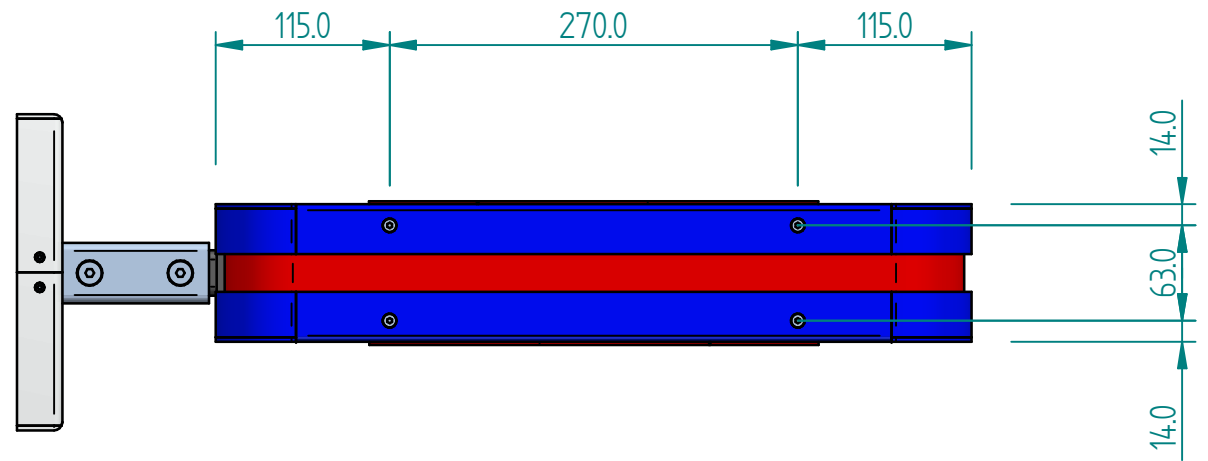
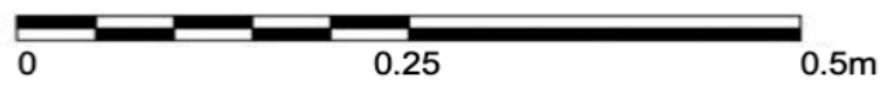


Revisions			
Rev No	Date	Brief Description	Actioned
01	18/08/2023	FIRST ISSUE	TH



SCALE 1:5



THIS DRAWING IS THE PROPERTY OF OMEGA SIGNS LTD AND MUST NOT BE PASSED TO THIRD PARTIES WITHOUT PRIOR CONSENT. ANY UNAUTHORISED USE OF THIS DRAWING WILL RESULT IN A DESIGN FEE BEING CHARGED.

ALL DIMENSIONS IN MILLIMETRES (mm) UNLESS STATED OTHERWISE  
 DECIMAL X.X ± 0.1  
 DECIMAL X.XX ± 0.05  
 ANGLE X.Xº ± 0.1  
 THIRD ANGLE PROJECTION

SCALE @ A3: 1:5  
 SHEET: SHEET 2 OF 3  
 DATE: 31/07/2023

CLIENT: NATIONWIDE  
 DRAWN BY: ian wilson  
 APPROVED BY: Tom Howley

MATERIAL:  
 TREATMENT:  
 MASS: 17.471 kg

REV NO: 01

DRAWING NO: 30093\_PR02\_A01  
 TITLE: ARRGT-GENERAL ASSEMBLY

ASSY / ELEC