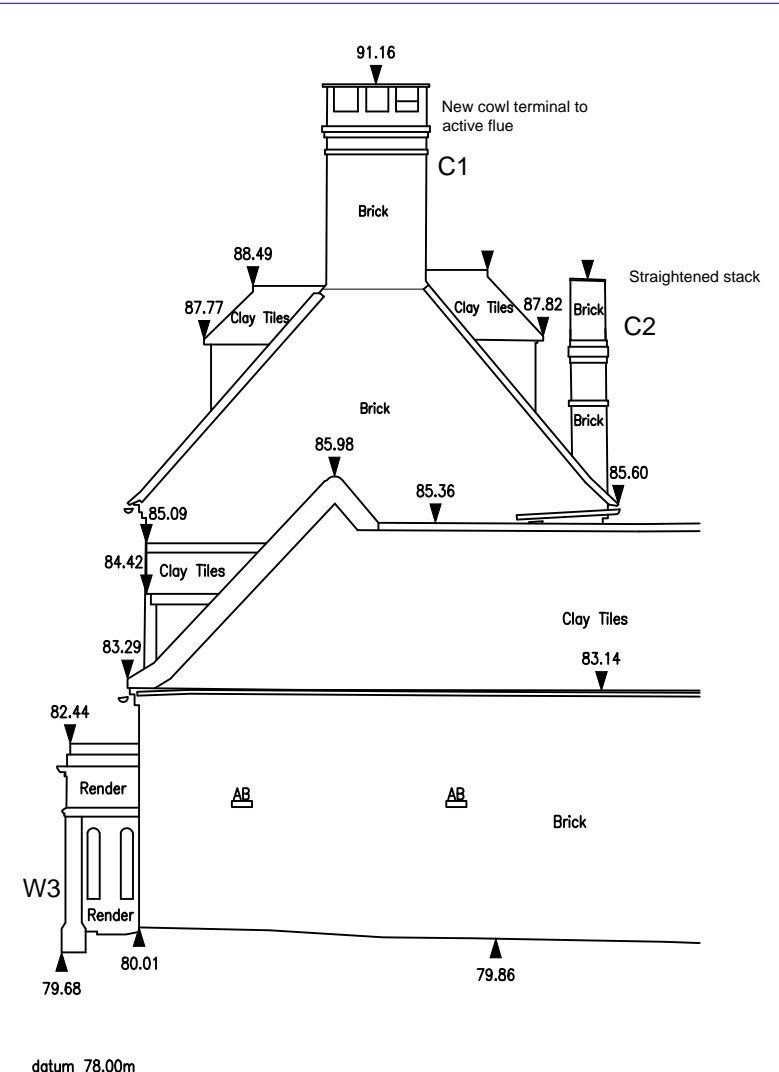
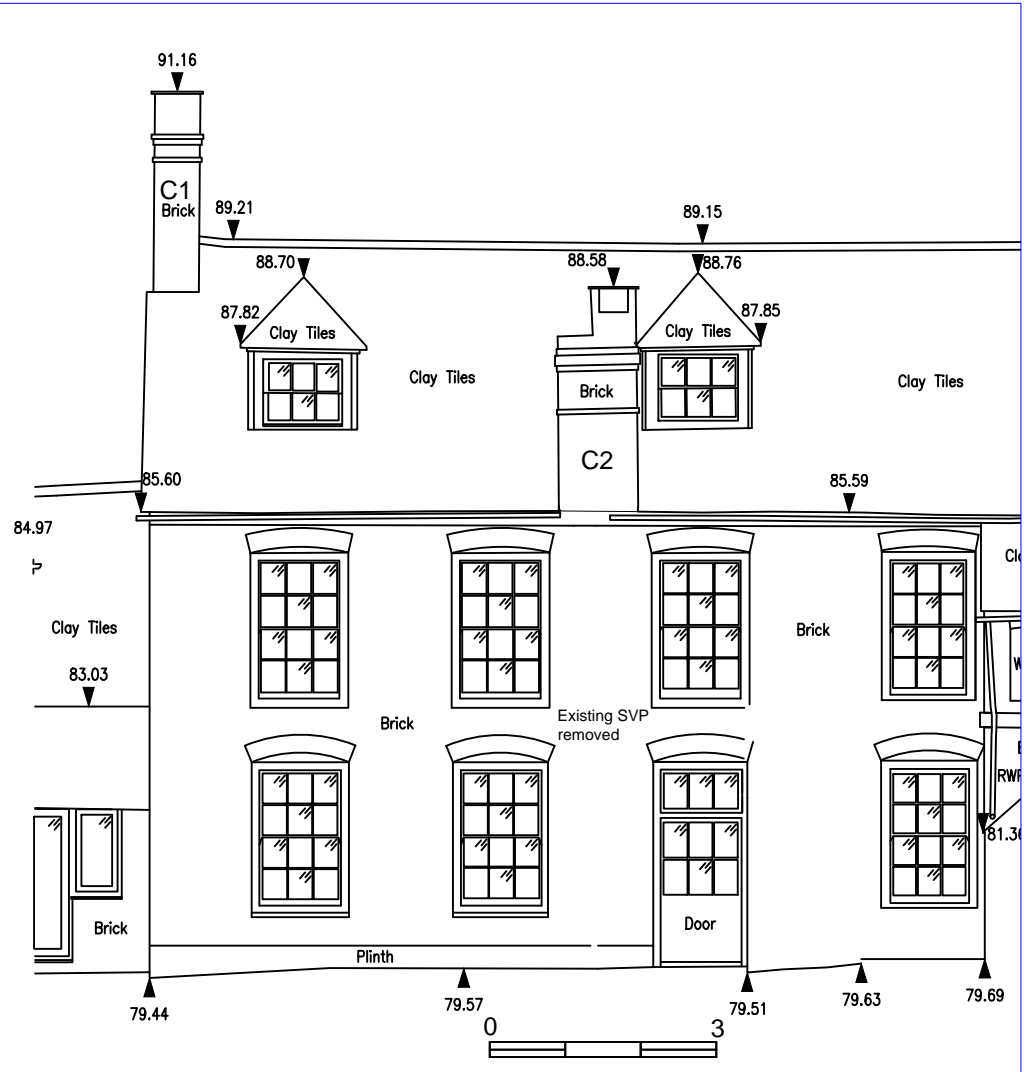


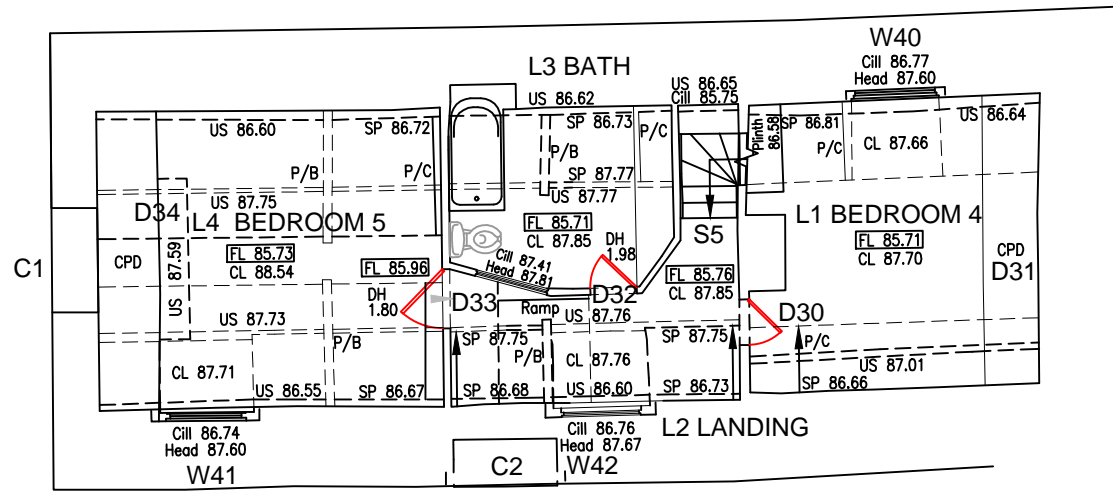
PART NORTH WEST ELEVATION



PART SIDE ELEVATION



PART REAR ELEVATION



ATTIC FLOOR

NOTICE
 1) This drawing is copyright property of Pegley D'Arcy Limited and may not be copied, transmitted or otherwise used without express, written permission.
 2) As a draft layout, any dimensions and levels are to be checked on site prior to any works.
 3) Any discrepancies or queries are to be resolved before progressing any works on site.
 4) All works to conform to approved drawings and specification
 5) Errors and omissions excepted

6580 - 149 23 January 2024
 PROPOSAL 1:100 @ A3
 55 WELL STREET
 BUCKINGHAM MK18 1EP
 ROYAL INSTITUTE OF BRITISH ARCHITECTS CHARTERED PRACTICE

