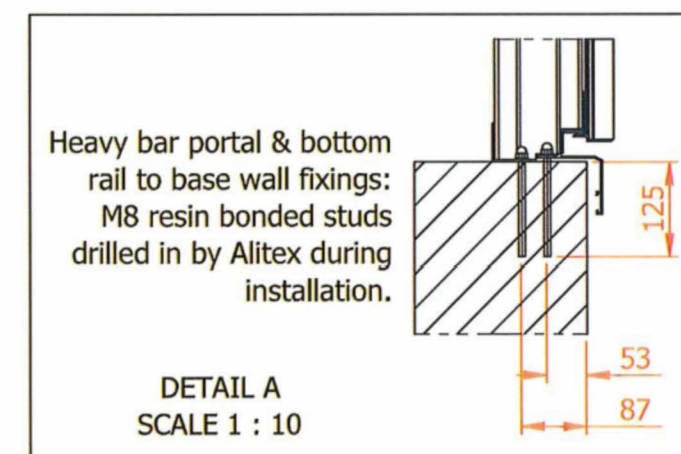
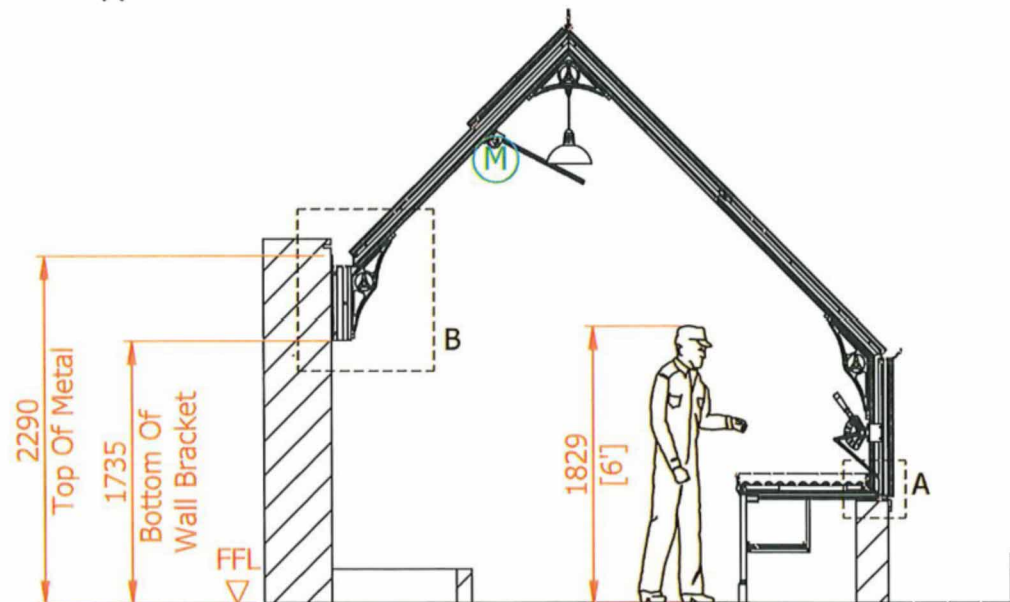
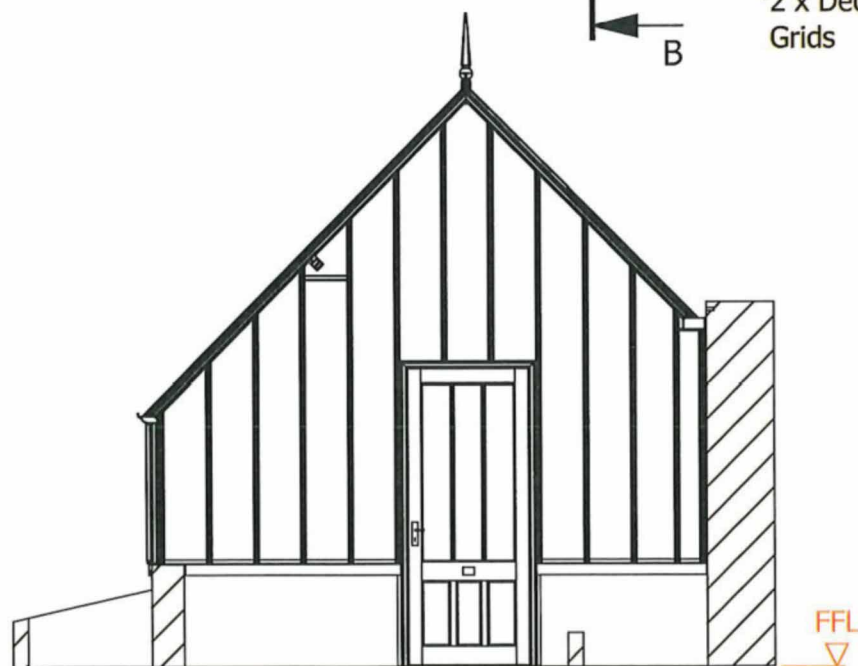
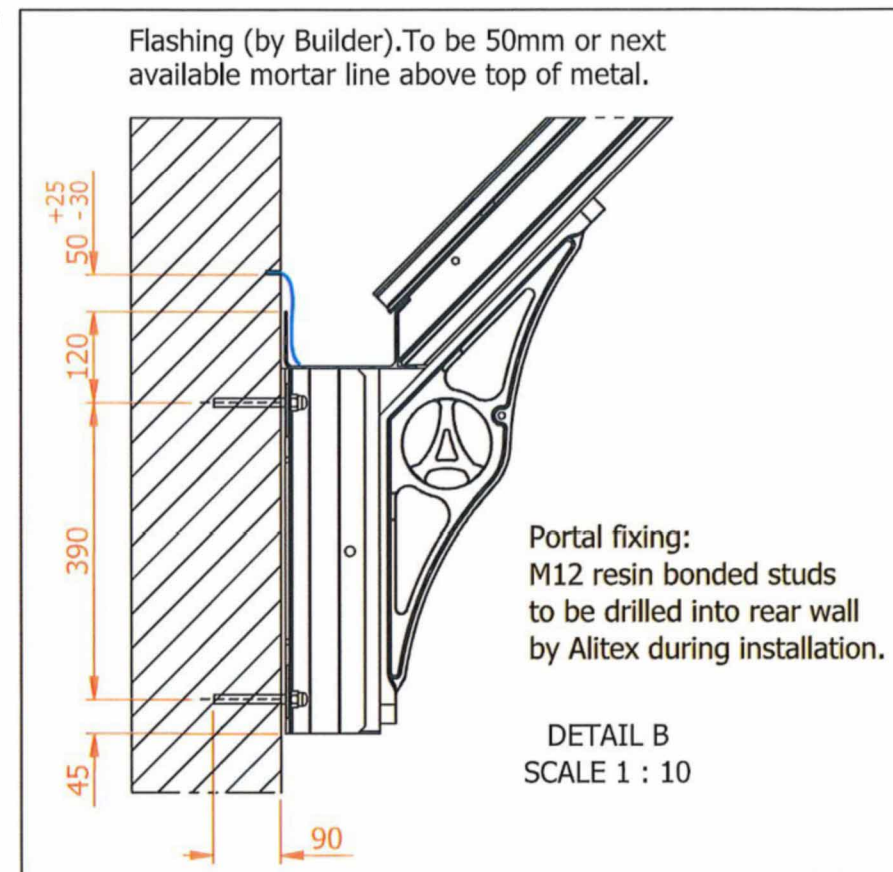
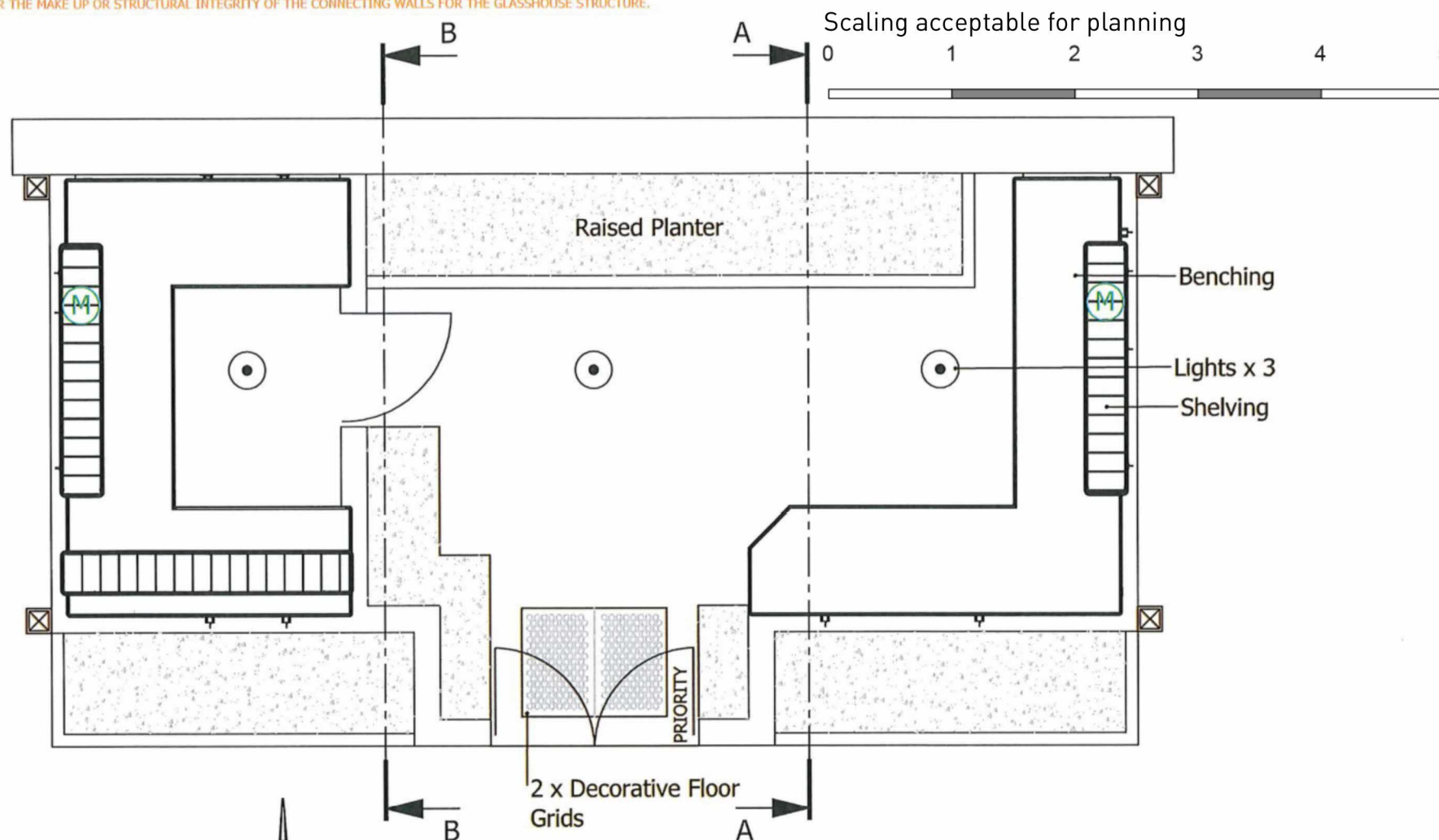


ALITEX ARE NOT LIABLE FOR THE MAKE UP OR STRUCTURAL INTEGRITY OF THE CONNECTING WALLS FOR THE GLASSHOUSE STRUCTURE.

**IF IN DOUBT ASK**



- Sheet 1 - Overall Sizes.
- Sheet 2 - Internal Details.
- Sheet 3 - Base Details.
- Sheet 4 - Base Details.
- Sheet 5 - Builders Information.

- ROOF MOTOR
- DRAIN/GULLEY
- GRAVEL/SOIL
- FINISHED FLOOR LEVEL

**DESIGN FOR CONSTRUCTION**

ISSUED FOR PLANNING CONSTRUCTION OR DESIGN.  
SPECIFICATION HAS BEEN CONFIRMED.

CUSTOMER APPROVAL TO PROCEED WITH DESIGN.  
Please sign here:

Please print name here:

 GREENHOUSES AND CONSERVATORIES		Internal Details Traditional 3/4 Span Greenhouse with Double Lobby And Partition. 45° Roof Pitch and 315mm Bay Spacing		
		DRAWN AM	DATE 09/10/23	SCALE 1:50 @ A3
CHECKED LC	CUSTOMER / ORDER No. Mr & Mrs Boughton, Orchard House.		Sheet 2 of 5 32214	