

# JAG Services UK Ltd.

CATERING EQUIPMENT, CANOPIES, WOK COOKERS, DUCTING, FANS,  
EXTRACTION SYSTEMS, GAS INTERLOCKS, FANS AND DUCT CLEANING,  
SERVICING AND ELECTRICAL WORK

Reg. Office:  
4, Norman Way, Bedhampton,  
Havant, Hampshire, PO9 3PH

Glenn: 07775 922272 Fax: 023 9278 3763

Web: [www.jagservices.co.uk](http://www.jagservices.co.uk)

Email: [jagservicesukltd@hotmail.co.uk](mailto:jagservicesukltd@hotmail.co.uk)

MUD FOODS LTD  
UNIT 9-16  
ST JAMES IND ESTATE  
WESTHAMPNETT ROAD  
CHICHESTER  
PO19 7JU

20/11/2023

Stainless steel 304 grade extraction canopy c/w stainless steel baffle grease filters, grease collection trays, welded corners.

Galvanised Ductwork, Filter box containing v-line panel filter, cp4. pleated bag filter, activated carbon block, on anti vibration mounting feet.

The extract canopy faced velocity 1.2m/s this would equate to 1555m<sup>3</sup>/h air. volume the dc 24-24-24 carbon block is rated 3800m<sup>3</sup>/h giving a 0.2s dwell time, therefore @1555m<sup>3</sup>/h the carbon cell will be handling less than its maximum rated air volume giving a minimum 0.4s dwell time.

The fan is a Helios GBD500-4 T120 (3 PHASE) installed into the ductwork, with anti-vibration mounts and the fan box will be lagged.

There will be a TSW 10 speed controller installed as well. (3 PHASE)

The ductwork will run across kitchen from top of canopy above false ceiling and turn up through flat roof and terminate with a high velocity upward discharge cowl., all fitted on anti-vibration mounting feet and anti-vibration mounts.

There will also be an acoustic silencer installed into the ducting and flexible connectors.

There will be a fresh air intake system bringing in clean air and also has a filter panel for clean air and ease of maintenance. Fitted on anti-vibration mounts.

Please find attached specification sheets for this job

Regards Glenn Archdale (Director)



210012

Director: Mr Glenn Archdale

VAT No: 777 6461 78

Company Reg No: 04231553

# JAG Services UK Ltd.

CATERING EQUIPMENT, CANOPIES, WOK COOKERS, DUCTING, FANS,  
EXTRACTION SYSTEMS, GAS INTERLOCKS, FANS AND DUCT CLEANING,  
SERVICING AND ELECTRICAL WORK

Reg. Office:  
4, Norman Way, Bedhampton,  
Havant, Hampshire, PO9 3PH

Glenn: 07775 922272 Fax: 023 9278 3763

Web: [www.jagservices.co.uk](http://www.jagservices.co.uk)

Email: [jagservicesukltd@hotmail.co.uk](mailto:jagservicesukltd@hotmail.co.uk)

Maintenance and Management Scheme  
For Ventilation System At:  
MUD FOODS LTD  
UNIT 9-16 ST JAMES IND ESTATE  
WESTHAMPNETT ROAD  
CHICHESTER  
PO19 7JU

The labyrinth stainless steel filters in the extract hood  
Our staff will wash these filters weekly in hot soapy water

The G-line pleated panel filter will be replaced every 3 weeks  
to maintain the efficiency of the extract system .

The CP4 Bag filter will be replaced every 3 months to maintain  
the efficiency of the extract system

The activated carbon filter will be checked every 6 months  
and replaced if any oily deposits are present on filter panel.

We will have the ductwork cleaned professionally as required to  
BS EN 15780 and will have the certificate on display.

We will make sure the old filters are disposed of enviromentaly

SIGNED

PROPRIETOR



210012

Director: Mr Glenn Archdale

VAT No: 777 6461 78

Company Reg No: 04231553

# Baffle Filter Model GFBS



## GENERAL DESCRIPTION

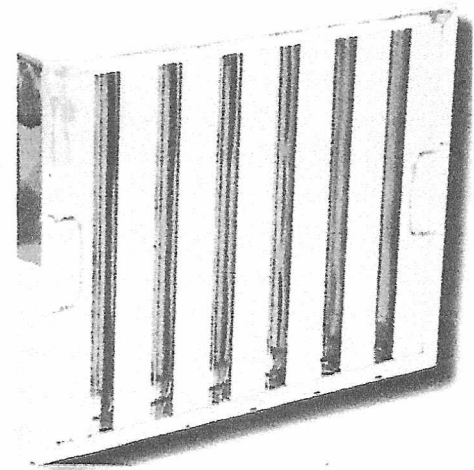
These filters are designed for use in commercial kitchens and ventilation from food preparation areas where their primary function is to prevent flame from travelling from the cooking area up into the extract duct.

## Construction

These filters are manufactured by rolling stainless steel to create a series of baffle plates which are welded onto a sub frame. The sub frame is then wrapped with the outer frame.

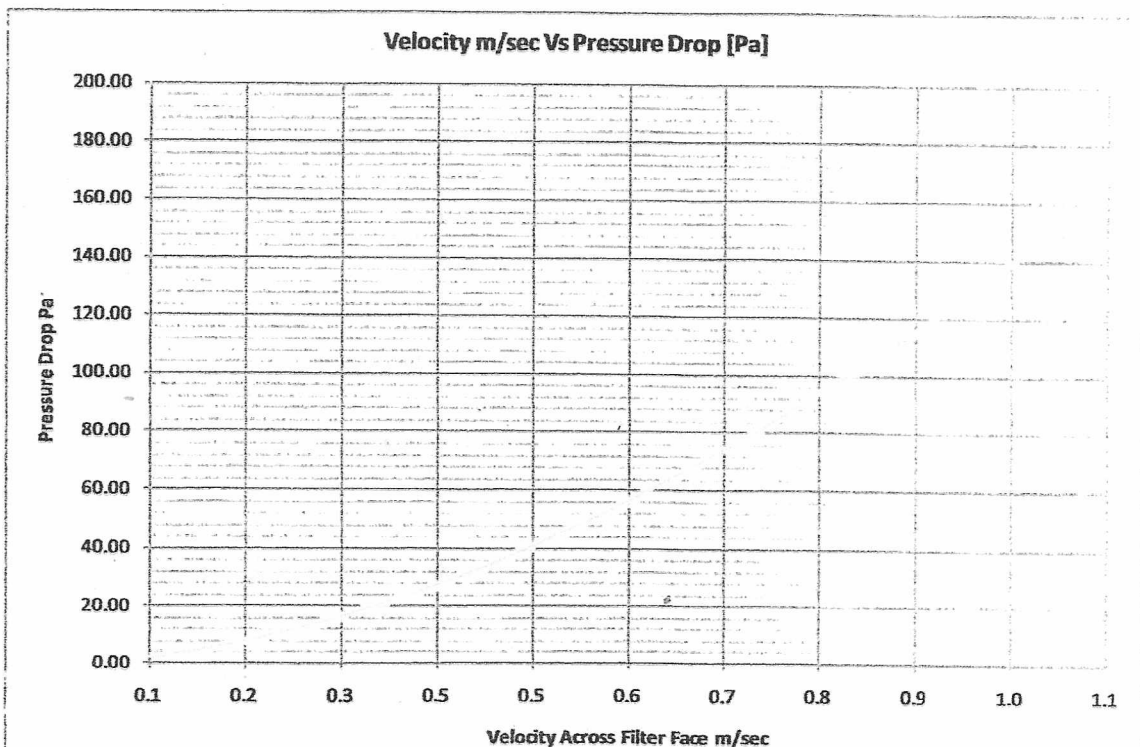
## Features

- Strong Double frame construction
- Scratch Free outer surface
- Bright Polished Surface
- Fold down handles
- Drain Holes
- Rolled Safety Edges
- Low Pressure Drop
- Ex-Stock Delivery



## Frame Material

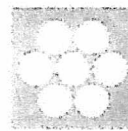
- Stainless Steel to Specification BS1449(2)
- Bright Polished Surface



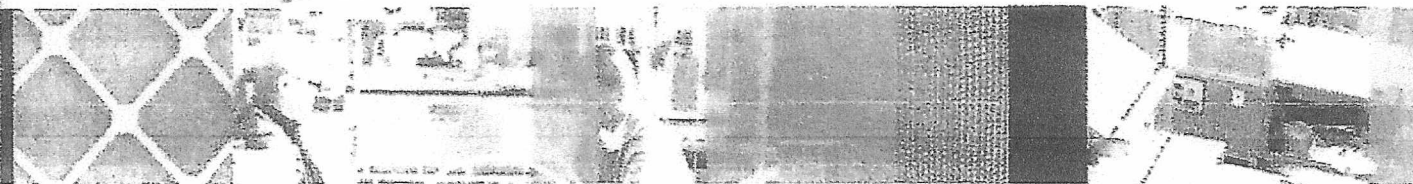
Manufacturing  
Filters in  
UK for  
over  
**40**  
years

# V Line Pleated Panel Filters

## Economy Standard



**JASUN**  
ENVIROCARE PLC

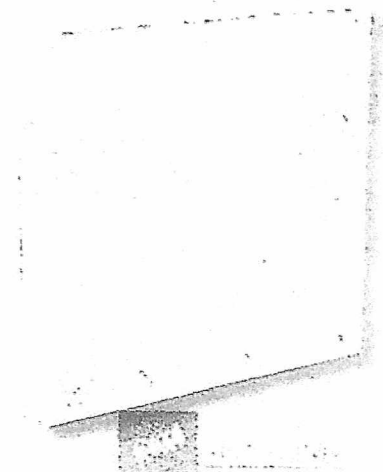


### General Description

The V Line pleated Panel filter is a standard capacity disposable product offering a better than basic level of filtration, or pre-filtration in HEVAC applications. This product is made using patented Kimberly Clark media which delivers a constant level of filtration over its life.

### Construction

This product is constructed by bonding a pleat pack of Intrepid V Line media into a water repellent AquaKote card frame



### Features

The Frame is made from AquaKote card which has

- Superior tear resistance when wet
- Great dry tear resistance and
- Manufactured from a renewable source.

### Kimberley Clark Patented Intrepid Media

- Has a Graduated Density for even dirt loading , resulting in greater dust holding
- Hydrophobic – so will not load with moisture in the air
- Has a constant efficiency due to its extra electrostatic charge
- Superior Efficiency V's Particle size (see table)
- Has a low pressure drop
- Is made form continuous fibres so will not shed

Test Comparing Filtration efficiency V's different sized particles. Intrepid Media V's Cotton Polyester Filters

Particle Size Rang(mm)	Initial Fractional Efficiency(%)	
	V Line Intrepid	The "best" Cotton Poly Alternative
0.3-0.4	7	2
0.4-0.55	15	6
0.55-0.7	28	11
0.7-1.0	41	19
1.0-1.3	52	24
1.3-1.6	58	28
1.6-2.2	63	32
2.2-3.0	67	36
3.0-4.0	70	37
4.0-5.5	71	38
5.5-7.0	72	38
7.0-10.0	73	39

Filter Efficiency to BS EN 779	G4	
Rating to ASHRAE 52.2 Test Standard	Marv 8	
Filter Thickness	Rated Airflow	Initial Pressure Drop
20mm	1.5m/sec	60Pa
45mm	2.0m/sec	62Pa
95mm	2.5m/sec	80Pa
Final Recommended Pressure Drop	260Pa	

Hi Magnification photo showing the cross section of the Intrepid media



Coarse  
↓  
Airflow  
Fine



①



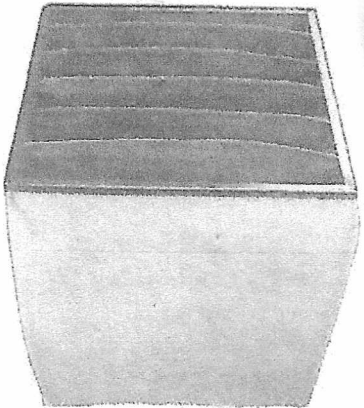
# CleanPak CP4 Bag Filter

## 40 Fire Rated CP413

### General Description

The Cleanpak, fire rated range of bag filters are used widely in government buildings, hospitals and other sensitive areas. This grade of filter is suitable for air condition to offices, theatres, computer rooms and spray booths.

Meets NHS HTM03 Filter Specification



### Construction

Cleanpak bag filters are manufactured by mounting the 100% polyester synthetic media into a galvanised steel header frame. Corrosion resistant

### Features

- Efficient mechanised manufacturing techniques delivery cost effective filtration
- Polyester Media delivers fire rating to CP413
- Folded safety edge to prevent the material being cut and to prevent injury to the engineers who handle them
- Extra depth filter layer which provides extended filter life
- Versatile manufacture - available in most sizes and pocket configuration
- FREE gasket - simply specify side, face or back.
- Packed individually in a plastic bag and then into strong cartons for safe transportation and storage.

### Filter Media

- Is polyester
- Deep Filtration layered
- Is available any size
- Is totally non toxic and non irritant
- Is very inexpensive
- Is fire retardant
- No Fibre Shedding

### Operating Temperature

Continuous 80 °Centigrade

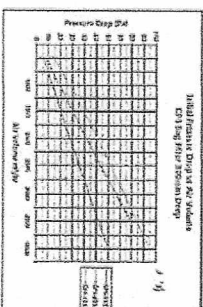
Filter Efficiency to BS EN 779:2012	GA
Pocket Depth	Rated Airflow
300mm	1.70m/sec
355mm	2.46m/sec
600mm	3.30m/sec
Maximum Final Recommended Pressure Drop	50Pa
Minimum Velocity required	250Pa
	2m/sec

## STANDARD SIZES

2

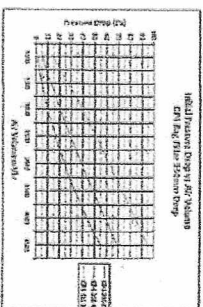
### Series 300 - Economy Configuration

Part Number	Header Dimensions			Pocket Details		Capacity m <sup>3</sup> /hr
	Height (mm)	Width (mm)	Thickness (mm)	Depth (mm)	No. of Pockets	
CP4-12L-2	592	287	20	300	2	1000
CP4-20L-2	592	492	20	300	3	1800
CP4-24L-2	592	592	20	300	4	2100



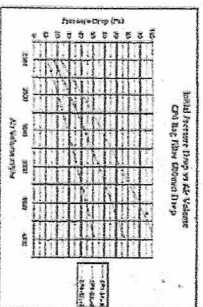
### Series 350 - Low Initial Pressure Drop Configuration

Part Number	Header Dimensions			Pocket Details		Capacity m <sup>3</sup> /hr
	Height (mm)	Width (mm)	Thickness (mm)	Depth (mm)	No. of Pockets	
CP4-12S-3	592	287	20	350	3	1500
CP4-20S-4	592	492	20	350	4	2500
CP4-24S-6	592	592	20	350	6	3100



### Series 600 - Long Pocket, Long Life, High Capacity Configuration

Part Number	Header Dimensions			Pocket Details		Capacity m <sup>3</sup> /hr
	Height (mm)	Width (mm)	Thickness (mm)	Depth (mm)	No. of Pockets	
CP4-12L-3	592	287	20	600	3	2000
CP4-20L-4	592	492	20	600	4	3400
CP4-24L-6	592	592	20	600	6	4200



### Options

Standard header frame depth is 20mm, also available 12mm, 15mm, 25mm, 33mm

Pocket Depths of 229mm(9"), 300mm(12"), 380mm (15"), 450mm (18") 530mm (21"), 635mm(25"), 760mm(30") Also available.

Other Pocket configurations available to order, for instance 8 pockets across a 592mm wide frame.



**Production and Filter Sales**  
 5 St. Andrew's Road, Broomfield, Essex, S.S.16 5DA  
 Tel: 0206 800000 Fax: 0206 800001  
 Email: sales@jasun.co.uk Website: www.jasun.co.uk

**Filter Service and Air Hygiene**  
 5 St. Andrew's Road, Broomfield, Essex, S.S.16 5DA  
 Tel: 0206 800000 Fax: 0206 800001  
 Email: service@jasun.co.uk Website: www.jasun.co.uk

# Discarb Activated Carbon Units

## General Description

These filters are manufactured for ease of installation and incorporation into ducted air systems. They can be used on both supply for purifying incoming air, and can be used on the extract to remove toxic gasses and odours generated within a process.

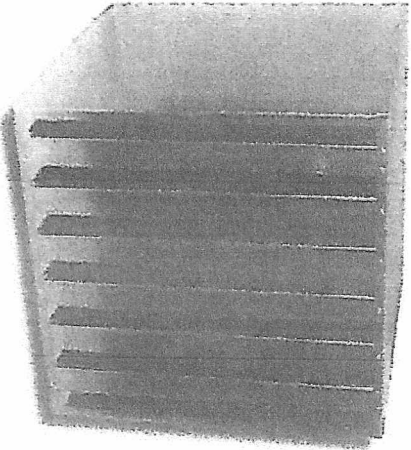
## Construction

These modules are manufactured by mounting a series of carbon panel filters with a sealed case. The airflow is optimized by presenting the filtering surfaces in a "V" formation.

Each carbon panel is sealed into the filter case so as to ensure no air can bypass the carbon granules.

The panels are manufactured using long established bonding techniques which hold the activated carbon granules in a rigid biscuit. The biscuit is encapsulated in a carbon impregnated cloth which prevents any leakage of granules or powder.

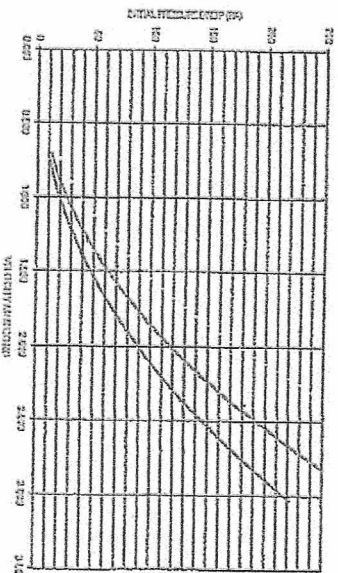
The unique bonding method used by Jasun Envirocare ensures that, unlike our competitors filters, that the panels will remain intact and rigid even if wet.



Application	Recommended Panel Size	Grade	Series
Cooking - General Restaurant	0.1 to 0.2 Seconds	Carbon grade Enhanced for improved performance for light catering odours	-ACO
Cooking - Spicy, Indian	0.2 to 0.4 Seconds	Enhanced Carbon grade suitable for many applications 65% Minimum CFC	-AO
Reduction of Kerosene Exhaust Fumes	0.1 to 0.2 Seconds	General Purpose Activated Carbon	-ACS
Reduction of Ozone	0.1 to 0.2 Seconds	General Purpose Activated Carbon	-ACS
Reduction of Diesel Fumes, including H <sub>2</sub> S, SO <sub>2</sub> , NO <sub>x</sub> , HCl	0.2 Seconds	Carbon Museum, Archive, Café Directive: SO <sub>2</sub> SO <sub>x</sub> NO <sub>2</sub> NO <sub>x</sub> Removal	-ACU
Museum and Archives	0.2 Seconds	Carbon Museum, Archive, Café Directive: SO <sub>2</sub> SO <sub>x</sub> NO <sub>2</sub> NO <sub>x</sub> Removal	-ACU
Mortuary / formaldehyde reduction	0.4 Seconds	Mortuary Grade, formaldehyde Removal	-ACMO

# Discarb Units STANDARD SIZES

No.	Nominal Size (mm)	Height (mm)	Width (mm)	Depth (mm)	Weight (kg)	Cal Weight (kg)	Contact Area (sqm)
DC-CF1	24 X 24 X 8	594	594	197	7.0	2.2	800
DC-CF1-HALF	24 X 12 X 8	594	291	197	5	1.1	400
DC2424120	24 X 24 X 12	594	594	292	13	2.4	990
DC121212	12 X 12 X 12	297	297	297	6	1.2	450
DC181812	18 X 18 X 12	445	445	297	13	2.5	990
DC241212	24 X 12 X 12	594	297	297	13	2.5	990
DC242412	24 X 24 X 12	594	594	297	26	3.6	1900
DC-CF2	24 X 24 X 16	594	594	397	18	3.4	1370
DC-CF2-HALF	24 X 12 X 16	594	291	397	9	1.8	685
DC-WA15-208	24 X 6 X 18	144	600	440	7	1.3	538
DC121218	12 X 12 X 18	292	292	451	10	1.5	761
DC181818	18 X 18 X 18	445	445	451	19	2.6	1445
DC241218	24 X 12 X 18	594	297	451	18	2.6	1369
DC242418	24 X 24 X 18	594	594	451	36	5.2	2740
DC121224	12 X 12 X 24	292	292	597	13	1.9	930
DC181824	18 X 18 X 24	445	445	597	25	3.8	1900
DC241224	24 X 12 X 24	594	297	597	26	3.6	1900
DC242424	24 X 24 X 24	594	594	597	50	6.1	3800



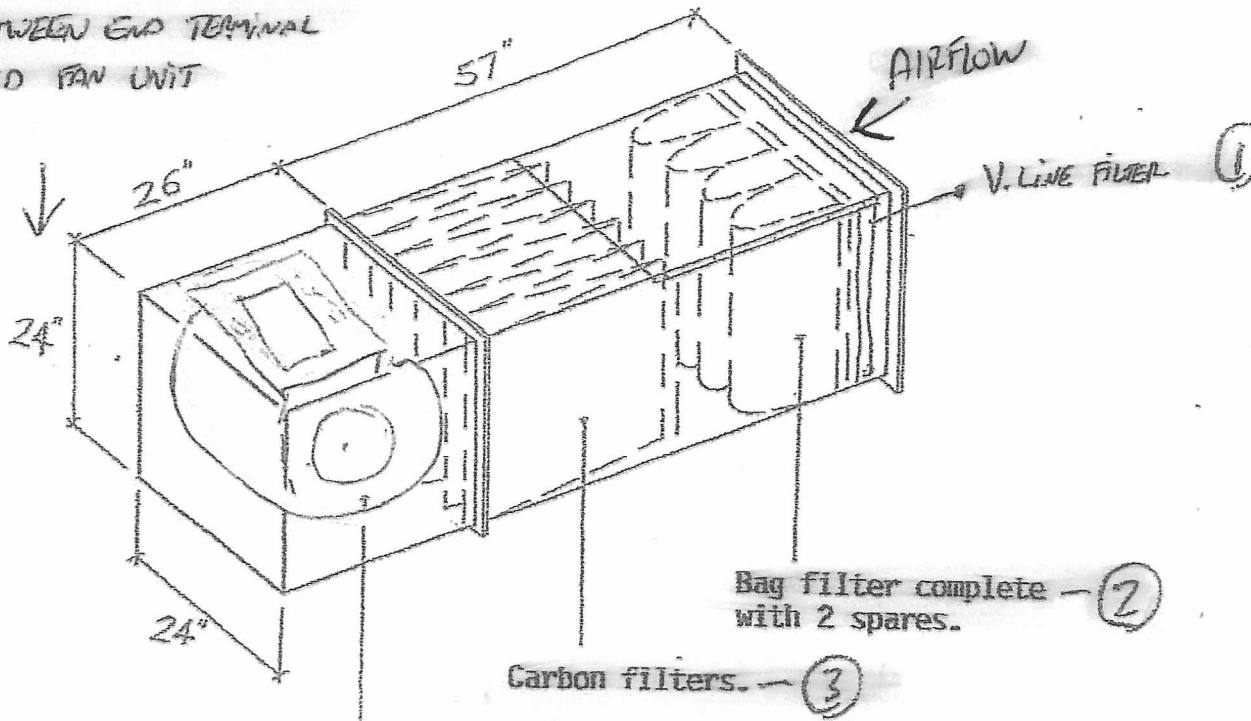
Standard Series  
Activated Series  
Activated Series with 15% moisture

ENVIROCARE UNIT WEIGHTS AND CONTACT AREA

DISCARB UNIT WEIGHTS AND CONTACT AREA

CARBON FILTER UNIT

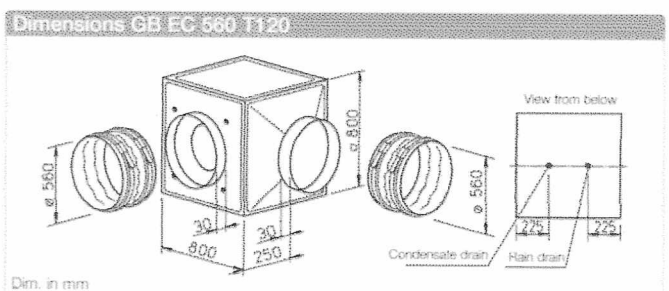
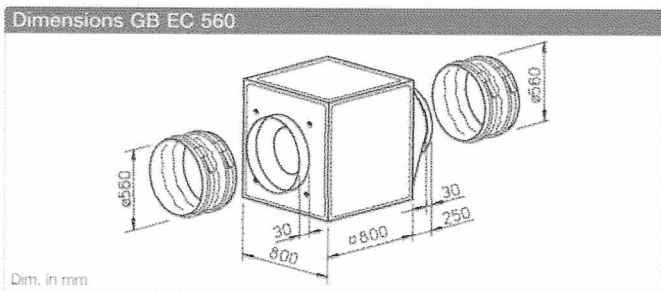
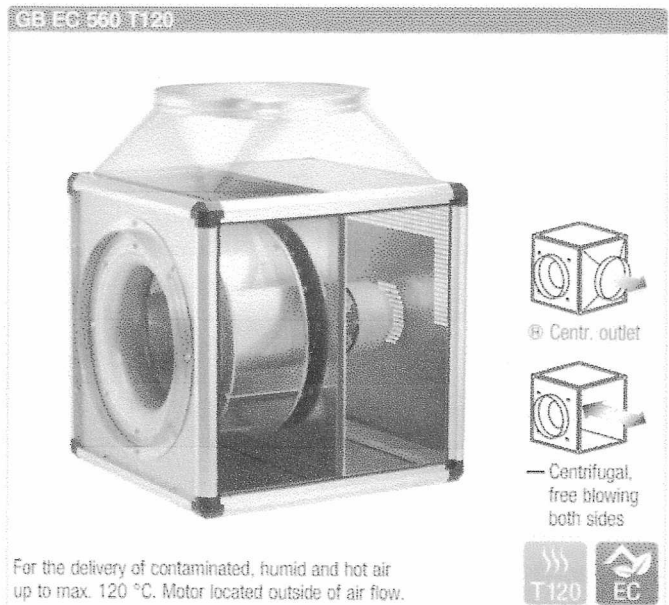
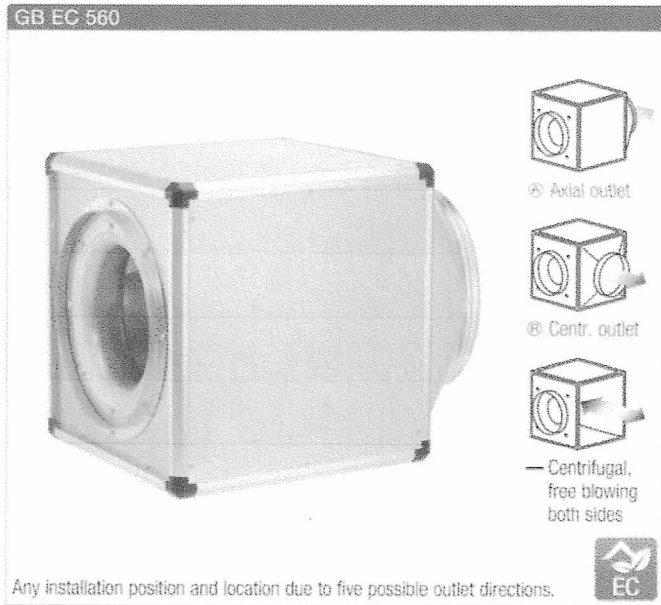
SILENCER TO BE POSITIONED  
BETWEEN END TERMINAL  
AND FAN UNIT



FAN BOX  
LAGGED

FAN UNIT HELIOS C-BDS60 T120  
complete with speed controller. (4)

Unit is shown complete with either a base frame or cantilever brackets with anti-vibration mountings - as suitable to each situation.



**Special features of the GB EC T120 series**

- Designed for the delivery of contaminated, humid and hot air up to max. 120 °C, e.g. as an extract air fan in commercial kitchens and many process technology applications.
- Motor located outside of air flow.
- Thermally insulated partition between motor and impeller, made of galvanised steel sheet, with 20 mm thick, non-flammable mineral wool.
- Complete motor-impeller unit can be removed without dismantling the system components.
- Inspection cover with handle, easily removable for cleaning and maintenance.
- Condensate tray with condensate drain as standard. Hole provided for rain drain (accessories) for outdoor installation.

**Installation**

Installation position with condensate drain below. Flexible installation due to three possible centrifugal outlet directions of the outlet fitting. Protected outdoor installation possible with weather protection cover and grille (accessories).

**Electrical connection**

Standard terminal box (IP54) directly to the commutation electronics.

**Special features of the GB EC series**

Any installation position and flexible installation due to five possible outlet directions of the outlet fitting. The wall bracket (accessories) must be used for wall installation. Protected outdoor installation possible with weather protection cover and grille (accessories).

**Electrical connection**

Standard terminal box (IP54) mounted to external cable.

**Description for both series**

**Casing**

Self-supporting frame construction made of aluminium hollow profiles. Double-walled, 20 mm thick side panels made of galvanised steel sheet, sound and heat insulated by non-flammable mineral wool lining. Nozzle on inlet side for optimal inflow as well as connectors and flexible connecting sleeve (for the respective max. permissible air flow temperature) for duct connection. Moulded part (square to round) on outlet side for low-loss outflow and flexible connecting sleeve to prevent structure-borne noise transmission. Simple positioning with standard crane hook.

**Impeller**

Free-running high performance centrifugal impeller made of aluminium, directly driven. Energy-efficient with low noise emission. Dynamically balanced together with the motor in accordance with DIN ISO 21940-11 – quality grade 2.5.

**Drive**

Energy-saving, speed-controlable EC external rotor motor in protection category IP54 with the highest level of efficiency. Maintenance-free and radio interference-free, ball bearing mounted.

**Motor protection**

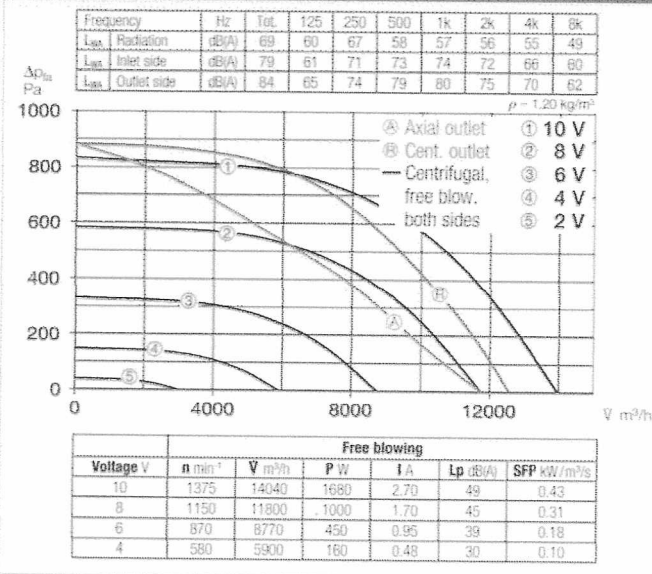
Integrated electronic temperature monitoring system for EC motor and electronics.

Type	Connection Ø	Flow rate free blowing	Rated speed	Case-rad. sound pressure	Power consumption	Current consumption	Wiring diagram	Max. air flow temp.	Weight net aprx.	Universal control system		Speed potentiometer				
										Type	Ref. no.	Type	Ref. no.			
<b>Three-phase current, 3~, 400 V, 50/60 Hz, EC motor, protection category IP54</b>																
GBD EC 560	05814	560	14040	1375	49	2.80	4.30	1415	50	83.0	EUR EC <sup>1)</sup>	01347	PU 24 <sup>2)</sup>	01736	PA 24 <sup>2)</sup>	01737
<b>T120 Three-phase current, 3~, 400 V, 50/60 Hz, EC motor, protection category IP54</b>																
GBD EC 560 T120	06481	560	12100	1400	53	2.30	3.60	1214.1	120	102.0	EUR EC <sup>1)</sup>	01347	PU 10 <sup>2)</sup>	01734	PA 10 <sup>2)</sup>	01735

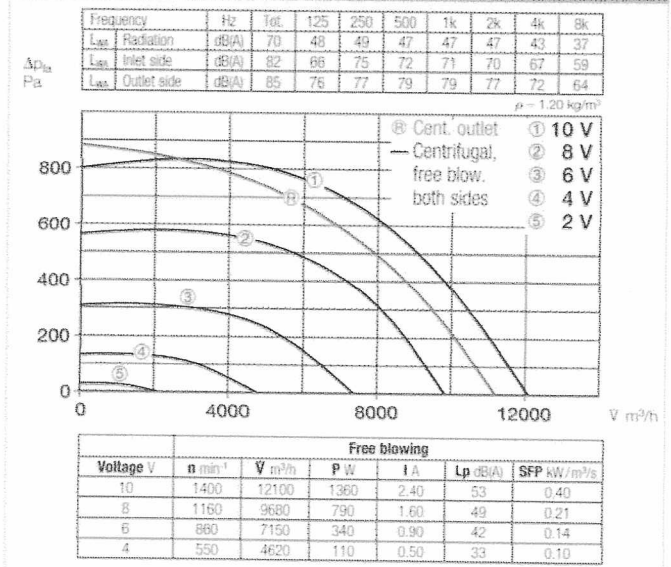
1) Multiple EC fans can normally be connected. 2) Alternative electronic diff. pressure/temperature controller (EDR/ETR, No. 01437/01438) or three level speed switch (SU/SA, No. 04266/04267).



Performance curves GBD EC 560



Performance curves GBD EC 560 T120



**Power control**

Continuously variable speed control with internal (delivery) or external potentiometer or continuously variable speed regulation with universal control system (see table). Performance levels are shown in the performance curve as an example.

**Noise**

The total level and range are specified above the performance diagram for:

- Case-radiated sound power
- Inlet side sound power
- Outlet side sound power

The case-radiated noise as sound pressure at 4 m (free field conditions) is also specified in the type table and the table below the performance curve.

**Accessories for both series**

- Vibration dampers** for indoor installation. 1 set = 4 pcs.  
SDD-U Ref. no. 05627
- Wall bracket** for wall installation.  
GB-WK 560 Ref. no. 05626
- Weather protection grille** for outlet-side coverage.  
GB-WSG 560 Ref. no. 05640
- Weather protection cover** for protected outdoor installation.  
GB-WSD 560 Ref. no. 05749

**Special accessories**

- for GB EC series  
**Condensate tray** with drain connectors (central) for duct/hose connection.  
GB-KW 560 Ref. no. 05645  
(a condensate tray with condensate drain is included in delivery for GB EC T120).
- for GB EC T120 series  
**Rain drain** for outdoor installation (Hole in casing base already provided).  
GB-RA Ref. no. 09418

References	Page
Planning information	14 ff.
General techn. information, power control	19 ff.
Accessory details	Page
Universal control system, electronic controllers, speed potentiometer	613 ff.

# *Air Movement Supplies Limited*

Unit 2, Marshlands Road Industrial Estate, Farlington, Portsmouth, PO6 1ST

Tel: 02392 201930 Fax: 02392 201931

Email: [sales@airmovementsupplies.com](mailto:sales@airmovementsupplies.com) web: [www.airmovementsupplies.com](http://www.airmovementsupplies.com)

## TYPE R4 ATTENUATOR STATIC INSERTION LOSS

LENGTH MM	HIZ.	125	250	500	1000	2000	4000	8000
	63							
600	5	8	12	23	30	30	23	18
900	6	10	16	30	37	37	30	24
1200	7	13	22	38	47	47	40	29
1500	8	16	26	42	49	49	45	32
1800	9	18	31	46	50	50	47	34
2100	11	20	36	50	50	50	50	41
2400	12	22	40	50	50	50	50	47

ALL UNITS OVER 1500 MM LENGTH ARE SUPPLIED IN 2 PARTS, COMPLETE WITH CLAMPS FOR SITE ASSEMBLY BY OTHERS

ALL ORDERS ARE SUBJECT TO OUR TERMS AND CONDITIONS OF TRADING AND CARRIAGE. E & OE.  
Company registration number 4310038. Registered at: Hound Nursery, Hamble Lane, Netley Abbey, Southampton, SO31 5FT

PRODUCT CODE	WEIGHT RANGE	NOMINAL DEFLECTION
VT/0 - BLUE	2.5 to 5.0 Kg.	3.0 mm
VT/0 - YELLOW	4.0 to 8.0 Kg.	3.0 mm
VT/0 - GREEN	7.0 to 14.0 Kg.	3.0 mm
VT/0 - WHITE	9.0 to 18.0 Kg.	3.0 mm
VT/1 - BLUE	9.0 to 18 Kg.	4.0 mm
VT/1 - YELLOW	14 to 28 Kg.	4.0 mm
VT/1 - GREEN	20 to 40 Kg.	4.0 mm
VT/1 - WHITE	27 to 54 Kg.	4.0 mm
VT/1 - RED	36 to 72 Kg.	4.0 mm
VT/2 - BLUE	18 to 60 Kg.	5.0 mm
VT/2 - GREEN	54 to 108 Kg.	5.0 mm
VT/2 - WHITE	90 to 180 Kg.	5.0 mm
VT/2 - RED	135 to 270 Kg.	5.0 mm
VT/2 - BLACK	180 to 360 Kg.	5.0 mm
VT/3 - BLUE	9.0 to 18 Kg.	9.0 mm
VT/3 - YELLOW	14 to 28 Kg.	9.0 mm
VT/3 - GREEN	20 to 40 Kg.	9.0 mm
VT/3 - WHITE	27 to 54 Kg.	9.0 mm
VT/3 - RED	36 to 72 Kg.	9.0 mm
VT/4 - BLUE	18 to 60 Kg.	10.0 mm
VT/4 - GREEN	54 to 108 Kg.	10.0 mm
VT/4 - WHITE	90 to 180 Kg.	10.0 mm
<del>VT/4 - RED</del>	<del>135 to 270 Kg.</del>	<del>10.0 mm</del>
VT/4 - BLACK	180 to 360 Kg.	10.0 mm

RESEARCH AND DEVELOPMENT IS ONGOING & UNLESS STAMPED CERTIFIED (VALIDITY 3 MONTHS) THIS DATA SHEET IS ONLY CORRECT AT DATE OF ISSUE.

ANTI - VIBRATION  
MOUNTS

Website Feature  
Xtant Des  
www.dv8-w

# Roof hood

HN



## Description

Ventilation hood for air exit above roof, suitable for both industrial and comfort ventilation. The air is ejected in an upwards-directed jet. This avoids contaminating the air in the vicinity of the hood, and soiling of the area around the hood. The ejection is so effective that you can install a fresh air inlet in the immediate vicinity of the hood, without any special precautions.

The hood is made of galvanised sheet steel, and can also be supplied in other materials such as stainless steel sheet 1.4301, stainless acid-resistant steel sheet 1.4404, aluzinc AZ185 and painted in various colours, to special order. It has a net over the opening and an internal rain funnel to collect rainwater and snow, which is drained out of the hood through a hose. The hose can withstand temperatures of between -45 and +65 °C.

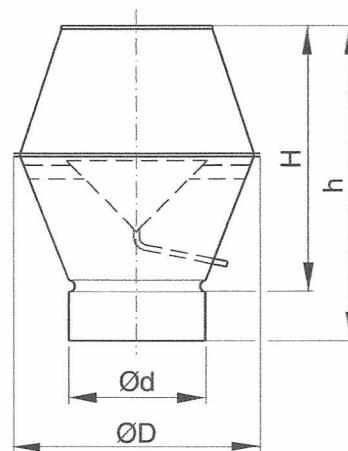
The hood has a female connection, which fits outside a ventilation duct. The hood can be ordered with other connections, however.

As special delivery the hood can be supplied with three anchoring wire-loops.

## Ordering example

Product	HN	315
Dimension Ød		

## Dimensions



Ød nom	ØD mm	H mm	h mm	m kg	Roof through connection TGR	
					50 mm	100 mm
					Size	
80	130	160	310	0,66	3	3
100	180	220	360	0,96	3	3
125	225	240	380	1,26	3	4
160	280	340	475	1,95	3	4
200	345	420	555	2,92	3	4
250	430	505	640	4,31	4	5
315	550	620	755	6,75	5	6

## Technical data

