

Roof hood

HN



Description

Ventilation hood for air exit above roof, suitable for both industrial and comfort ventilation. The air is ejected in an upwards-directed jet. This avoids contaminating the air in the vicinity of the hood, and soiling of the area around the hood. The ejection is so effective that you can install a fresh air inlet in the immediate vicinity of the hood, without any special precautions.

The hood is made of galvanised sheet steel, and can also be supplied in other materials such as stainless steel sheet 1.4301, stainless acid-resistant steel sheet 1.4404, aluzinc AZ185 and painted in various colours, to special order. It has a net over the opening and an internal rain funnel to collect rainwater and snow, which is drained out of the hood through a hose. The hose can withstand temperatures of between -45 and +65 °C.

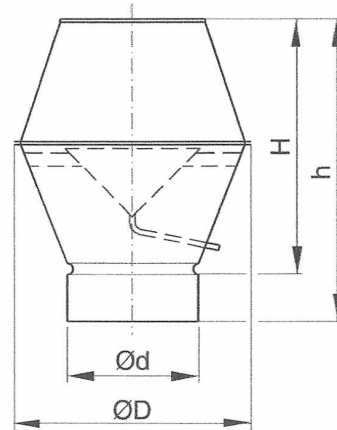
The hood has a female connection, which fits outside a ventilation duct. The hood can be ordered with other connections, however.

As special delivery the hood can be supplied with three anchoring wire-loops.

Ordering example

| | | |
|--------------|----|-----|
| Product | HN | 315 |
| Dimension Ød | | |

Dimensions



| Ød nom | ØD mm | H mm | h mm | m kg | Roof through connection TGR | |
|--------|-------|------|------|------|-----------------------------|--------|
| | | | | | 50 mm | 100 mm |
| | | | | | Size | |
| 80 | 130 | 160 | 310 | 0,66 | 3 | 3 |
| 100 | 180 | 220 | 360 | 0,96 | 3 | 3 |
| 125 | 225 | 240 | 380 | 1,26 | 3 | 4 |
| 160 | 280 | 340 | 475 | 1,95 | 3 | 4 |
| 200 | 345 | 420 | 555 | 2,92 | 3 | 4 |
| 250 | 430 | 505 | 640 | 4,31 | 4 | 5 |
| 315 | 550 | 620 | 755 | 6,75 | 5 | 6 |

Technical data

