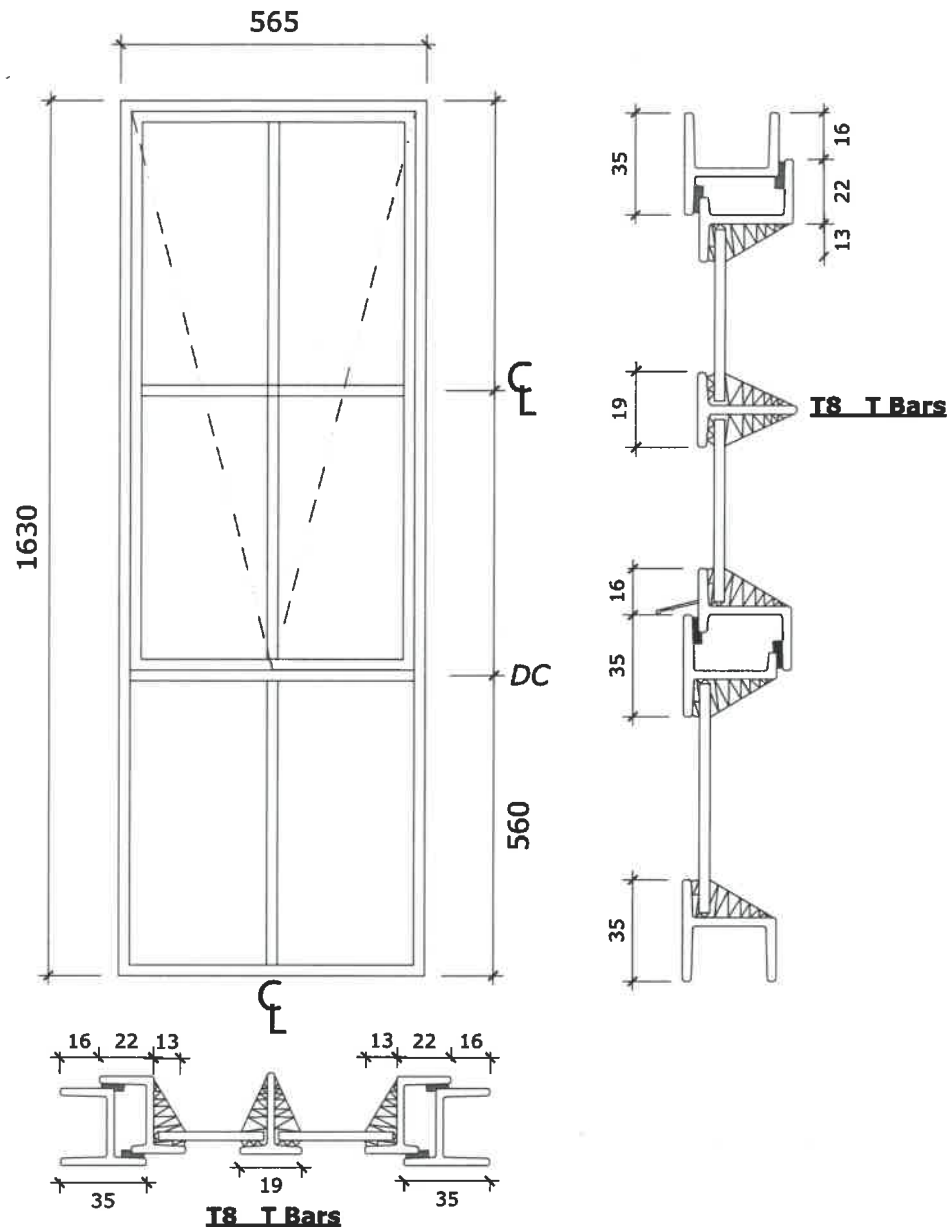


DRAWINGS ARE VIEWED FROM THE OUTSIDE - MOCK UPS FOR ILLUSTRATION PURPOSES ONLY. DO NOT SCALE FROM THIS DRAWING.

FITTINGS NOT ALWAYS SHOWN IN THE CORRECT FINISH. FOR ILLUSTRATION PURPOSES ONLY.



JOB TITLE	Radlet	
REFERENCE	6442	
QUANTITY	1no.	
FINISH	Galvanised	
GALVE / P-COAT	✓	
GLAZING	4mm	
PUTTY	✓	
OUT / IN	✓	IN
SECTION	W10	
EQUAL LEG	✓	
WEATHERSEAL	Foam	

FITTINGS:

- 520 Hinges
- 36 Spring Catch (Satin Chrome)
- 4463 Restrictors

GLASS DIMENSIONS:

PANEL DIMENSIONS:

PLEASE CHECK AND CONFIRM ALL DETAILS. ONCE CONFIRMED PLEASE SIGN, DATE AND RETURN TO METALI WINDOW SERVICE LTD.

DRAWING APPROVED BY: PRINT NAME SIGNED DATE

DRAWING REF: 6442
DATE: February 23, 2024

REVISION: 2 | Page 1 of 1