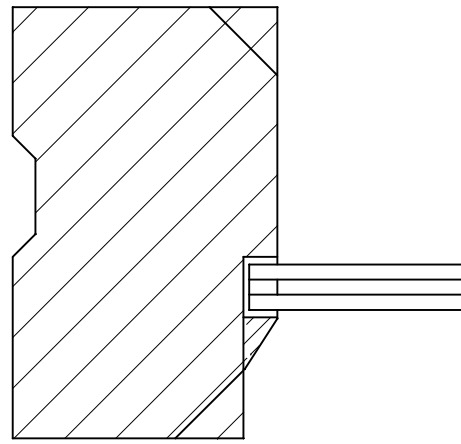
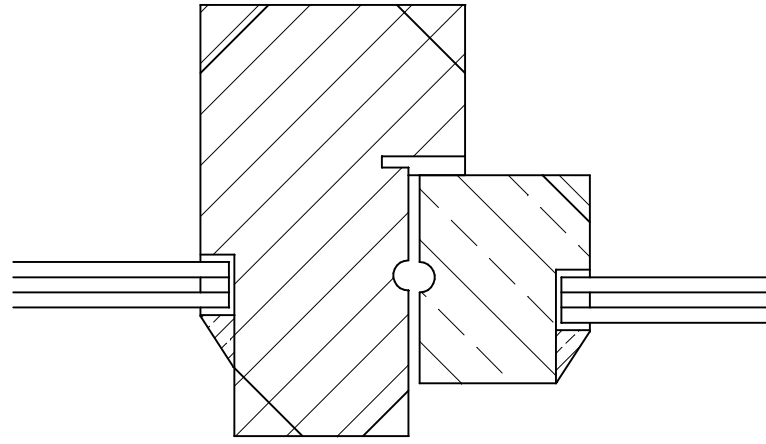


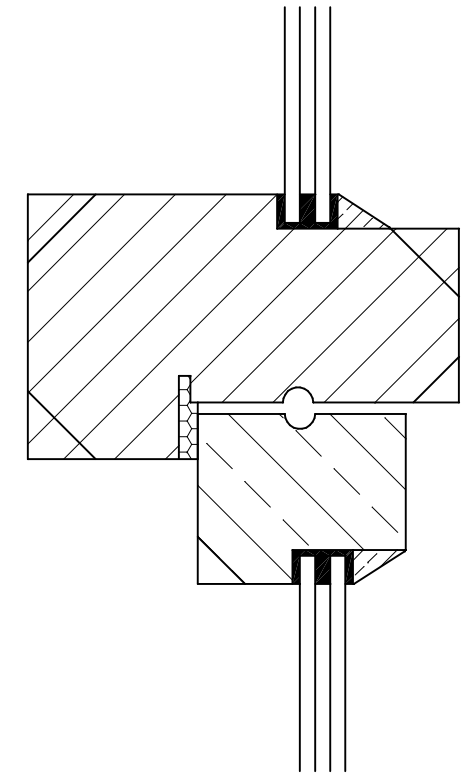
**PROPOSED FRAME HEAD WITH DIRECT GLAZING**



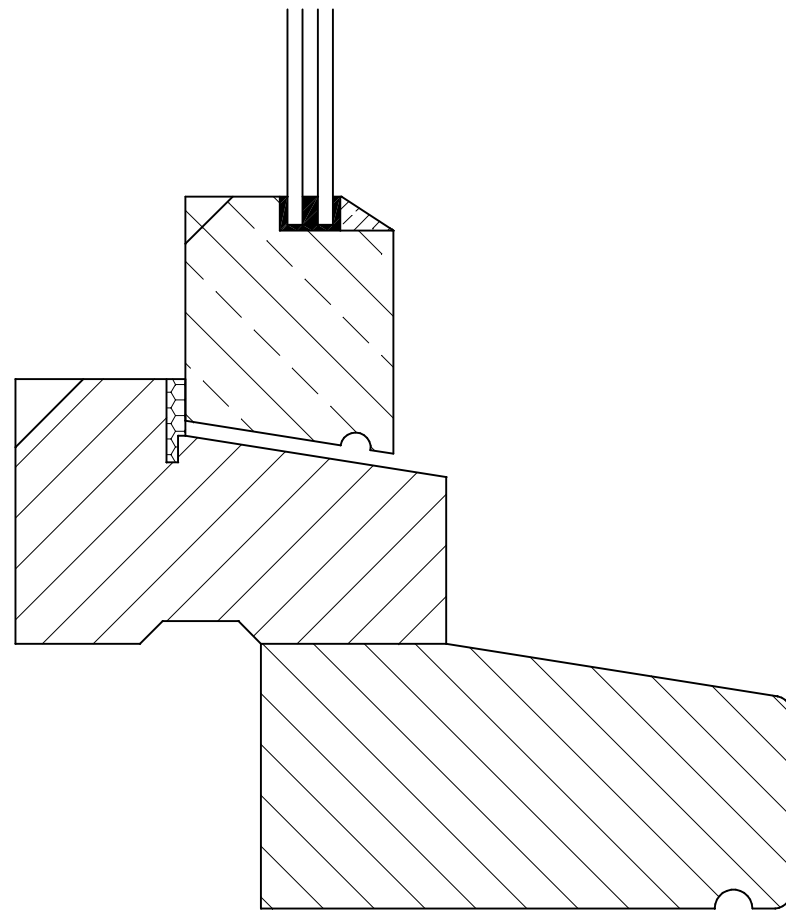
**PROPOSED FRAME JAMB WITH DIRECT GLAZING**



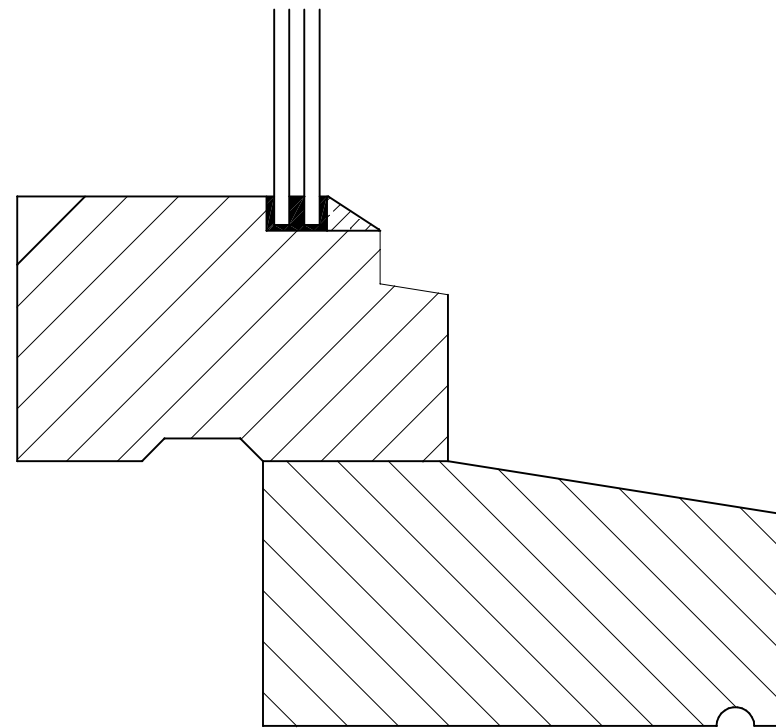
**PROPOSED FRAME MULLION WITH DIRECT GLAZING AND CASEMENT STILE SECTION DETAILS**



**PROPOSED FRAME TRANSOME WITH DIRECT GLAZING AND CASEMENT TOP RAIL SECTION DETAILS**



**PROPOSED FRAME SUB SILL, SILL AND CASEMENT BOTTOM RAIL SECTION DETAILS**



**PROPOSED FRAME SUB SILL AND SILL WITH DIRECT GLAZING**

Client: Mr & Mrs M Perry	Title: Listed Building Consent Application Drawing
Job / Address: Wilderness House Church Road Wacton Norfolk NR15 2UG	Details: Proposed section details for the traditional ground floor casement windows with stop chamfer mouldings, all manufactured in Utile hardwood with a paint finish. Glazing to be 12mm conservation sealed units.
Drawn By: DRC	
Date: 01/03/2024	Drawing No: MP 01-2024
Scale: 1 : 2 @ A3	

**Harleston Joinery Ltd.**  
Craftsmen in wood

2a Fuller Road  
Harleston  
Norfolk  
IP20 9EA  
Tel/Fax: (01379) 853084  
Email:  
info@harlestonjoinery.co.uk