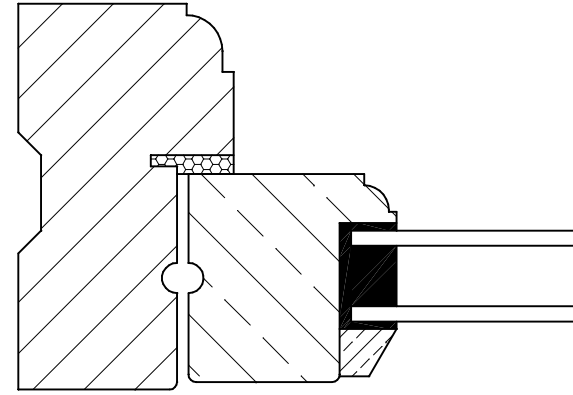
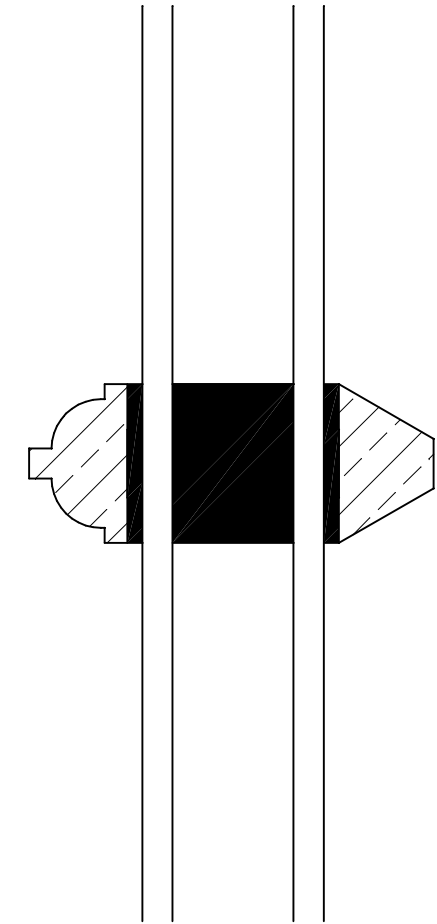


PROPOSED HEAD & TOP RAIL SECTIONS

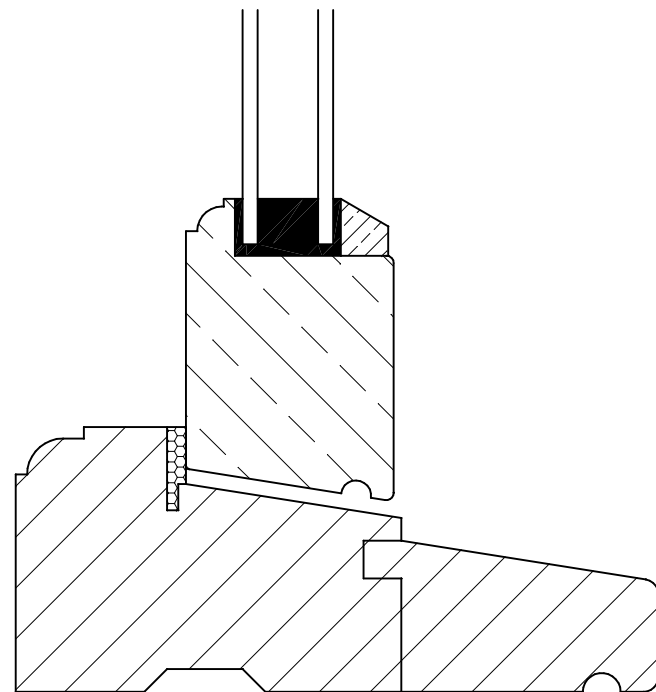


PROPOSED JAMB & STILE SECTIONS

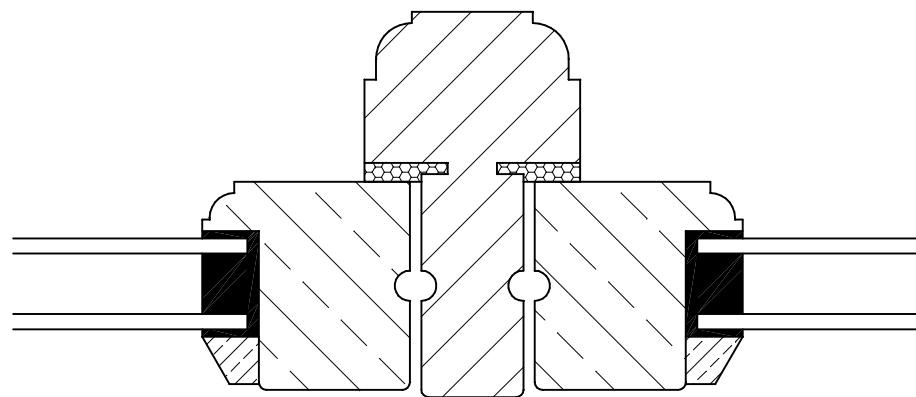


PROPOSED APPLIED GLAZING BAR SECTIONS

1:1 @ A3



PROPOSED SILL & BOTTOM RAIL SECTIONS



PROPOSED MULLION & STILE SECTIONS

Client: Mr & Mrs M Perry	Title: Listed Building Consent Application Drawing
Job / Address: Wilderness House Church Road Wacton Norfolk NR15 2UG	Details: Proposed section details for the traditional style Attic flush casement windows. Mouldings to match existing, manufactured in Utile Hardwood and white painted finish. Glazing to be 4-16-4mm sealed units.
Drawn By: DRC	Drawing No: MP 02-2024
Date: 01/03/2024	
Scale: 1:2 @A3	

Harleston Joinery Ltd.
Craftsmen in wood

2a Fuller Road
Harleston
Norfolk
IP20 9EA
Tel/Fax: (01379) 853084
Email:
info@harlestonjoinery.co.uk