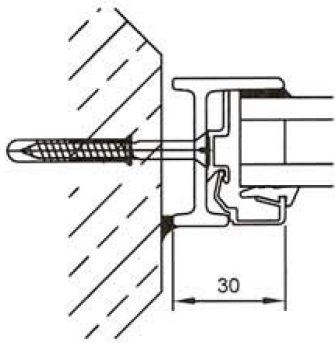
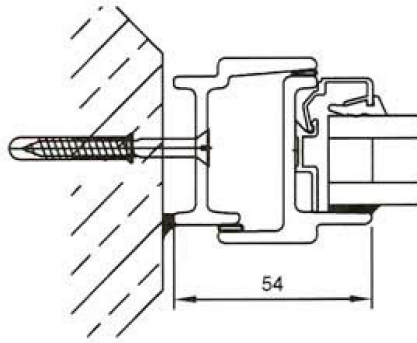


REA40 SECTIONAL DETAILS

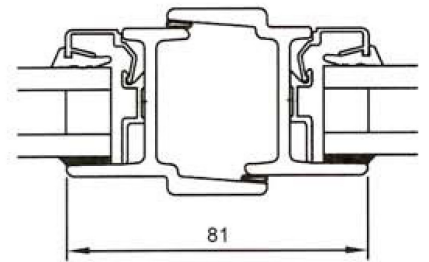
SHORT LEG FIXED LIGHT JAMB (EXTERNALLY GLAZED)



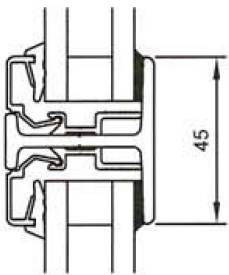
SHORT LEG OPENING CASEMENT JAMB



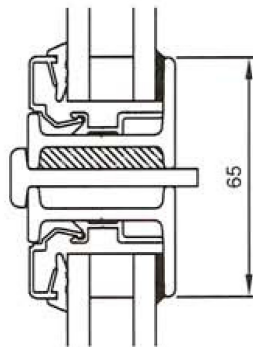
FRENCH CASEMENT CENTRAL STYLE



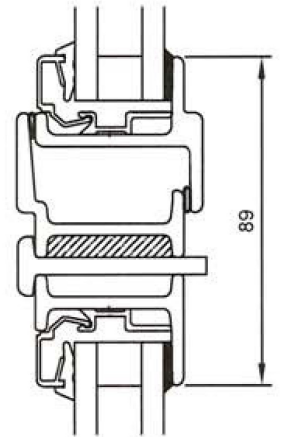
GLAZING T-BAR



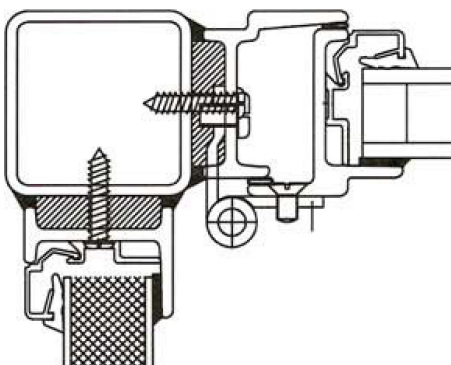
FIXED LIGHT/FIXED LIGHT COUPLING



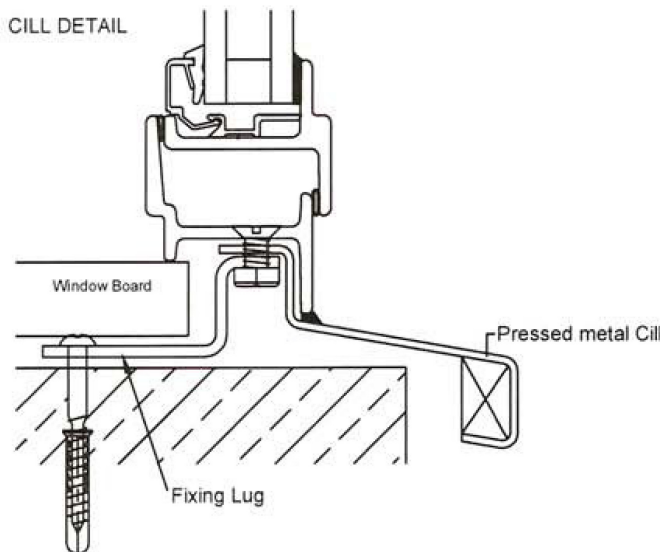
FIXED LIGHT/OPENING CASEMENT COUPLING



CORNER DETAIL



CILL DETAIL



SCALE 1 : 2
SCALE 1 : 1

