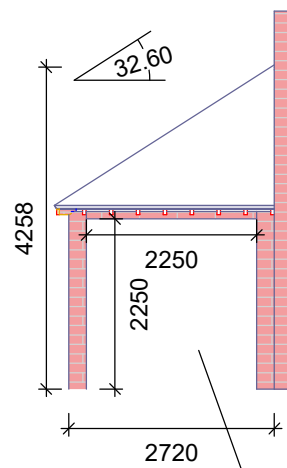


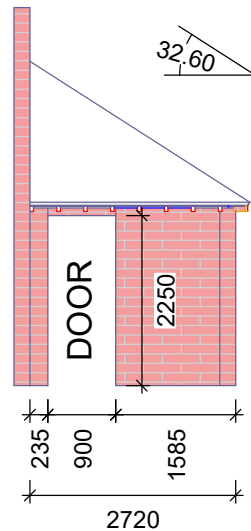
EXISTING

Scale: 1 : 100
FRONT_ELEVATION

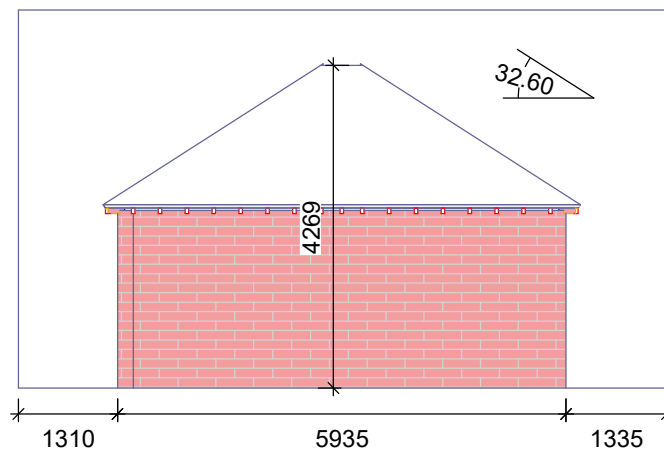


GARAGE DOOR

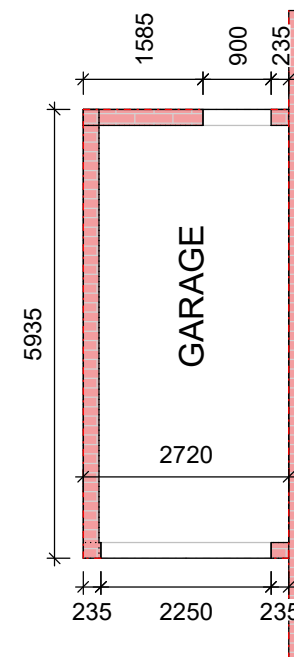
Scale: 1 : 100
REAR_ELEVATION



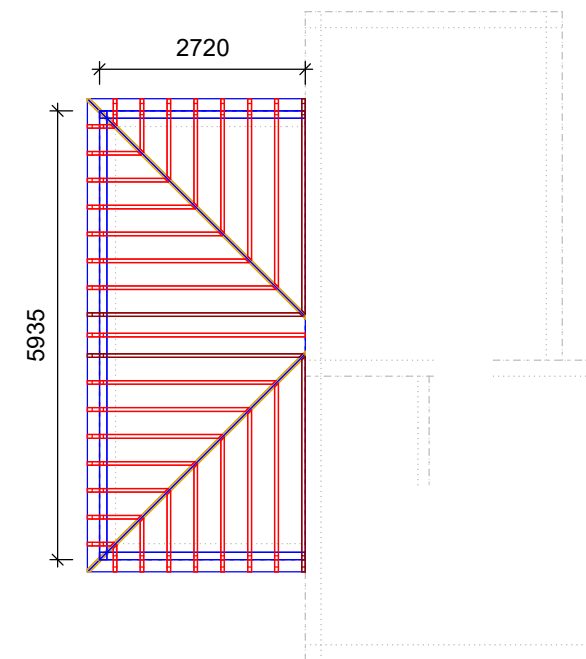
Scale: 1 : 100
LEFT_ELEVATION



Scale: 1 : 100
PLAN_ELEVATION

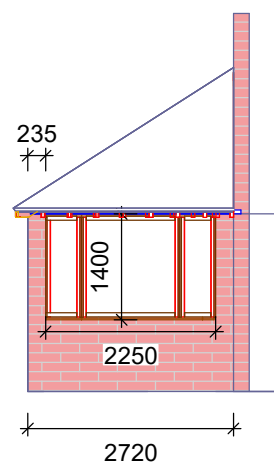


Scale: 1 : 100
PLAN_ELEVATION

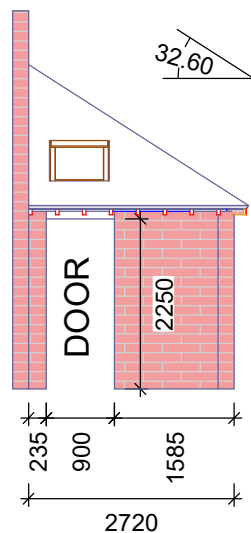


PROPOSED

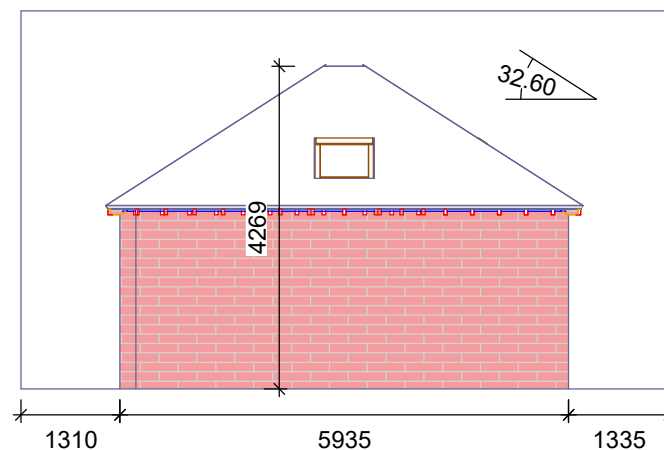
Scale: 1 : 100
FRONT_PROPOSED



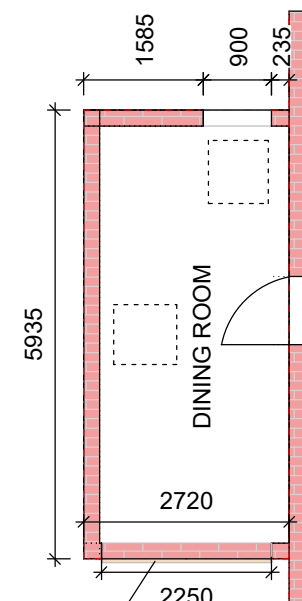
Scale: 1 : 100
REAR_PROPOSED



Scale: 1 : 100
LEFT_PROPOSED

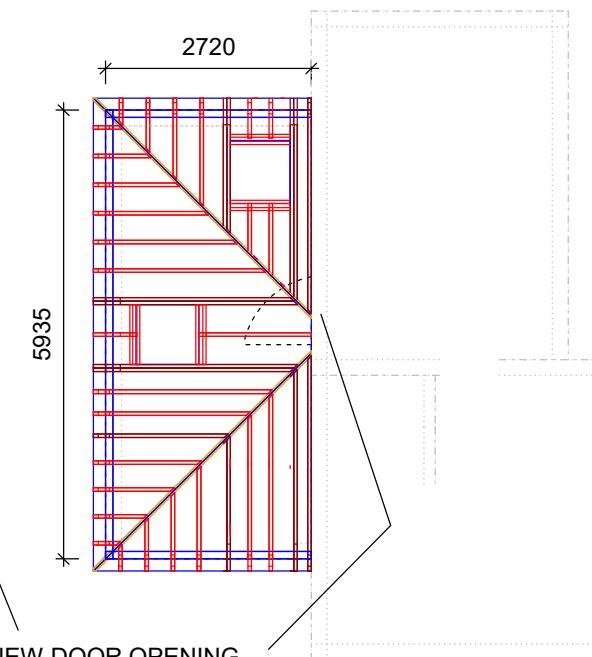


Scale: 1 : 100
PLAN_PROPOSED



WINDOW

Scale: 1 : 100
PLAN_PROPOSED



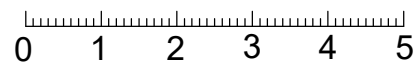
NEW DOOR OPENING TO EXISTING

JACK HENDRIKSEN
PLANNING DRAWING
PROPOSED GARAGE AMMENDMENTS

1 HUNTER SEAL
LEIGH
TN11 9AW

DATE: 13/03/2024
SCALE: 1 : 100 @ A3

SCALE : 1 : 100 @ A3



CrownOak
Buildings

Gabriels Farm, Marsh Green
Edenbridge, Kent
TN8 5PP

Document Information:
MR JACK_EXTENSION
PLANNING DRAWING
DATE: 13/03/2024

Project Information:
JACK_EXTENSION