

- LEGEND:**
- EXISTING STEEL / TIMBER JOISTS RETAINED.
 - JOISTS AT 400mm CTRS RETAINED + ADDITIONAL 225x50 C16 PLACED CENTRALLY BETWEEN EXISTING.
 - 225x50 C16 JOISTS AT 200 CTRS.
 - EXISTING 300x75mm JOISTS AT 400 CTRS RETAINED. WHERE EXISTING JOISTS HAVE BEEN NOTCHED TO UNDERSIDE PROVIDE ADDITIONAL 250x75 C16 JOISTS CENTRALLY EACH SIDE OF EXISTING.
 - EXISTING CLINKER INFILL FLOOR CAREFULLY REMOVED BETWEEN STEELWORK. INSTALL NEW 38mm THK. P6 (MR) MEZZANINE BOARD.
 - EXISTING CLINKER INFILL FLOOR RETAINED.
 - 100mm DP (APPROX) CONCRETE FLOOR + T&G BOARDING REMOVED. REPLACE WITH 38mm THICK P6 MOISTURE RESISTANT (MR) MEZZANINE BOARD SCREW FIXED TO EXTG/NEW JOISTS.
 - EXISTING FLOOR CONSTRUCTION REMOVED AND REPLACED WITH 38mm P6 (MR) MEZZANINE BOARD OVER 225x50 C16 JOISTS AT 200mm CTRS.
 - EXTG CONCRETE INFILL BROKEN OUT AND REPLACED WITH 38mm P6 (MR) MEZZANINE BOARD OVER 225x50 C16 JOISTS AT 400 CTRS.
 - EXISTING FLOOR CONSTRUCTION TO BE FURTHER EXPOSED FOR SUBTENO INSPECTION & REVIEW.

EXISTING FLOOR CONSTRUCTION TO BE FURTHER EXPOSED FOR SUBTENO REVIEW OF CURRENT 'FLOOR INFILL'. MAIN CONTRACTOR TO ALLOW SUITABLE TIME FRAME FOR DESIGN PROCESS SHOULD EXISTING ARRANGEMENT BE DEEMED INADEQUATE.

TYPICAL WORKS:-
100mm DP (APPROX) CONCRETE FLOOR PLUS TONGUE AND GROOVE BOARDING TO BE CAREFULLY REMOVED AND REPLACED WITH 38mm THICK P6 MOISTURE RESISTANT (MR) MEZZANINE BOARD SCREW FIXED TO TOP OF EXISTING / NEW JOISTS.

DESIGN ISSUE

SCHEME DESIGNED IN ACCORDANCE WITH:-

- BS EN 1991 - ACTIONS ON STRUCTURES
- BS EN 1992 - CONCRETE STRUCTURES
- BS EN 1993 - STEEL STRUCTURES
- BS EN 1995 - TIMBER STRUCTURES
- BS EN 1996 - MASONRY STRUCTURES
- BS EN 1997 - GEOTECHNICAL DESIGN AND RELEVANT UK NATIONAL ANNEXES.

ALL DETAILS SHOWN ARE SUBJECT TO FULL DESIGN TEAM / MAIN CONTRACTOR AND THEIR INTENDED SUB-CONTRACTOR'S CO-ORDINATION AT AN EARLY STAGE TO INCORPORATE ANY ADDITIONAL STRUCTURE THEY MAY REQUIRE.

SUBTENO ENGINEERING CONSULTANTS ACCEPT NO RESPONSIBILITY FOR OMISSION OF ITEMS OF SECONDARY SUPPORT REQUIRED IF FULL CO-ORDINATION HAS NOT TAKEN PLACE BETWEEN RELEVANT SUB-CONTRACTORS AND ADVISED SUBTENO ENGINEERING CONSULTANTS ACCORDINGLY.

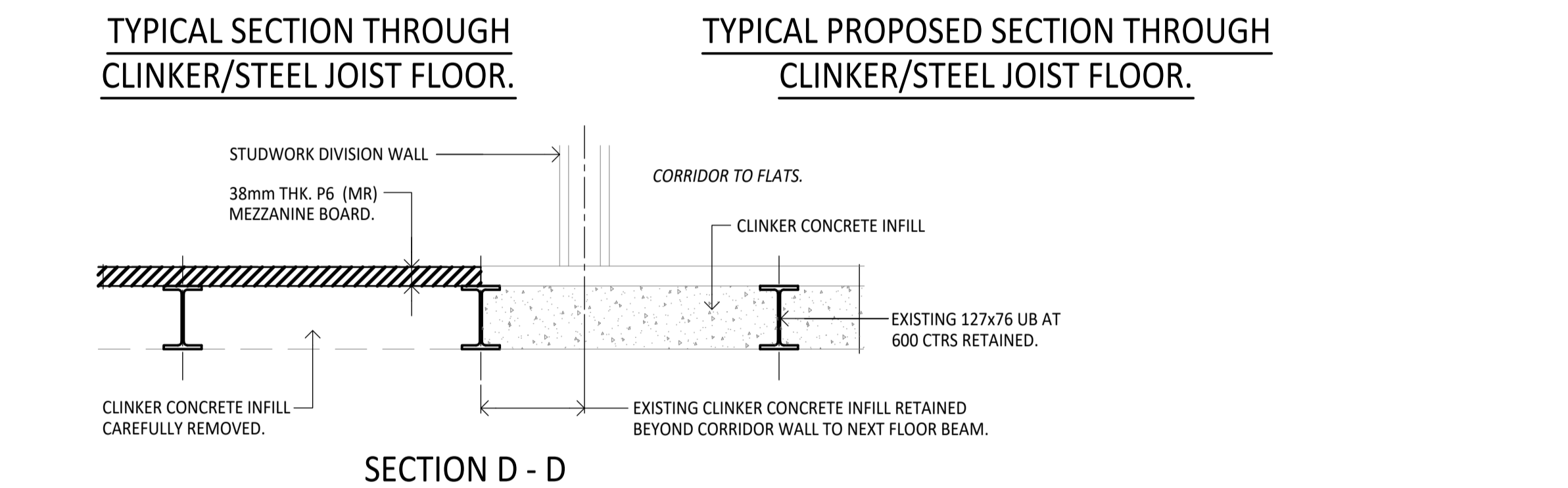
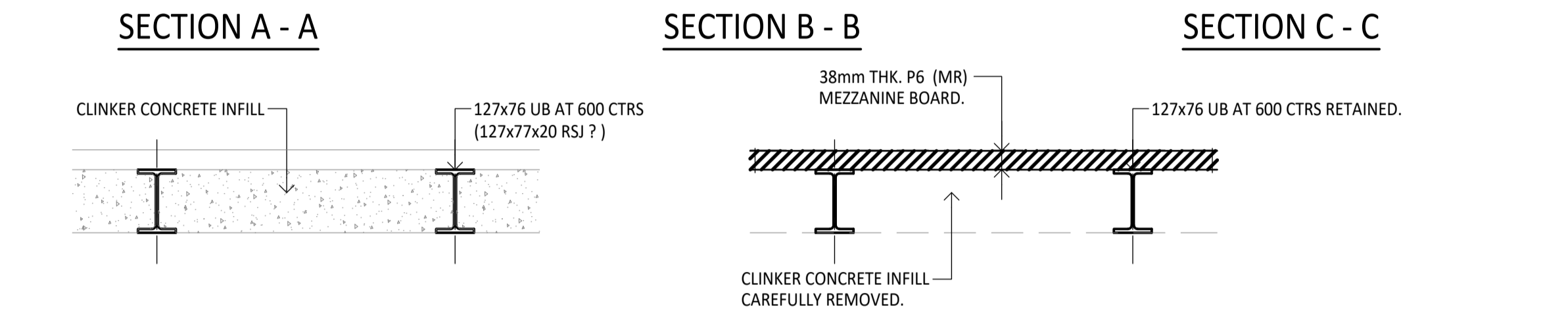
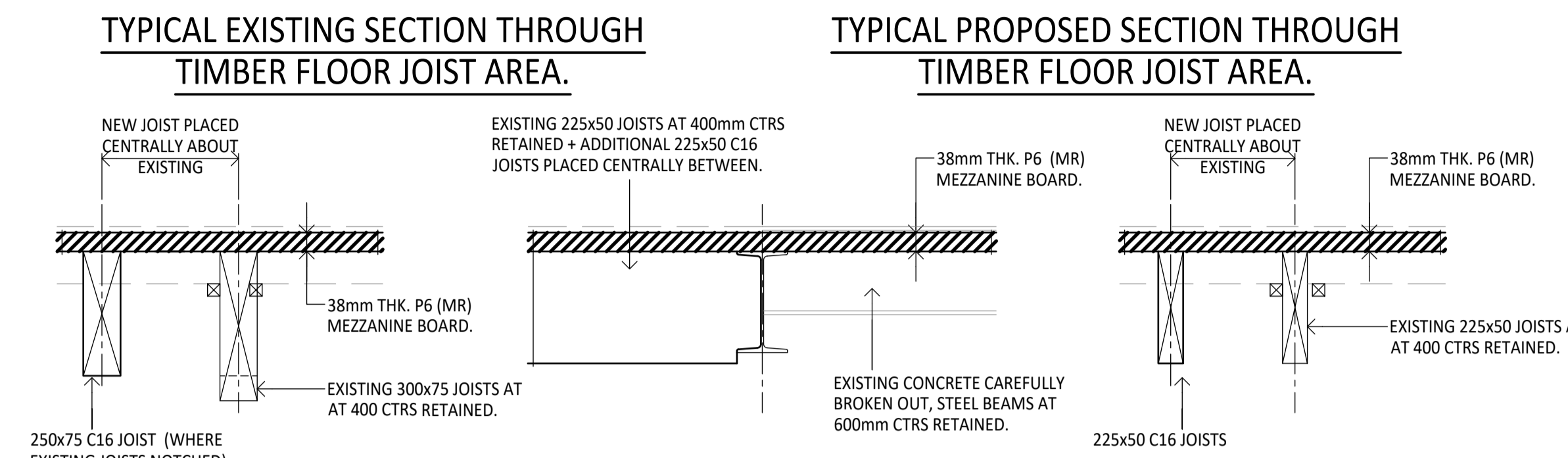
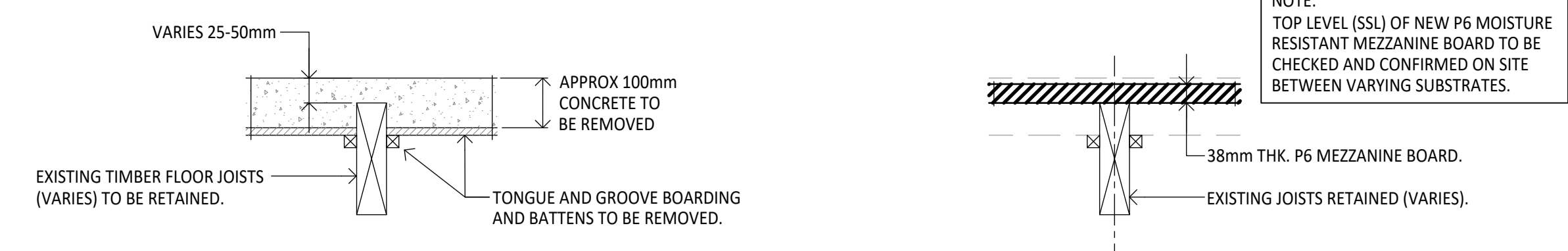
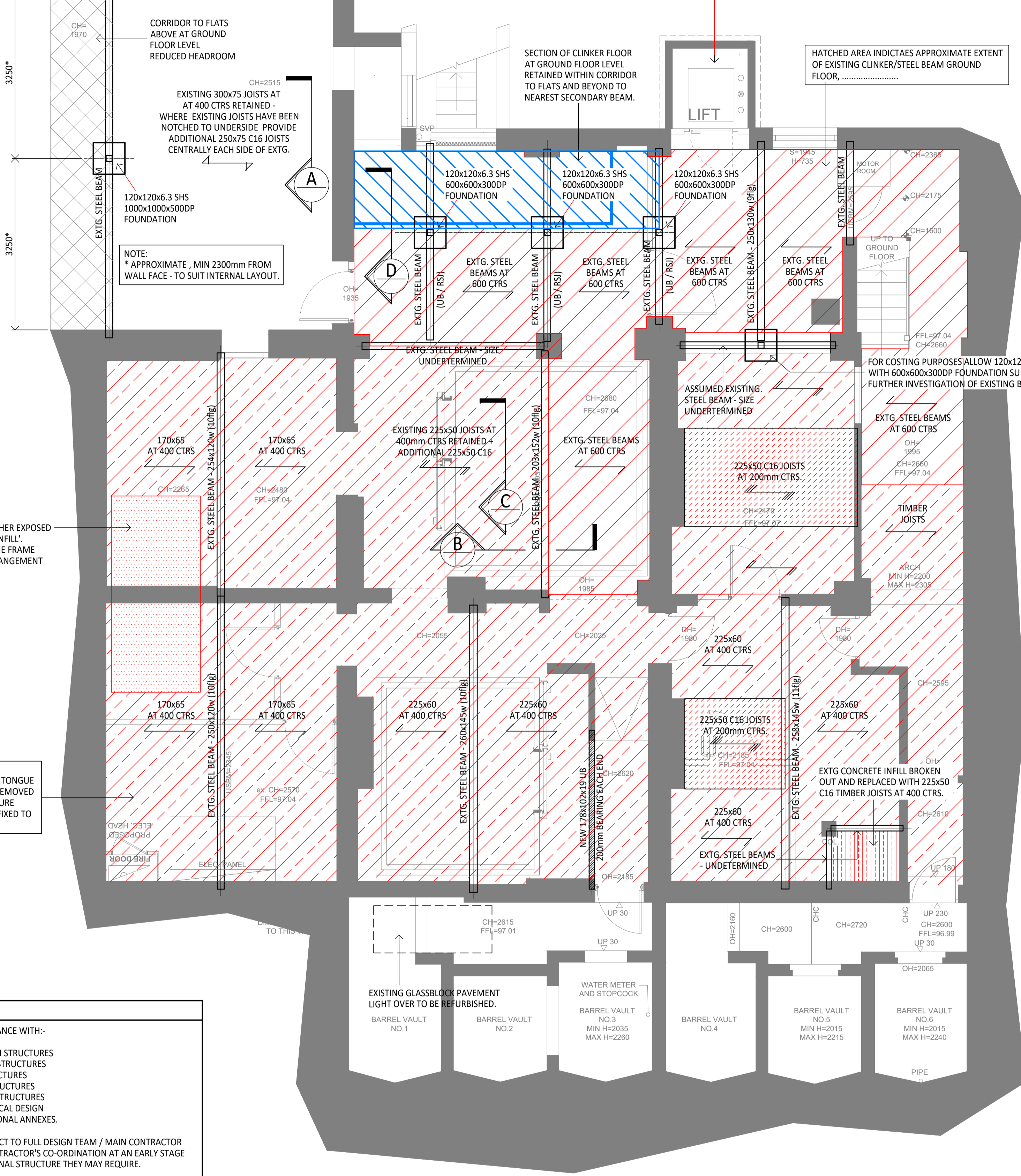
CDM NOTE

MAIN CONTRACTOR TO CONFIRM LOCATION OF ALL BELOW GROUND SERVICES PRIOR TO COMMENCING GROUND WORKS. NO BUILD OVER WORKS ARE TO BE UNDERTAKEN WITHOUT RELEVANT PERMITS / STATUTORY AGREEMENTS.

HOLDING DOWN BOLTS TO BE FULLY TIGHTENED AND BASEPLATES FULLY GROUTED PRIOR TO IMPOSING CONSTRUCTION OR PERMANENT LOADS TO AVOID INSTABILITY OF THE STEEL FRAME.

NOTE
JOIST SIZES ARE BASED ON LIMITED SITE INVESTIGATION WORKS AND SUBJECT TO CONFIRMATION BY MORE THOROUGH INTRUSIVE INVESTIGATIONS

Possible underpinning of existing lift shaft.



- GENERAL NOTES:**
- THIS DRAWING IS TO BE READ WITH ALL OTHER CIVIL AND STRUCTURAL DRAWINGS, ARCHITECT'S DRAWINGS AND NBS SPECIFICATION. PRELIMINARIES AND GENERAL CONDITIONS. THIS DRAWING SHOULD BE REGARDED AS THE STRUCTURAL ENGINEERING SPECIFICATION.
 - WORKS NOT CONSTRUCTED IN ACCORDANCE TO THE SPECIFICATION AND DRAWINGS, OR WHERE DIMENSIONS AND OTHER INFORMATION CONFLICT, MUST BE REPORTED TO THE CONTRACT ADMINISTRATOR AT THE EARLIEST OPPORTUNITY.
- NON-CONFORMANCE - WHERE NOT CONSTRUCTED IN ACCORDANCE WITH THE DRAWINGS OR SPECIFICATION PROVIDE ALL TESTING AND REMEDIAL WORKS TO SATISFACTION OF CONTRACT ADMINISTRATOR.
- LOADING / DESIGN CRITERIA**
- STEEL / TIMBER JOISTS WITH PARTICLE BOARD ZONES.
- GROUND FLOOR - (DEAD) = 0.9kN/m²
GROUND FLOOR - (LIVE) = 5.0kN/m²
- STEEL JOIST WITH CONCRETE INFILL ZONES.
- GROUND FLOOR - (DEAD) = 4.1kN/m²
GROUND FLOOR - (LIVE) = 5.0kN/m²
- FOUNDATIONS AND GROUND WORKS**
- ALL CONCRETE WORKS, REINFORCEMENT, WORKMANSHIP, PROPPING ETC. TO BE IN ACCORDANCE WITH EUROCODE 2 AND RELEVANT SUBTENO SPECIFICATIONS
 - FOUNDATION CONCRETE TO BE GRADE GEN3.
 - NOTING MINIMUM DEPTH REQUIREMENTS ON THE DRAWING ALL FOUNDATIONS SHALL BE TAKEN DOWN TO THE NATURAL GROUND STRUCTURE OR WELL COMPACTED FILL FOUNDING STRATUM CAPABLE OF PROVIDING A SAFE BEARING PRESSURE OF AT LEAST 150kN/m² NET INCREASE (ASSUMED). SHOULD 150kN/m² BE UNACHIEVABLE, SUBTENO ENGINEERING CONSULTANTS ARE TO BE INFORMED IMMEDIATELY PRIOR TO THE COMMENCEMENT OF ANY EXCAVATION WORKS SO THAT ANY ADJUSTMENTS TO THE SCHEME MAY BE UNDERTAKEN AS NECESSARY.
 - UNLESS SPECIFICALLY NOTED OTHERWISE, ALL INDIVIDUAL FOUNDATIONS ARE TO BE OF MASS CONCRETE, SET OUT SYMMETRICALLY ABOUT WALL / COLUMN CENTRE LINES. FOR STANCHION AND HOLDING DOWN BOLT SETTING OUT DETAILS, REFER TO THE FRAME SUB-CONTRACTORS LAYOUT DRAWINGS.
 - ANY OBSTRUCTIONS ENCOUNTERED (REDUNDANT FOUNDATIONS / DISUSED SEWERS ETC) IN THE GROUND ARE TO BE REMOVED FOR THE EXTENT OF THE FOUNDATIONS AND BACKFILLED TO THE APPROVAL OF THE ENGINEER.
 - ANY SOFT SPOTS FOUND ARE TO BE REMOVED AND REPLACED WITH LEAN MIX CONCRETE.
- STRUCTURAL STEELWORK (BS EN 1993-1-1: 2005)**
- STRUCTURAL STEELWORK IS TO BE FABRICATED AND ERECTED IN ACCORDANCE WITH THE LATEST EDITION OF THE NATIONAL STRUCTURAL SPECIFICATION (NSSS).
 - ALL STEELWORK HAS BEEN DESIGNED IN ACCORDANCE WITH BS EN 1993-1-1: 2005. THE CONTRACTOR IS TO DETAIL/DESIGN ALL CONNECTIONS (UNO) CONNECTIONS IN ACCORDANCE WITH EC3 AND BCSA RECOMMENDATIONS TO SAFELY TRANSMIT THE FORCES SHOWN ON THE DRAWINGS. THE CONTRACTOR IS TO PRODUCE AND MAKE AVAILABLE ALL SHOP DRAWINGS TO FABRICATE AND ERECT THE STEELWORKS.
 - ALL STEELWORK TO BE GRADE S355 J2 TO BS EN 10210 AS NOTED IN THE MEMBER SIZES TABLE OR AGREED WITH THE ENGINEER.
 - ALL BOLTS TO BE GRADE 8.8 TO BS3692:1967, MINIMUM 20mm DIA UNLESS NOTED OTHERWISE, AND SHERADISED OR SPUN GALVANISED. HD BOLTS TO BE 4N20 GALVANISED BOLTS WITH 100x100 SQ. WASHER PLATES.
 - PLATES TO BE MIN 10mm THICK, UNLESS NOTED OTHERWISE- CONNECTION DESIGN TO STEEL FABRICATOR. WELDS TO BE MIN 6mm PFPW UNLESS NOTED OTHERWISE- CONNECTION DESIGN TO STEEL FABRICATOR.
 - ALL PLAN DIMENSIONS ARE SHOWN TO CENTRELINES OF BEAMS/COLUMNS UNLESS NOTED OTHERWISE.
 - FOR DETAILS OF WORKSHOP/SITE APPLIED PAINTING REFER TO THE CLIENTS SPECIFICATION. SHOT BLAST STEEL TO SA 2.5 AND PAINT WITH MIN 75 MICRONS DFT OF EPOXY ZINC PRIMER.
 - ALL FIRE PROTECTION TO STEELWORK SHALL BE IN ACCORDANCE WITH THE ARCHITECTS SPECIFICATION
 - ALL CHEMICAL ANCHORS TO BE M20 HIT-RE-500 WITH HAS ADHESIVE ANCHOR U.N.O
 - TEMPORARY STABILITY OF THE STRUCTURE DURING ERECTION / CONSTRUCTION IS THE RESPONSIBILITY OF THE MAIN CONTRACTOR AND STEELWORK CONTRACTOR. ANY TEMPORARY WORKS REQUIRED T ASSIST WITH CONSTRUCTION TO BE DESIGNED BY THEMSELVES UNLESS SPECIFICALLY NOTED OTHERWISE.
 - STEELWORK DETAILS HAVE BEEN PREPARED ON THE BASIS OF LIMITED SITE INVESTIGATION AND EXISTING DRAWINGS. STEELWORK SUB-CONTRACTOR MUST ALLOW FOR SITE SURVEYING AND MEASURING TO ENSURE CORRECT ALIGNMENT BETWEEN NEW AND EXISTING STRUCTURES.
 - THE KNOWN ARRANGEMENT OF WIND BRACING IN THE EXISTING STRUCTURE IS LIMITED. IT IS POSSIBLE THAT EXISTING VERTICAL BRACING WILL BE FOUND WHEN TAKING DOWN EXISTING INTERNAL / EXTERNAL CAVITY WALLS, THESE BRACING MEMBERS MUST NOT BE REMOVED UNTIL THE NEW ALTERNATIVE BRACING HAS BEEN INSTALLED AND NOT REMOVED WITHOUT PRIOR APPROVAL OF THE ENGINEER.
 - WHEREVER FEASIBLY POSSIBLE, CONNECTIONS TO EXISTING STEELWORK TO BE BY BOLTED CONNECTIONS INTO DRILLED (NOT FLAME CUT) HOLES IN EXISTING STEEL MEMBERS. WHERE SITE WELDING TO EXISTING STEELWORK CANNOT BE AVOIDED, PUBLISHED GUIDELINES ON 'HOT WORKING' SHALL BE STRICTLY ADHERED TO AND AS SUCH METHODS SHALL NOT BE COMMENCED UNTIL A DETAILED RISK ASSESSMENT COUNTERSIGNED BY THE MAIN CONTRACTORS HEALTH AND SAFETY REPRESENTATIVE.

BASEMENT PLAN INDICATING GROUND FLOOR CONSTRUCTION OVER

P02	PRELIMINARY ISSUE - FOR COSTING PURPOSES	TJN	ZX	28.11.23
P01	PRELIMINARY ISSUE	TJN	ZX	27.11.23
REV	DESCRIPTION	BY	CKD	DATE

DRAWING STATUS

INFORMATION

CLIENT

WILLIAMS SOUTHERN LIMITED CONSTRUCTION

PROJECT

SAINSBURYS LOCAL HOVE, BN3 2EB

DRAWING TITLE

BASEMENT LAYOUT INDICATING GROUND FLOOR OVER

DRG No. **S230725-SUB-XX-XX-DR-S-00101-S2- P02** REV.

SCALE @ A1	DRAWN	CHECKED	DATE
1:50	A J DYE	ZX	NOV 23

CRAFTON HOUSE, ROSEBERRY BUSINESS PARK MENTMORE WAY, PORINGLAND, NORWICH NR14 7XP
EMAIL SOLUTIONS@SUBTENO.CO.UK

Subteno
Engineering Consultants
Supporting construction and the environment

COPYRIGHT SUBTENO SUBTENO REF. S230725