

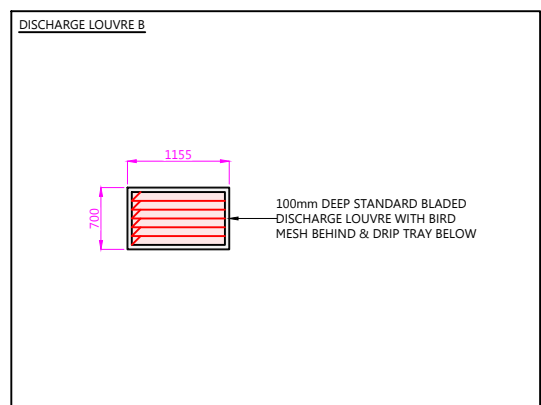
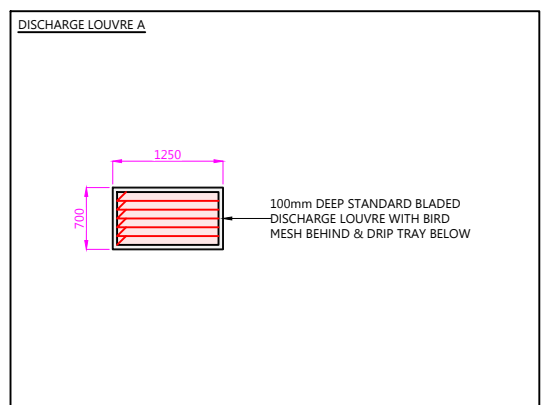
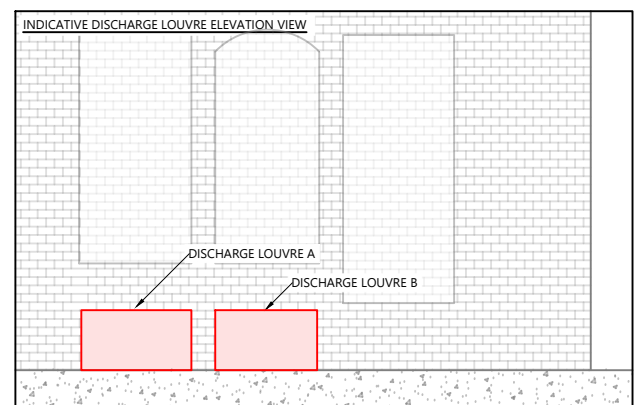
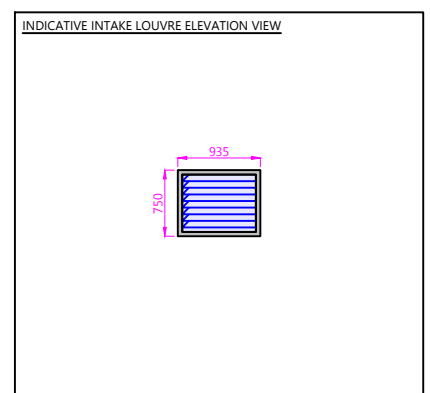
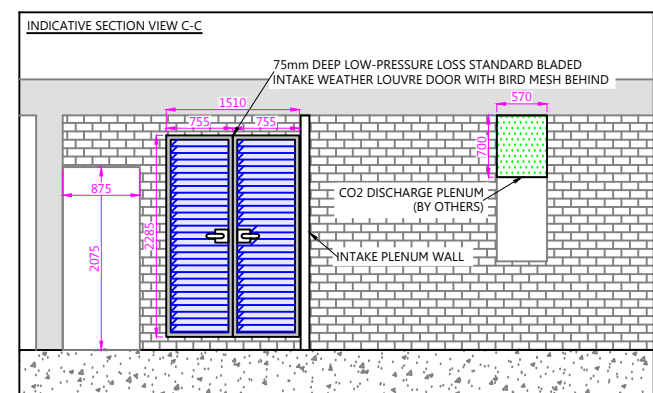
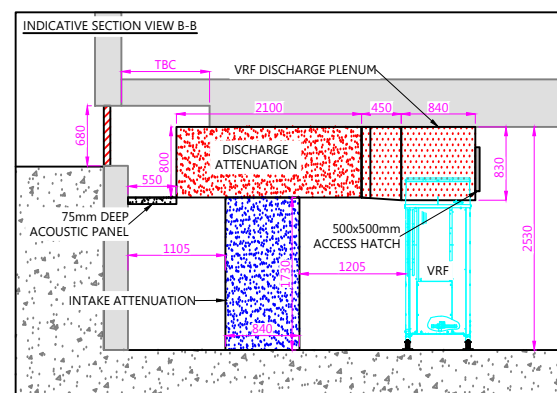
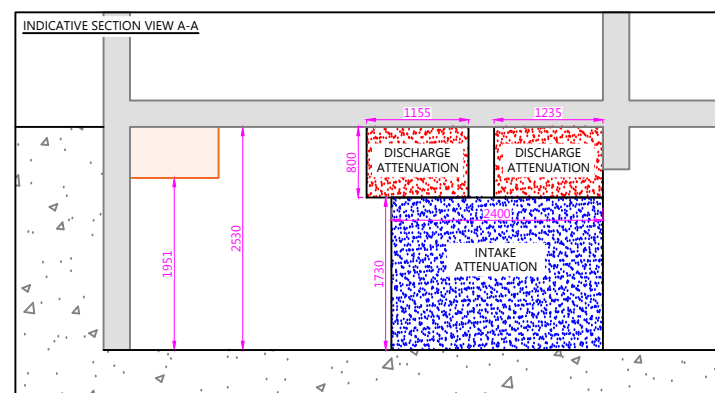
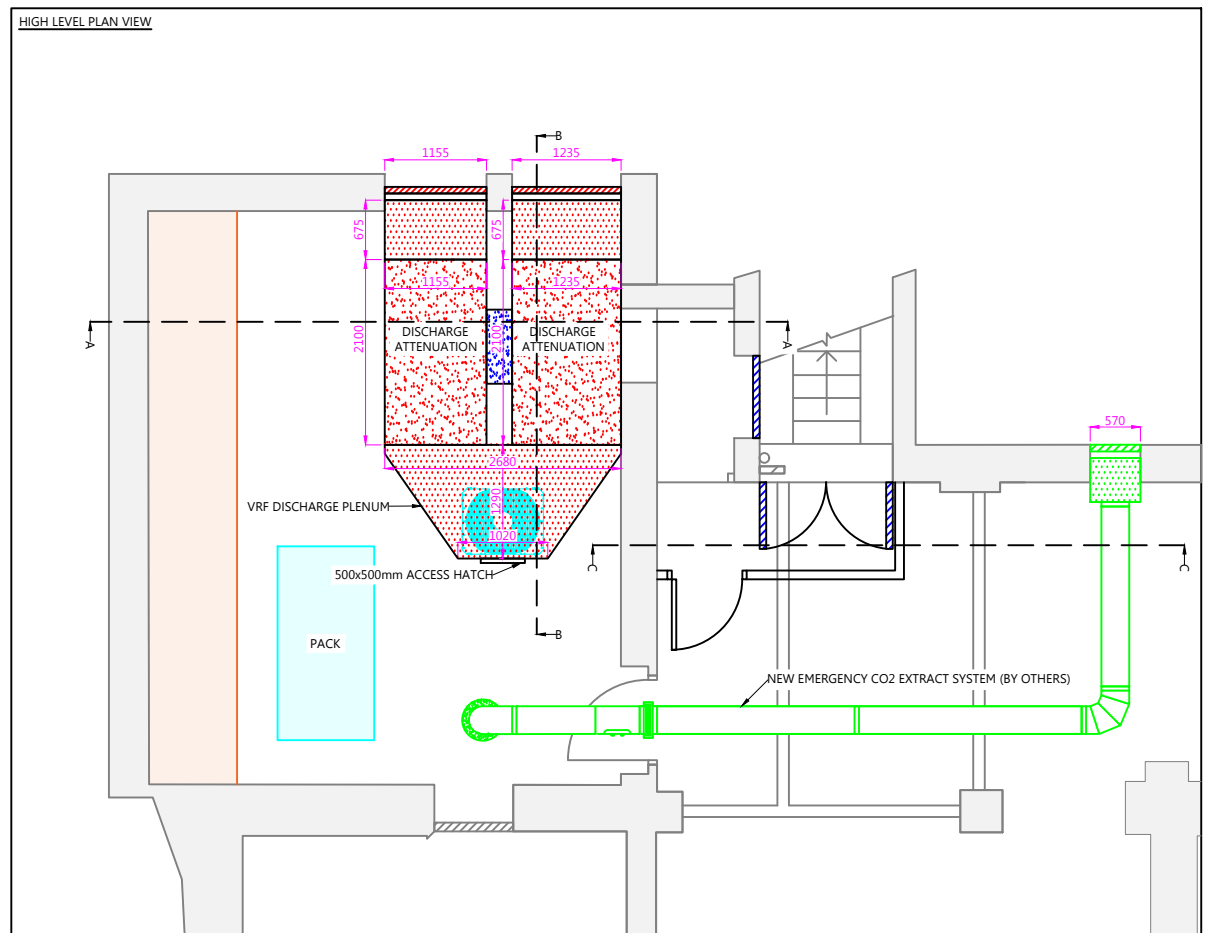
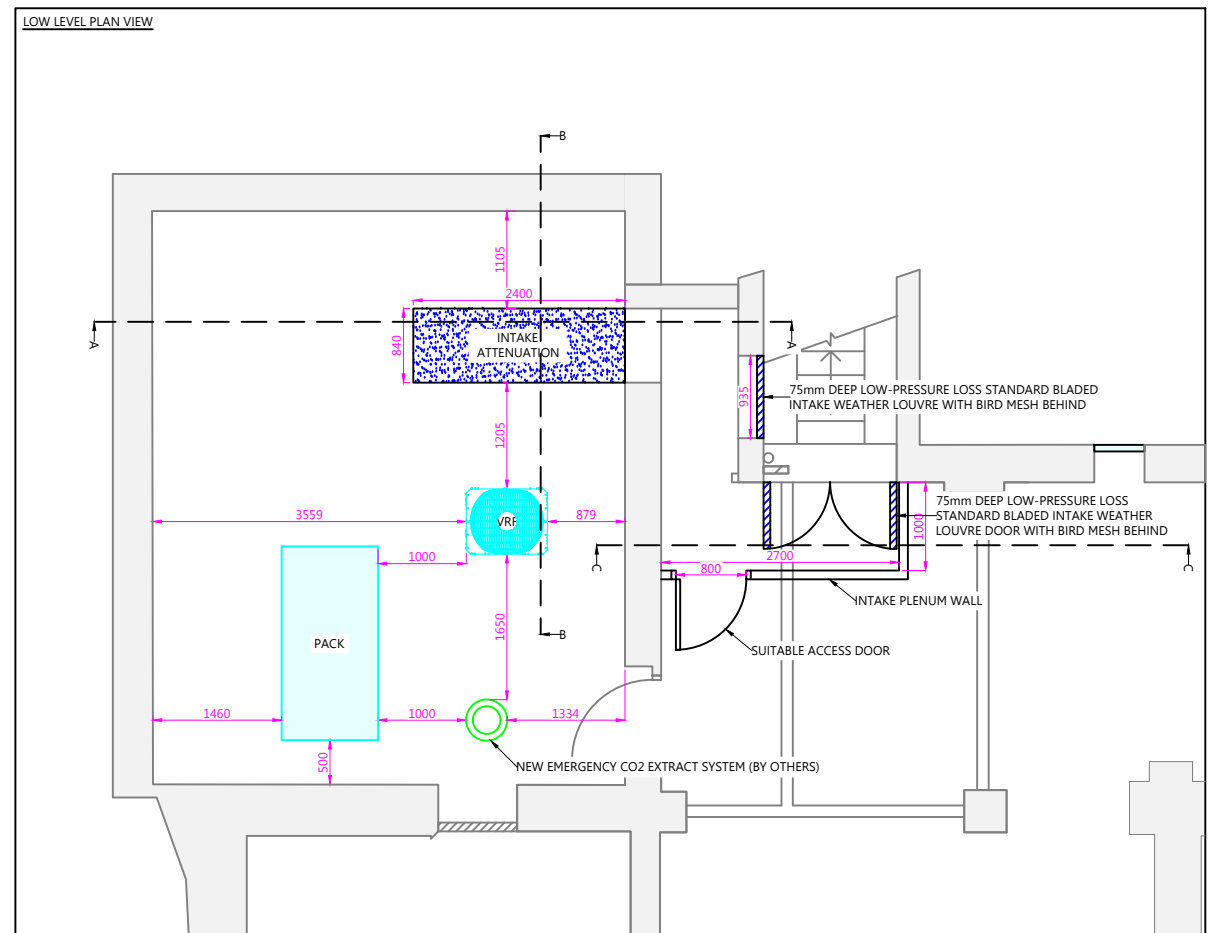
Project: Sainsbury's Local,  
100-102 Church Road,  
Hove,  
BN3 2EB

Title: Proposed Layout of Plant Area

Client: Airkool

Drawing No: RF87444 SK005A

Scale: N/A      Projection: 



PLEASE NOTE:  
- THIS IS A PRELIMINARY NSL DRAWING AND SHOULD NOT BE ISSUED FOR MANUFACTURE OR INSTALLATION.

FAN ELECTRICAL LOADS & DATA	
TYPE OF FAN:	SCD315/4-3AC - CASED AXIAL FAN
NUMBER OF FANS:	1 OFF
MOTOR POWER:	0.120 kW
MOTOR FLC / START (DOL) CURRENT:	0.33 Amps
ELECTRICAL SUPPLY:	380V - 415V / 3PH / 50Hz
NUMBER OF POLES:	4
SPEED:	1435 RPM

PLEASE NOTE:  
ALL THE ABOVE FANS ARE TO BE CONTROLLED BY INVERTORS/ THERMOSTATS/ CONTROLLERS/ CONTROLS BY OTHERS INCLUDING ANY EMERGENCY CONTROLS ETC.

17/11/22      A      Issued For Discussion (NP/DB)  
Date:      Rev:      Description (DRAWN/CHECKED):

Notes:  
All dimensions in millimetres.  
Louvres to be painted to any standard RAL or BS colour.  
All plant to be fitted with suitable anti-vibration mounts.



Unit 5  
Oriel Court  
Omega Park  
Alton  
GU34 2YT  
Tel. 01252 519881  
www.noisesolutions.co.uk

This drawing is the sole property of Noise Solutions Ltd. It must not be copied or lent without their prior knowledge and consent.