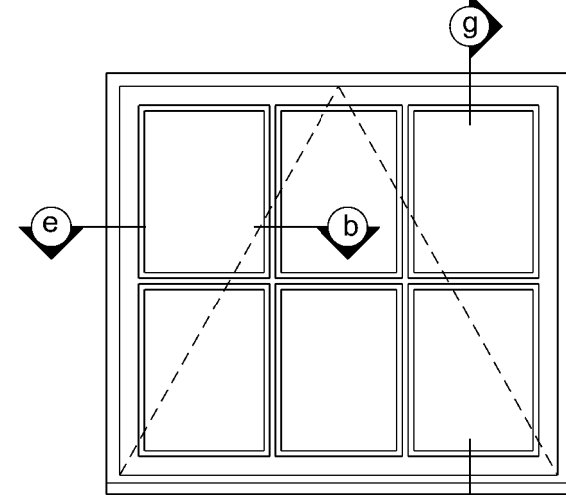
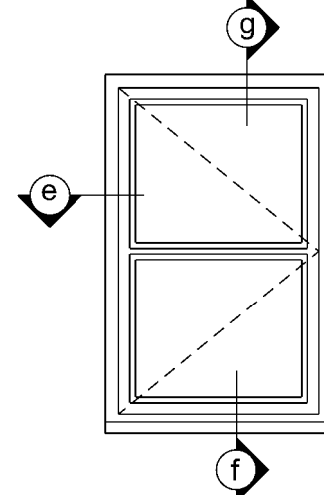


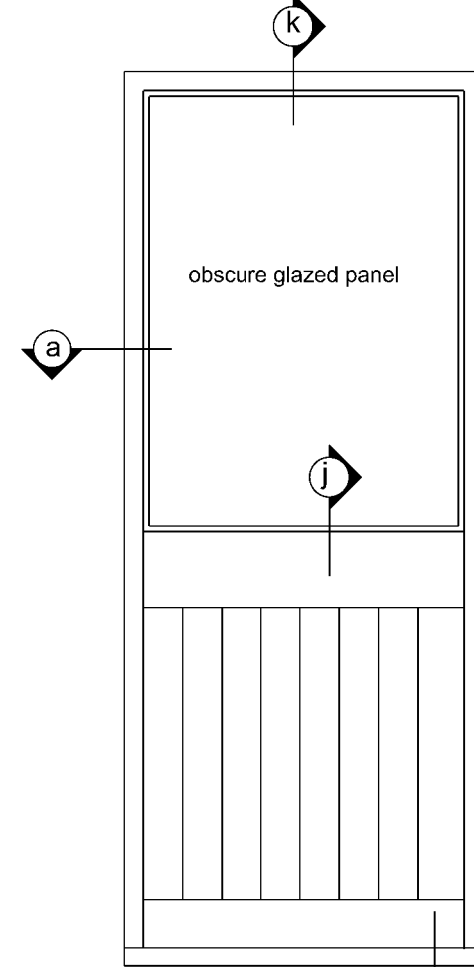
WINDOW W1
 2 NO. THUS:
 1 NO. - WEST ELEVATION
 1 NO. - EAST ELEVATION
 Hardwood fixed window



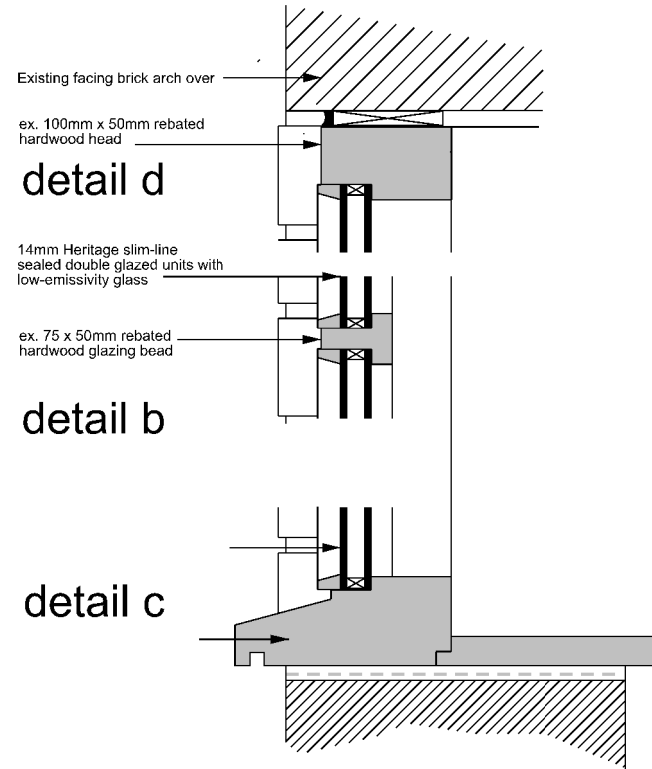
WINDOW W2
 2 NO. THUS:
 EAST ELEVATION
 Hardwood top-hung casement window



WINDOW W2
 2 NO. THUS:
 SOUTH ELEVATION
 Hardwood side-hung casement window



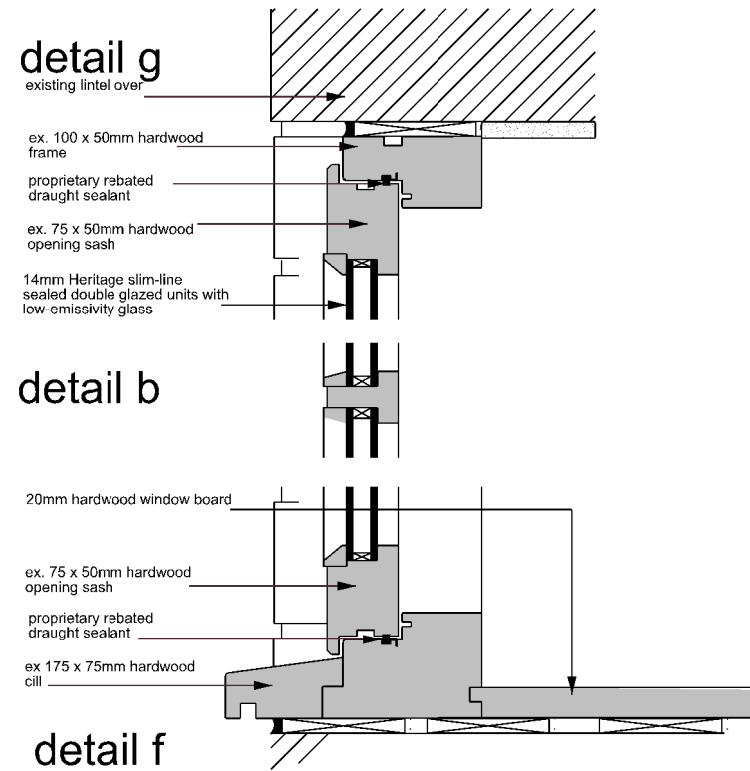
WINDOW W2
 1 NO. THUS:
 NORTH ELEVATION
 Hardwood framed fixed panel



detail d

detail b

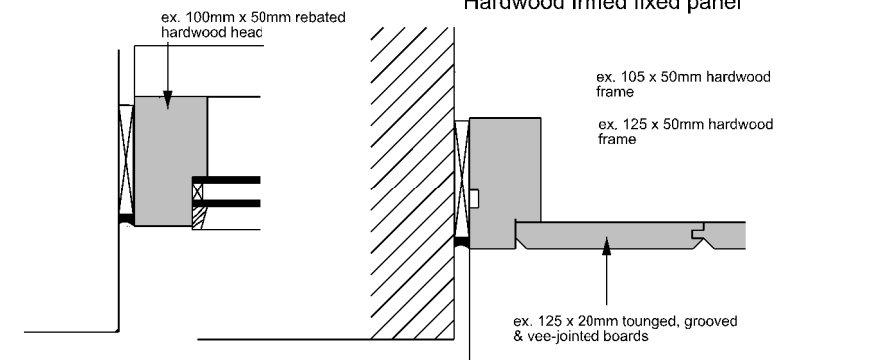
detail c



detail g

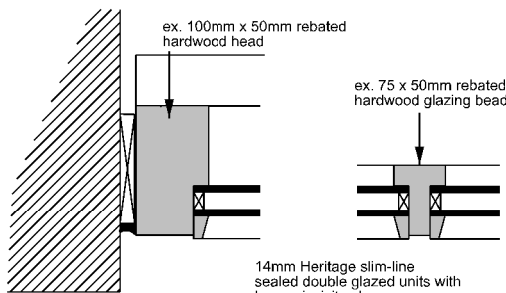
detail b

detail f



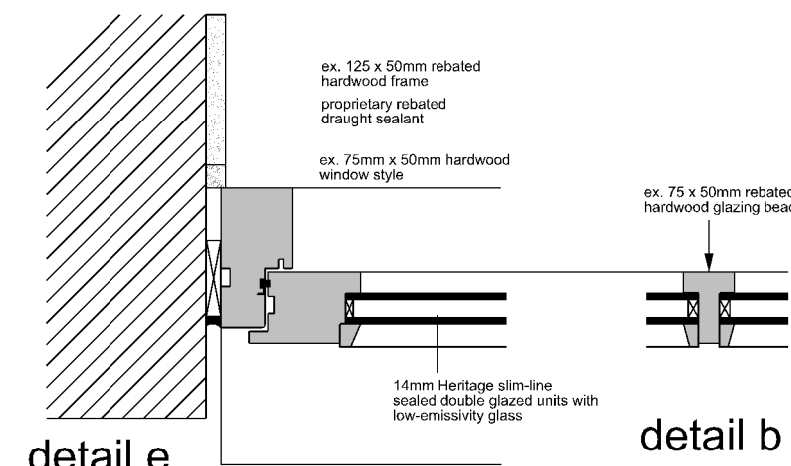
detail a

detail a



detail a

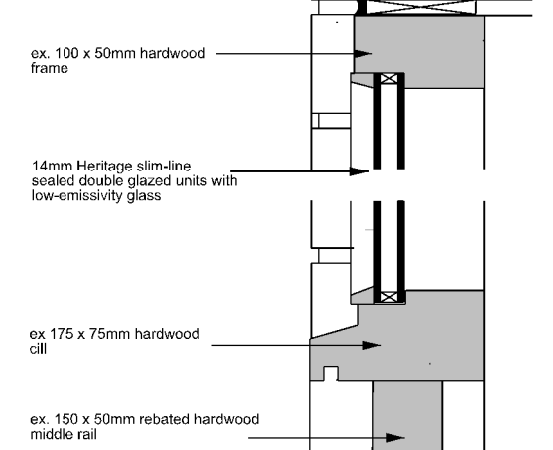
detail b



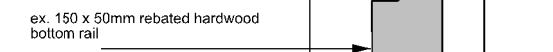
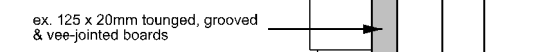
detail e

detail b

detail k



detail j



detail h

client
 Medwell Hyde Ltd.

project
 Kites Nest Farm
 Kites Nest Lane,
 Beausale,
 Warwick
 CV35 7PB

drawing title
 Outbuilding Door & Window Details -
 Sheet 1 of 2

scale
 1:20 & 1:5 @ A3

project
2065

date
 january 2024

drawing number
DW1