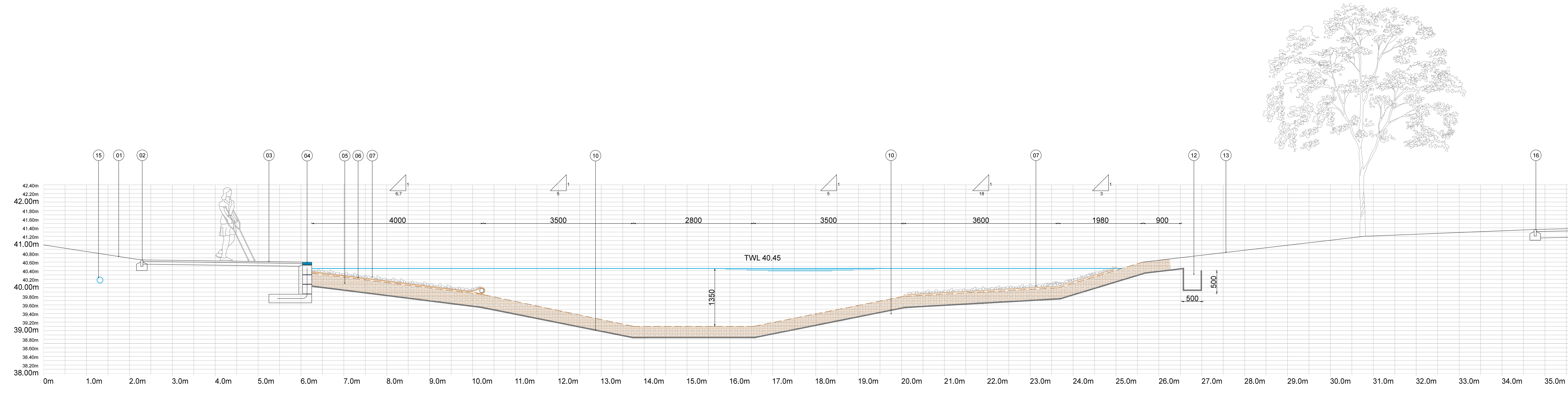


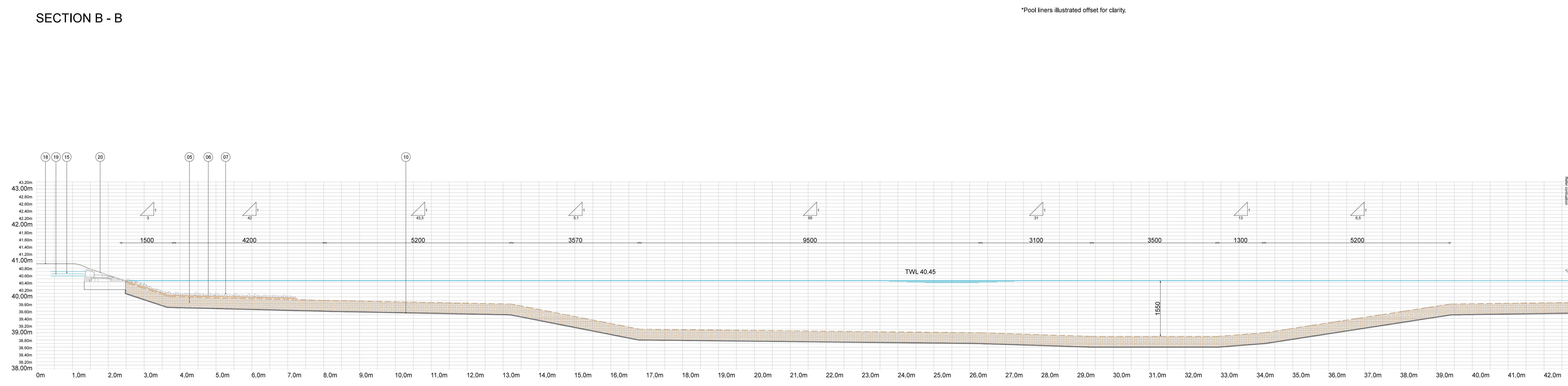
SECTION A - A

\*Pool liners illustrated offset for clarity.



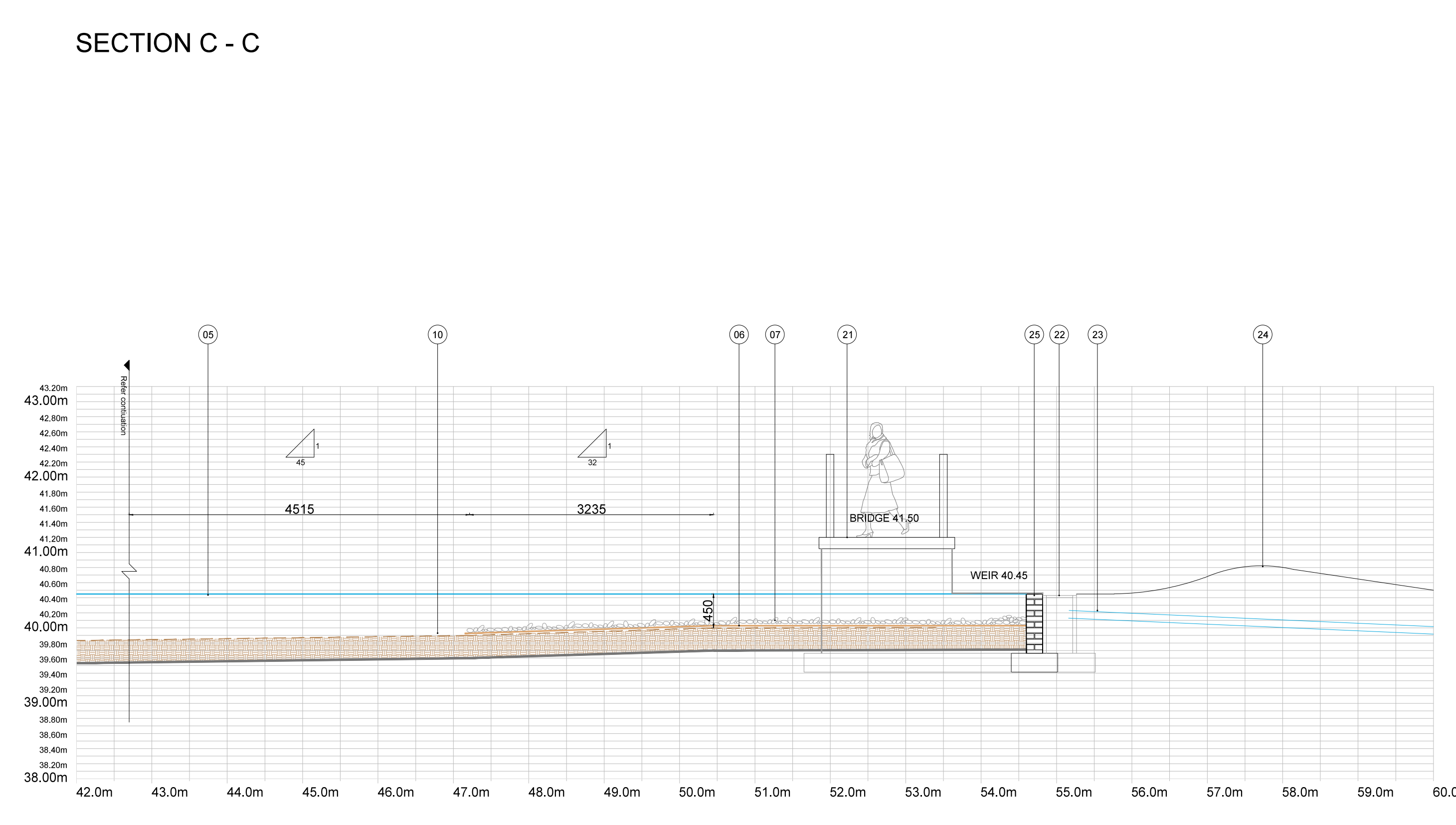
SECTION B - B

\*Pool liners illustrated offset for clarity.



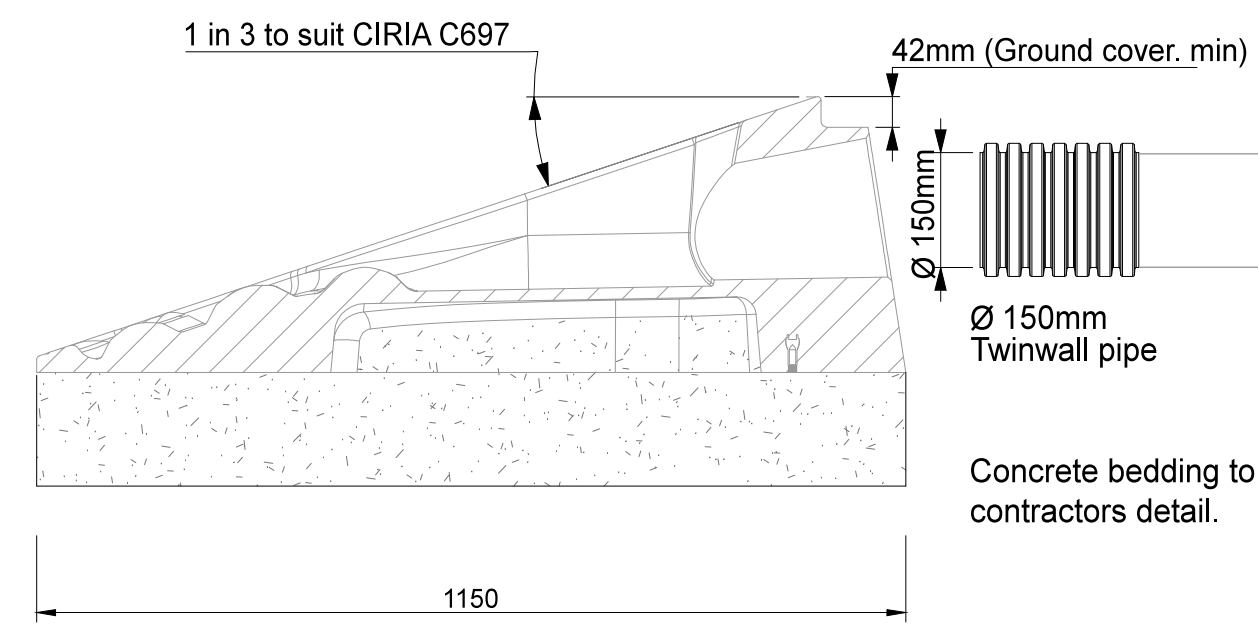
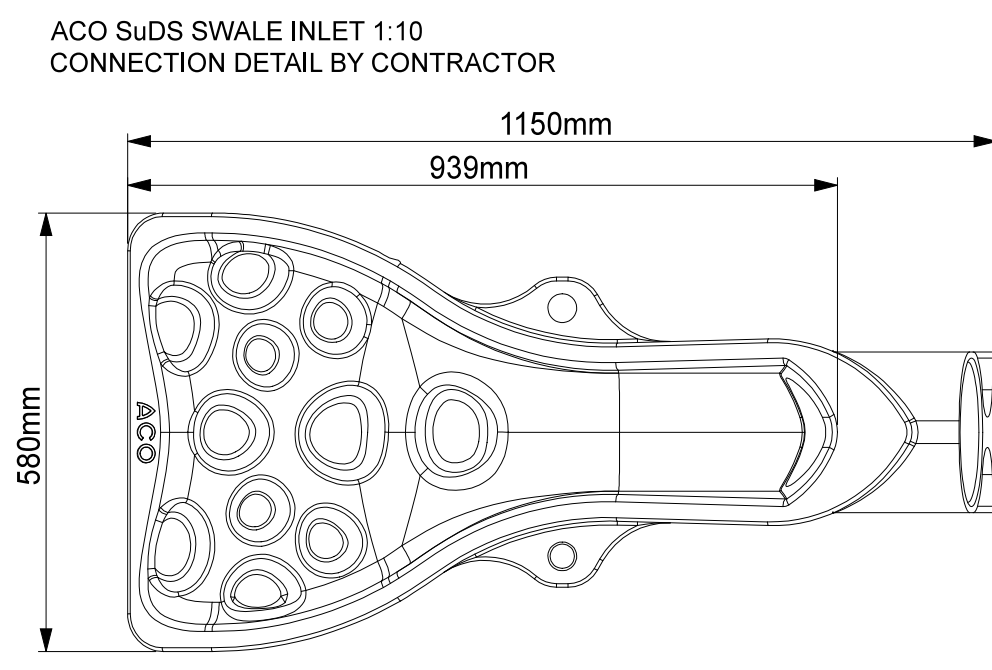
SECTION C - C

\*Pool liners illustrated offset for clarity.

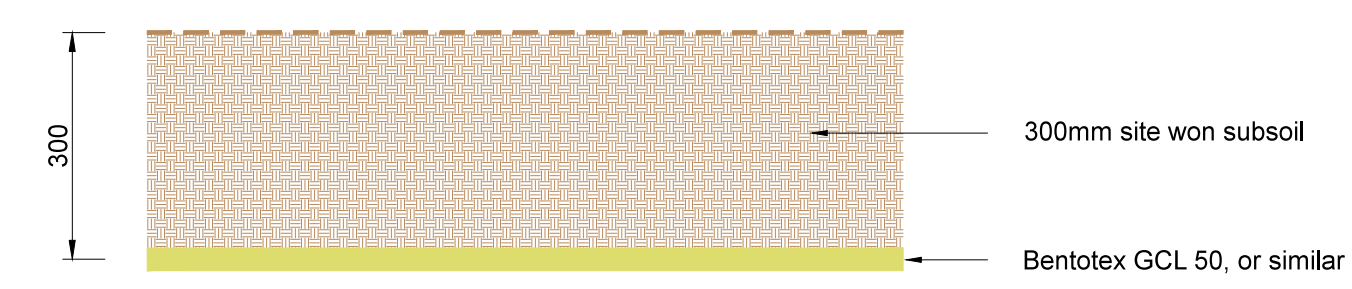


SECTION C - C continued

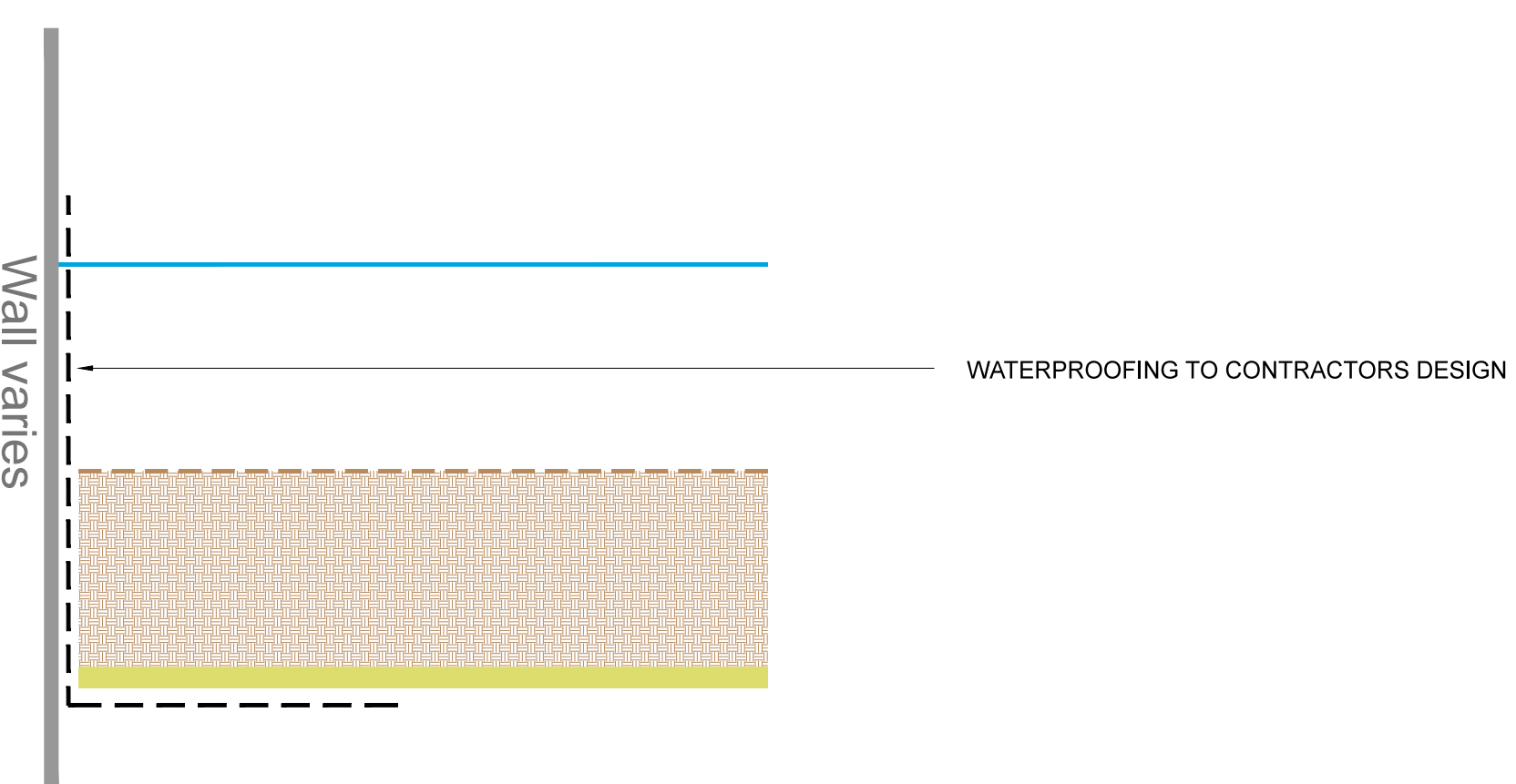
\*Pool liners illustrated offset for clarity.



POOL LINER/ BUILD-UP, TYPICAL DETAIL 1:10



POOL PERIMETER WATERPROOFING DETAIL BY CONTRACTOR



**BRINTON PARK**  
THE DETAILED DESIGN AND SPECIFICATION OF THE POOL EDGE ANCHOR TRENCH, WATERPROOFING, SUMP CHAMBER AND BOREHOLE PIPE CONNECTION ARE CONTRACTOR DESIGN PORTIONS (CDP) AND ARE TO BE PROGRESSED AND CONFIRMED BY THE TENDERING CONTRACTOR.

01 - TIE IN TO EXISTING LANDFORM. REFER TO TOPOGRAPHIC SURVEY 53088-Topo-1A.  
02 - NEW PATH EDGING. REFER TO DRAWING L-0214, L-0211-D03  
03 - NEW PATH EDGING. REFER TO DRAWINGS L-0214, L-0211-D05.  
04 - POND EDGING. 215mm CONCRETE WALL WITH CONCRETE INFILL ALLOWANCE FOR CONCRETE FOUNDATION AND RE-6M4 TO ENGINEERS DETAILS. BLUE BRICK PAVING AS WALL CORING/ PATH EDGING. REFER DETAIL L-0233-D01.  
05 - 300mm SITE WON SUBSOIL COVER PLACED ABOVE BENTONITE GEOTEXTILE LAYER.  
06 - GEOTEXTILE PROTECTION LAYER TO POOL PERIMETER WITH RIVER WASHED COBBLES OVERLAD. GENERALLY 4.0M WIDTH. GEOTEXTILE TO BE WRAPPED AROUND PERFORATED PIPE WHERE SLOPES GREATER THAN 1:8 TO PREVENT SLOUGHING OF COBBLE MARGINS.  
07 - SINGLE LAYER RIVER WASHED COBBLES 20 - 30mm TO POOL PERIMETER.  
08 - NOT USED  
09 - NOT USED  
10 - POLYPROPYLENE GEOTEXTILE WITH BENTONITE CORE AS LINER TO POOL. BENTONITE 50 GCL OR EQUIVALENT. INSTALL TO MANUFACTURERS RECOMMENDATIONS. GENERALLY HORIZONTAL JOINTS TO BE OVERLAPPED BY MIN. 300mm WITH ADDITIONAL BENTONITE GRANULES TO BE ADDED TO ALL JOINTS TO ASSIST BONDING. REFER J44120A.  
11 - 2 x 1.0m PRE-PLANTED GDR PALLETS TO POND EDGES. SUPPLIED BY TERRAQUA OR EQUIVALENT. 200mm FIXING PEGS TO BE USED TO SECURE PALLETS TO BANK. CARE TO BE TAKEN TO ENSURE LINER IS NOT PUNCTURED. Q31463A.  
12 - ANCHOR TRENCH. MIN. 900mm FROM EDGE OF POOL. 500mm DEPTH WIDTH. FILLED WITH COMPACTED SOIL.  
13 - TIE IN TO EXISTING LANDFORM. REFER TO TOPOGRAPHIC SURVEY 53088-Topo-1A. POOL BANKS TO BE PLANTED. READ IN CONJUNCTION WITH DRAWINGS L-0250, L-0251 AND L-0313.  
14 - NOT USED  
15 - APPROXIMATE POSITION OF BOREHOLE FILLER PIPE CONNECTION DETAILS/ WATERPROOFING BY CONTRACTOR. TO BE READ IN CONJUNCTION WITH HYDROLOGIST DRAWINGS.  
16 - EXISTING PATH. NO WORKS.  
17 - NOT USED  
18 - EXISTING LEVELS TO BE LIFTED LOCALLY TO ENSURE SUFFICIENT COVER ABOVE BOREHOLE FILLER PIPE. MAX. GRADE 1:3 TO PLANTED BANKS. READ IN CONJUNCTION WITH DRAWING L-0313.  
19 - REDUCED DEPTH ANCHOR TRENCH BEHIND BOREHOLE CONNECTION. INCREASING TO RECOMMENDED 500mm DEPTH EITHER SIDE OF PIPE. WATERPROOF CONNECTION TO PIPE TO CONTRACTORS DETAIL.  
20 - PRECAST CONCRETE SWALE INLET/ HEADWALL- SUDS SWALE INLET BY ACO OR EQUIVALENT. IN-SITU CONCRETE FOOTING.  
21 - TIMBER BRIDGE - REFER TO B1B/ H1A DETAILS.  
22 - TRAP/ DEBRIS SLUMP WITH GRATED ACCESS COVER. CHAMBER TO CONTRACTORS DESIGN. TO INCLUDE MESH BASKET OR SIMILAR TO BASE OF SLUMP TO ALLOW DEBRIS/ SILT ACCUMULATION. TO BE PERIODICALLY REMOVED.  
23 - 100mm GRAVITY OUTFLOW TO DELL.  
24 - GRASS BANK TO DELL. MAX GRADIENT 1:3.  
25 - OUTFALL WEIR FORMED AS PART OF BRIDGE SUPPORT STRUCTURE. REFER TO DRAWINGS L-0233 AND L-0234.

**GENERAL:**  
1. CONTRACTOR OF THIS DRAWING IS VESTED BY PLINCKE AND IT MUST NOT BE COPIED OR REPRODUCED WITHOUT CONSENT.  
2. DO NOT SCALE FROM THIS DRAWING.  
3. ALL DIMENSIONS ARE IN METRES UNLESS NOTED OTHERWISE. ONLY FIGURED DIMENSIONS ARE TO BE USED FROM THIS DRAWING.  
4. CONTRACTORS MUST VISIT SITE AND BE RESPONSIBLE FOR TAKING AND CHECKING ALL DIMENSIONS RELATIVE TO THEIR WORK.  
5. PLINCKE SHALL BE NOTIFIED IMMEDIATELY BY EMAIL OF ANY DISCREPANCIES, NATURE AND NUMBER ARISING FROM ANY VARIATION MADE TO THIS DRAWING OR BY THE EXERCISE OF THE WORK TO BE SET OUT HEREIN WHICH HAS NOT BEEN REFERRED TO THIS AND FROM APPROVAL. REFERRED.  
6. ALL PLINCKE DRAWINGS TO BE READ IN CONJUNCTION WITH ALL RELEVANT ARCHITECTURAL, CIVIL ENGINEERING AND SITE ENGINEERING DRAWINGS AND SPECIFICATIONS.

**REFERENCE FILES:**  
1. THIS DRAWING IS BASED ON THE FOLLOWING EXTERNAL CONSULTANT DRAWINGS (DATE RECEIVED):  
CONSULTANT | REFERENCE FILE

**REVISIONS:**

**CLIENT:** COMMUNITY FUND, HERITAGE FUND

**plincke.**

MANCHESTER: 0161 271 9121, north@plincke.com  
RUDBY: 01753 844 2966, north@plincke.com  
LONDON: 0207 784 3334, london@plincke.com

PROJECT TITLE: BRINTON PARK RESTORATION & RENEWAL  
DRAWING TITLE: PROPOSED POOL DESIGN INTENT SECTIONS  
PROJECT NO: 0588 | DRAWING NO: PLI\_C1\_SW\_DR\_L\_0250  
SCALE BAR @ 1:50

**REVISIONS:**

NO.	DESCRIPTION	DATE

**NOTES:**

**CLIENT:** COMMUNITY FUND, HERITAGE FUND

**plincke.**

MANCHESTER: 0161 271 9121, north@plincke.com  
RUDBY: 01753 844 2966, north@plincke.com  
LONDON: 0207 784 3334, london@plincke.com

PROJECT TITLE: BRINTON PARK RESTORATION & RENEWAL  
DRAWING TITLE: PROPOSED POOL DESIGN INTENT SECTIONS  
PROJECT NO: 0588 | DRAWING NO: PLI\_C1\_SW\_DR\_L\_0250  
SCALE BAR @ 1:50