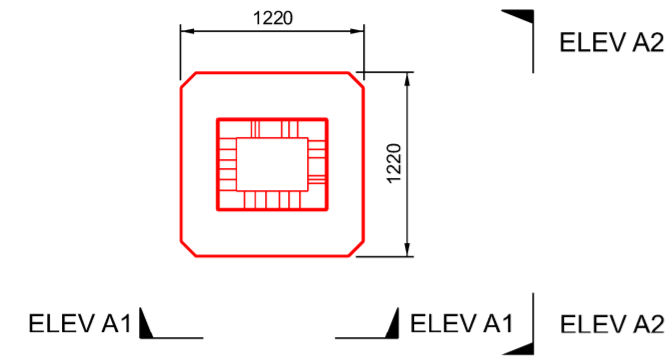
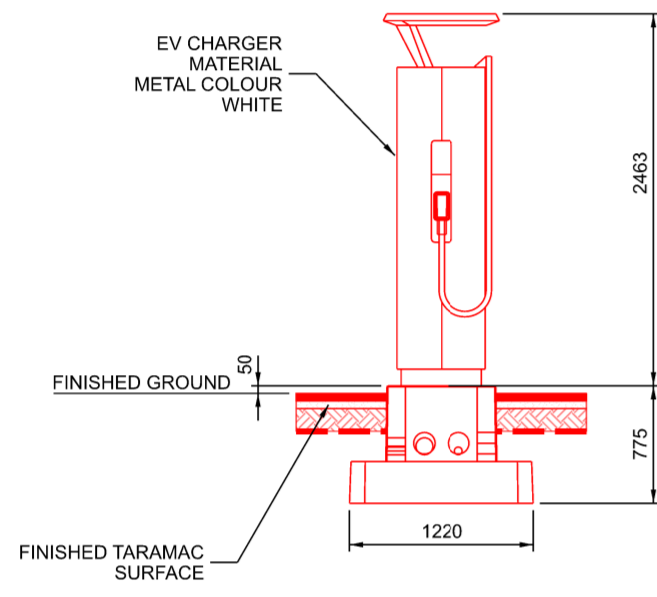


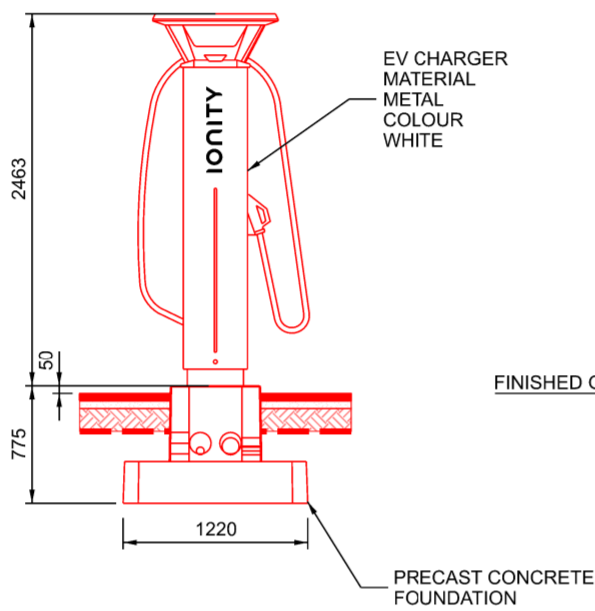
ABB CHARGE POST FOUNDATION PLAN
SCALE 1:50



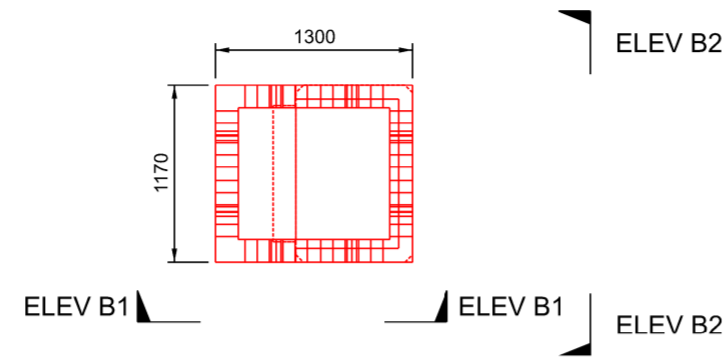
ELEVATION A1
SCALE 1:50



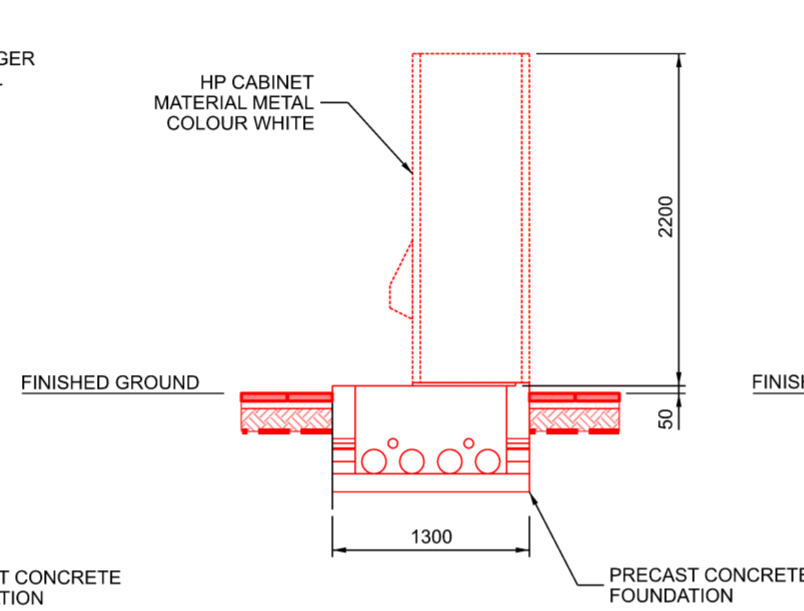
ELEVATION A2
SCALE 1:50



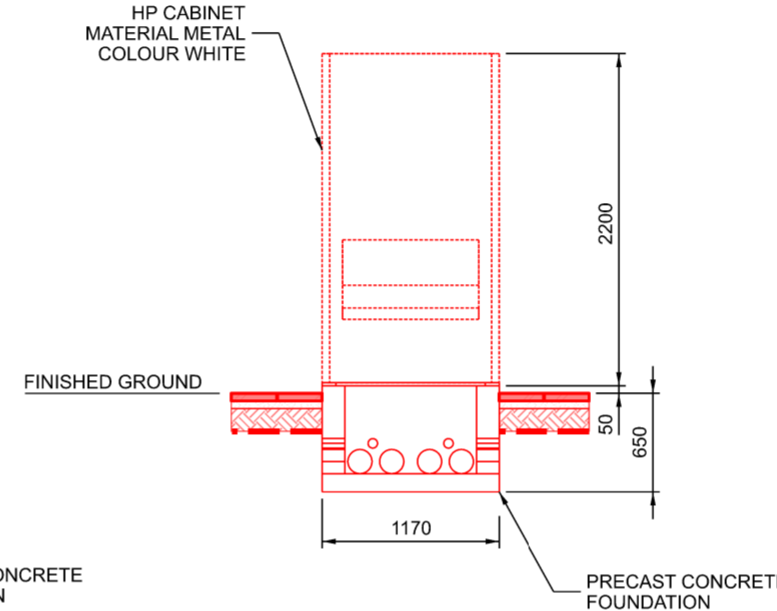
HP CABINET FOUNDATION PLAN
SCALE 1:50



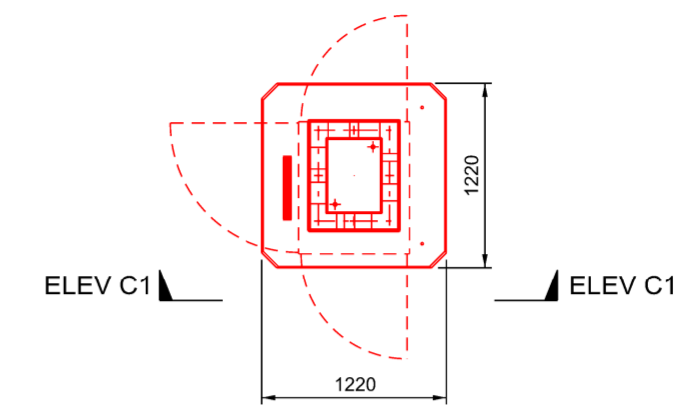
ELEVATION B1
SCALE 1:50



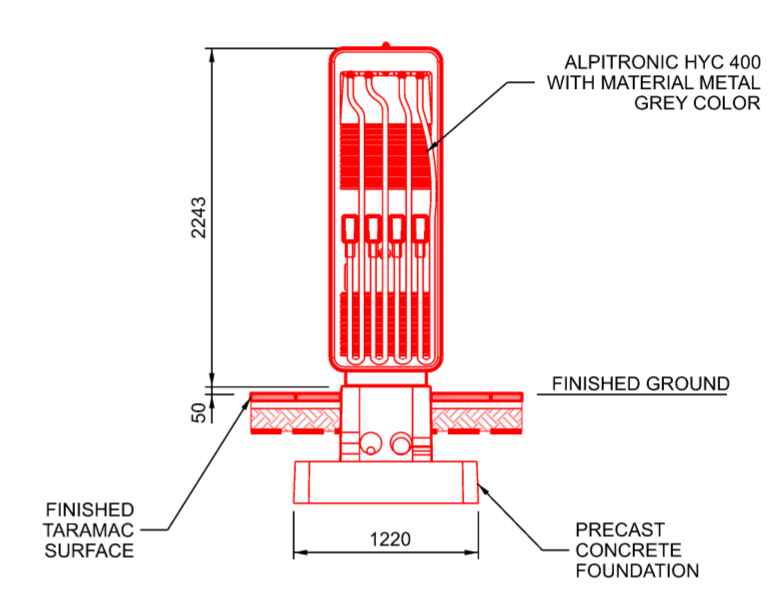
ELEVATION B2
SCALE 1:50



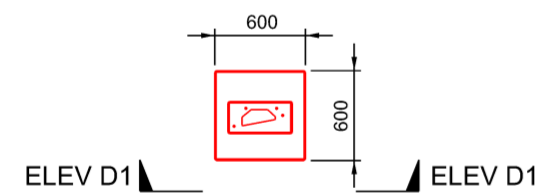
ALPITRONIC HYC 400 CHARGER FOUNDATION PLAN
SCALE 1:50



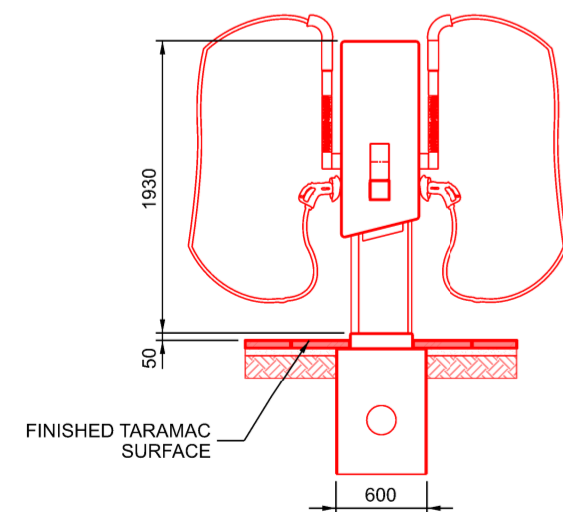
ELEVATION C1
SCALE 1:50



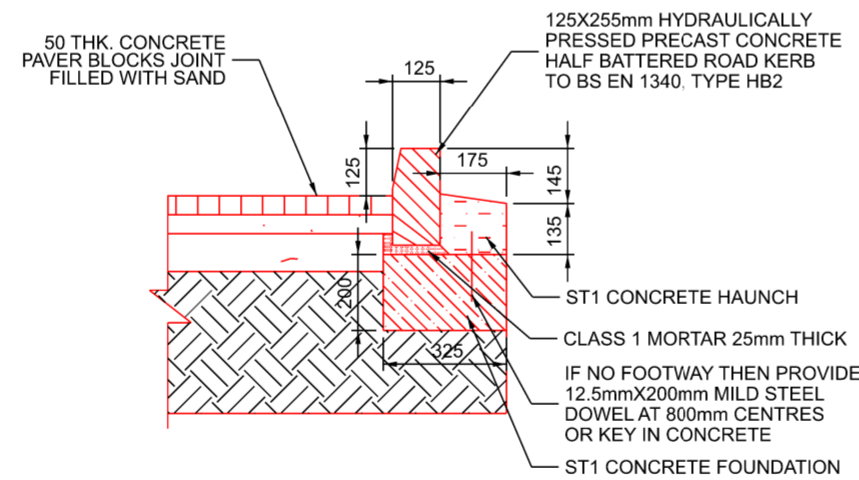
ALPITRONIC HYC 50 CHARGER FOUNDATION PLAN
SCALE 1:50



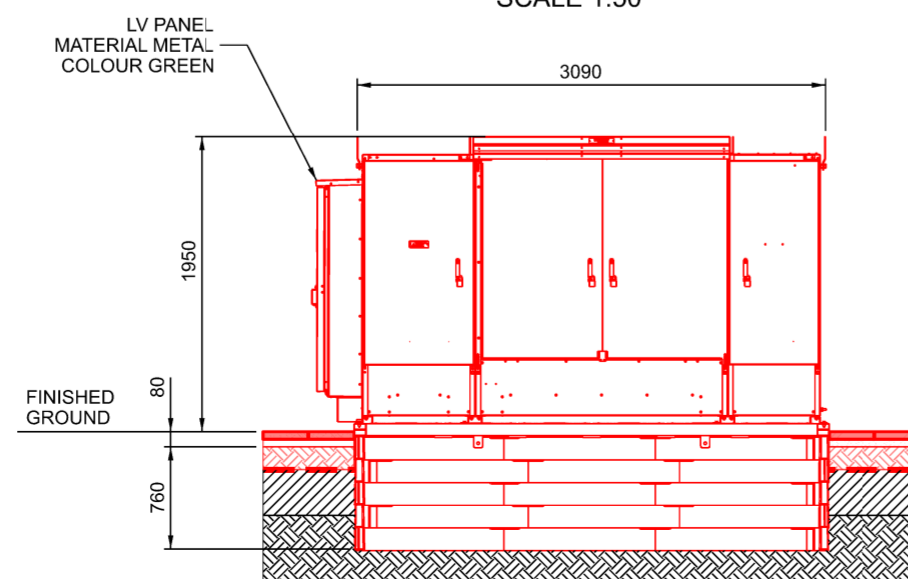
ELEVATION D1
SCALE 1:50



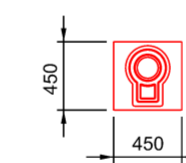
TYPICAL KERB DETAILS
SCALE 1:20



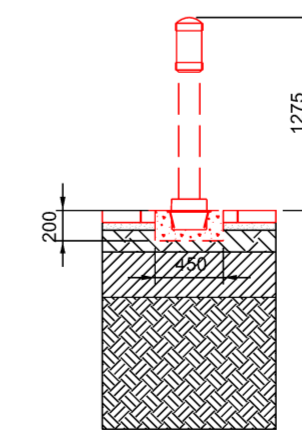
LV PANEL ELEVATION
SCALE 1:50



NAL BOLLARD PLAN
SCALE 1:50



NAL BOLLARD ELEVATION
SCALE 1:50



NOTES:
1. ALL DIMENSIONS ARE IN MILLIMETRES (mm) AND LEVEL ARE IN METERS (m) UNLESS STATED OTHERWISE.

COLOUR CONVENTIONS

- BLACK - EXISTING OR UNCHANGED
- BLUE - MODIFIED OR TO BE MOVED
- GREEN - REDUNDANT OR TO BE REMOVED
- RED - PROPOSED OR ADDITIONAL
- PURPLE - WORKS BY OTHERS/FUTURE WORKS

Rev	Date	Description of Revisions	HP	Chk	App
P01	05/02/24	ISSUED FOR REVIEW			

Suitability S0 - WORK IN PROGRESS



Poise Group Ltd
124 City Road
London
EC1V 2NX

Contractor(s)



Ionity GmbH
Moosacher Strasse 84,
D-80809 Munich
Germany

Project

IONITY
VILLAGE HOTEL
NEWCASTLE

Drawing Title

GENERAL TYPICAL DETAILS

Designed	HARSHAD	Signed		Date	05/02/24
Drawn	HARSHAD	Signed		Date	05/02/24
Checked	Checked	Signed		Date	Date3
Approved	Approved	Signed		Date	Date4

Scale(s)	R.T.D	ELR & Mileage	ELR&Mileage
----------	-------	---------------	-------------

Alternative Reference		Sheet	01 of 01
Drawing Number	8320-POI-DRG-CIV-100016	Revision	P01

