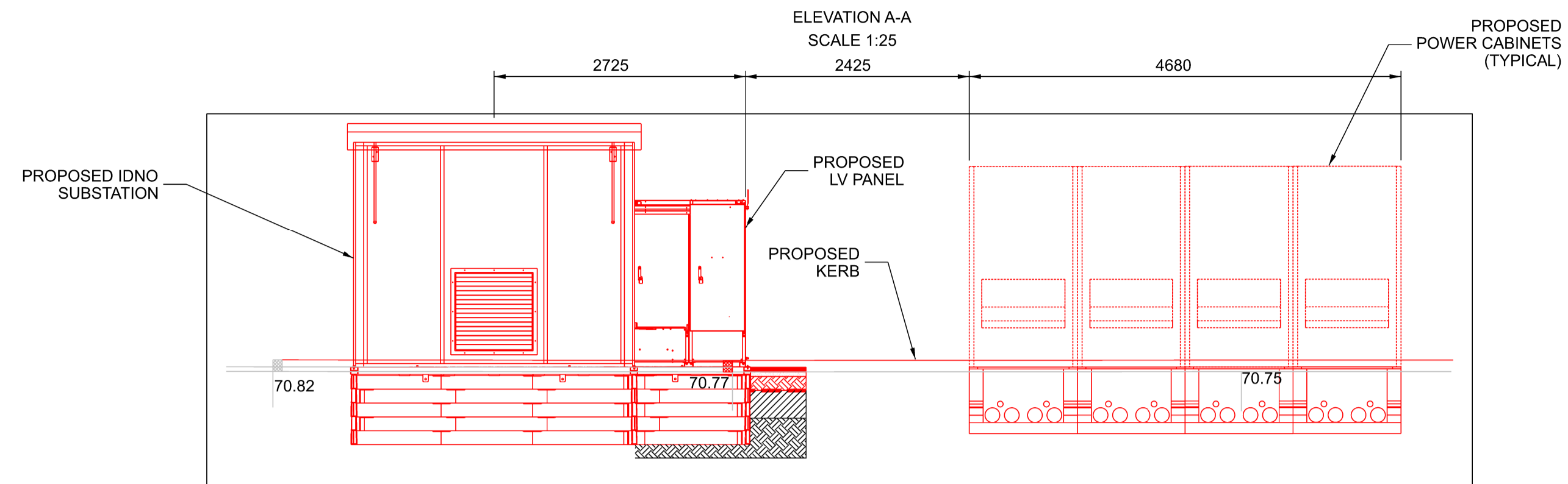




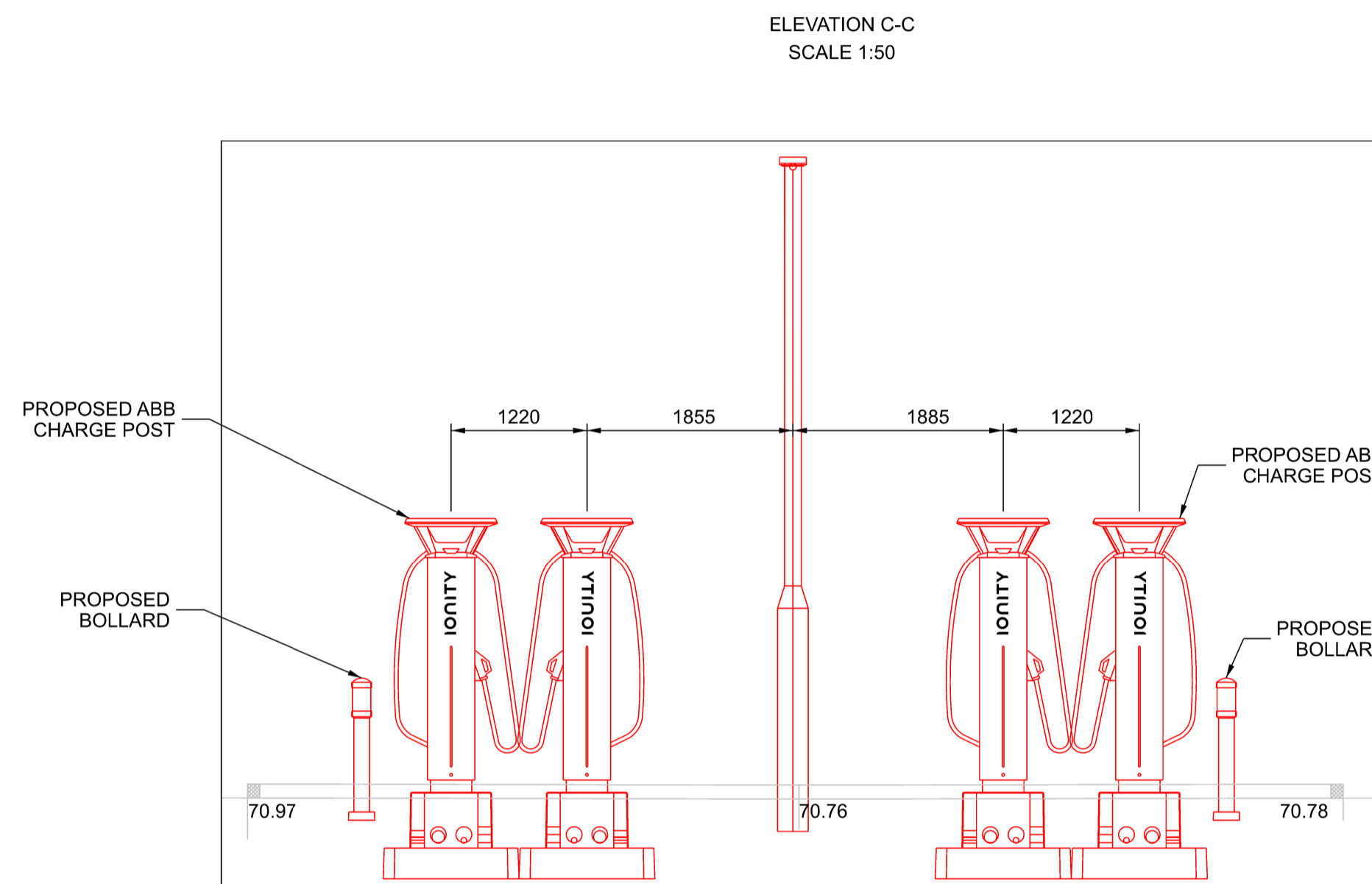
CHARGING BAYS LAYOUT  
SCALE 1:200



0 4 8 12 16 20m  
SCALE 1:200

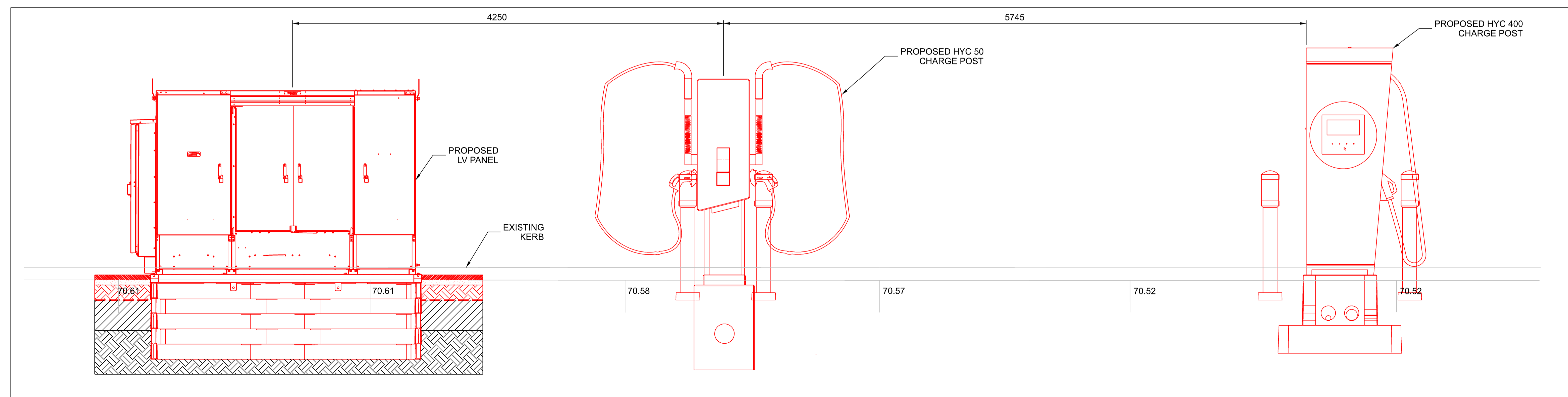


ELEVATION A-A  
SCALE 1:25



ELEVATION C-C  
SCALE 1:50

ELEVATION B-B  
SCALE 1:25



0 0.5 1.0 1.5 2.0 2.5m 0 1 2 3 4 5m  
SCALE 1:25 SCALE 1:50

NOTES:  
1. ALL DIMENSIONS ARE IN MILLIMETRES (mm) AND LEVEL ARE IN METERS (m) UNLESS STATED OTHERWISE.

COLOUR CONVENTIONS  
BLACK - EXISTING OR UNCHANGED  
BLUE - MODIFIED OR TO BE MOVED  
GREEN - REDUNDANT OR TO BE REMOVED  
RED - PROPOSED OR ADDITIONAL  
PURPLE - WORKS FOR FUTURE

P01	05/02/24	ISSUED FOR REVIEW	HP	Chk	App
Rev	Date	Description of Revisions	Drawn	Chkd	Appr
Suitability					

S0 - WORK IN PROGRESS



Poise Group Ltd  
124 City Road  
London  
EC1V 2NX

Contractor(s)



Ionity GmbH  
Moosacher Strasse 84,  
D-80809 Munich  
Germany

Project

IONITY  
VILLAGE HOTEL  
NEWCASTLE

Drawing Title

PROPOSED ELEVATION

Designed	HARSHAD	Signed		Date	05/02/24
Drawn	HARSAHD	Signed		Date	05/02/24
Checked	Checked	Signed		Date	Date3
Approved	Approved	Signed		Date	Date4
Scale(s)	R.T.D	ELR & Mileage		ELR&Mileage	
Alternative Reference	Alternative Reference			Sheet	01 of 01
Drawing Number	8320-POI-DRG-CIV-100015			Revision	P01