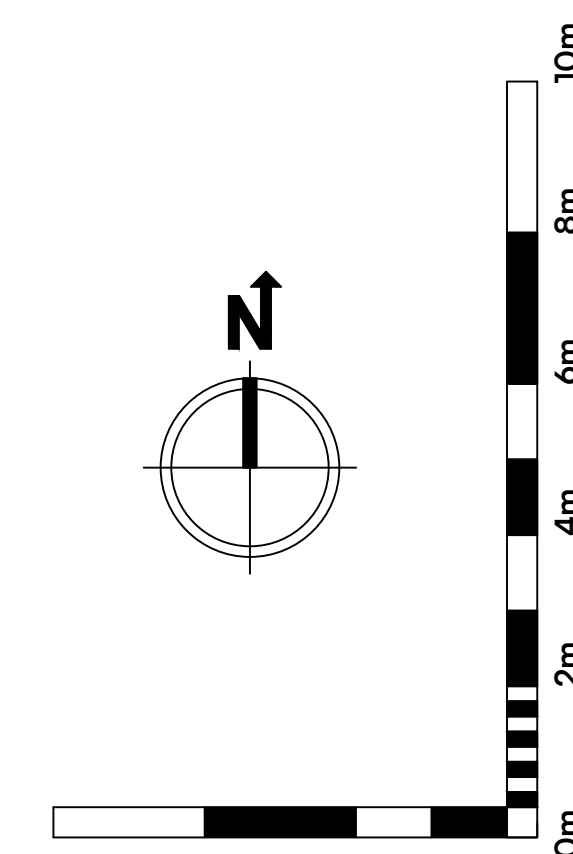
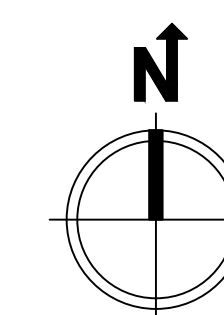
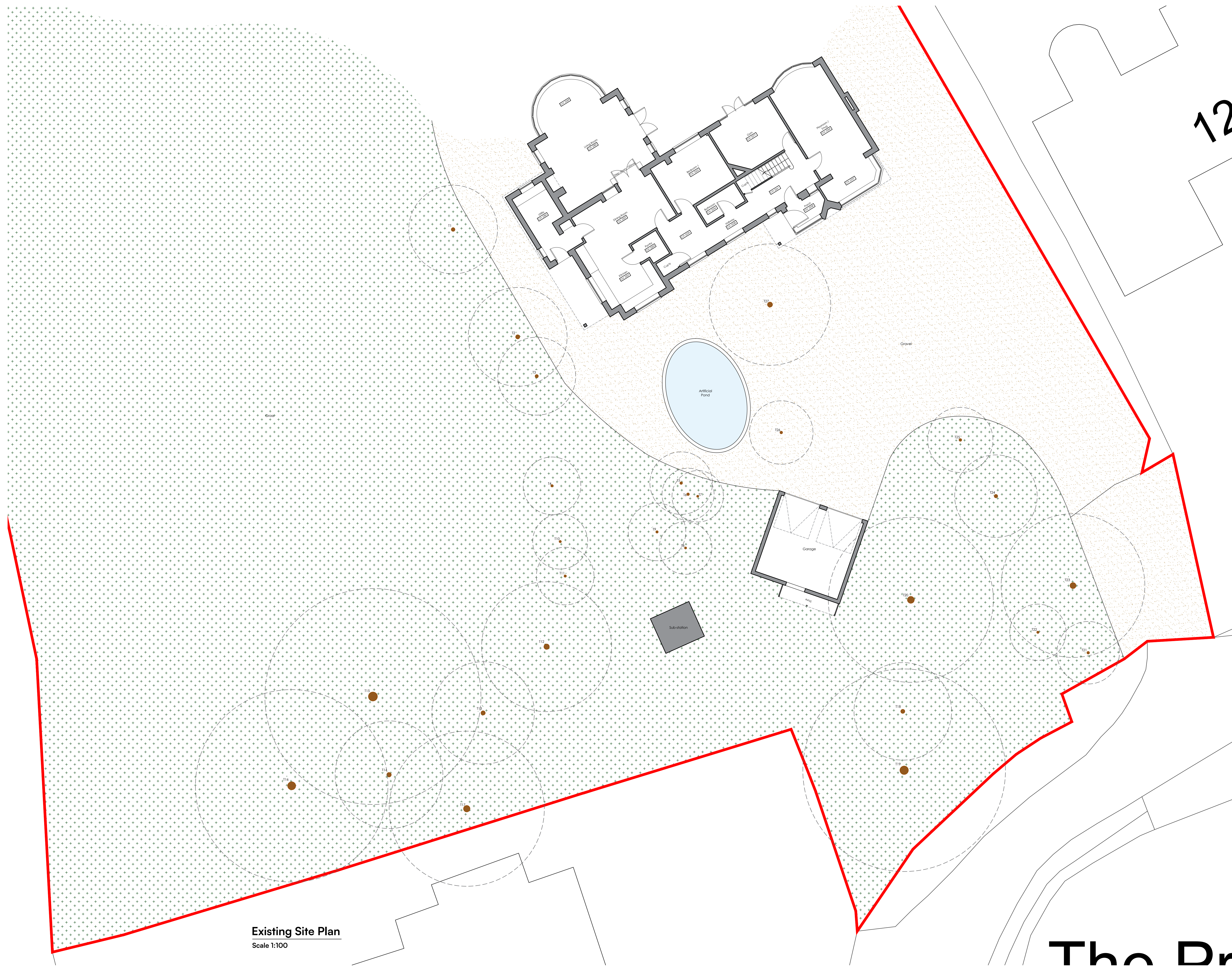


12



Visual Scale 1:100

Project Name:

10 Priory Road
Manton

Project Address:

10 Priory Road
Manton
Oakham, LE15 8ST

Client:

Mr & Mrs
Withers

Project:	Drg No:	Revision:
1756	04	-

Drawing Title:

Existing
Site Plan

Scale:	Paper size:
1:100	A1

Drawn: S.A.P Checked: -

Issue:

PLANNING

Existing Site Plan
Scale 1:100

The Dr

Drawing to be scaled for planning purposes only. All dimensions to be verified on site. All drawings are the copyright of RTK Stamford Ltd.