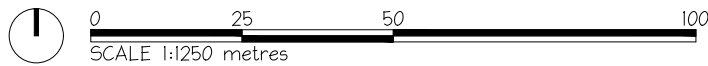


 Denotes Building Location



1. DO NOT SCALE OFF THIS DRAWING.
2. ALL DIMENSIONS ARE IN MILLIMETRES UNLESS OTHERWISE STATED.
3. THIS DRAWING TO BE READ IN CONJUNCTION WITH ALL OTHER RELEVANT ARCHITECTURAL, CIVIL/STRUCTURAL AND SERVICES ENGINEER'S DRAWINGS AND SPECIFICATIONS.
4. THIS DRAWING MUST NOT BE COPIED OR DISTRIBUTED WITHOUT PRIOR APPROVAL OF AUTHOR.

NOTES



REVISION

TITLE LOCATION PLAN

CLIENT WEST LoTHIAN COUNCIL

PROJECT WINDOW REPLACEMENT
123a HIGH STREET
LINLITHGOW

JOB NO.

23027

SCALE 1:1250 @A4 DRAWN NC

CHECKED WAC DATE 06.11.23

L(90)002 [1st]

559 SAUCHIEHALL STREET GLASGOW G3 7PQ
T: 0141 353 7488 F: 0141 353 7499
INFO@COLTART-EARLEY.COM
WWW.COLTART-EARLEY.COM

NOTES
 1. DO NOT SCALE OFF THIS DRAWING.
 2. ALL DIMENSIONS ARE IN MILLIMETRES UNLESS OTHERWISE STATED.
 3. THIS DRAWING TO BE READ IN CONJUNCTION WITH ALL OTHER RELEVANT ARCHITECTURAL, CIVIL/STRUCTURAL AND SERVICES ENGINEER'S DRAWINGS AND SPECIFICATIONS.
 4. THIS DRAWING MUST NOT BE COPIED OR DISTRIBUTED WITHOUT PRIOR APPROVAL OF AUTHOR.

WINDOW TAGS 1 AND 2 COMMENTS: TIMBER REPLICA SASH AND CASE WINDOWS TO MATCH THE ORIGINAL PROPORTIONS AND METHOD OF OPENING.

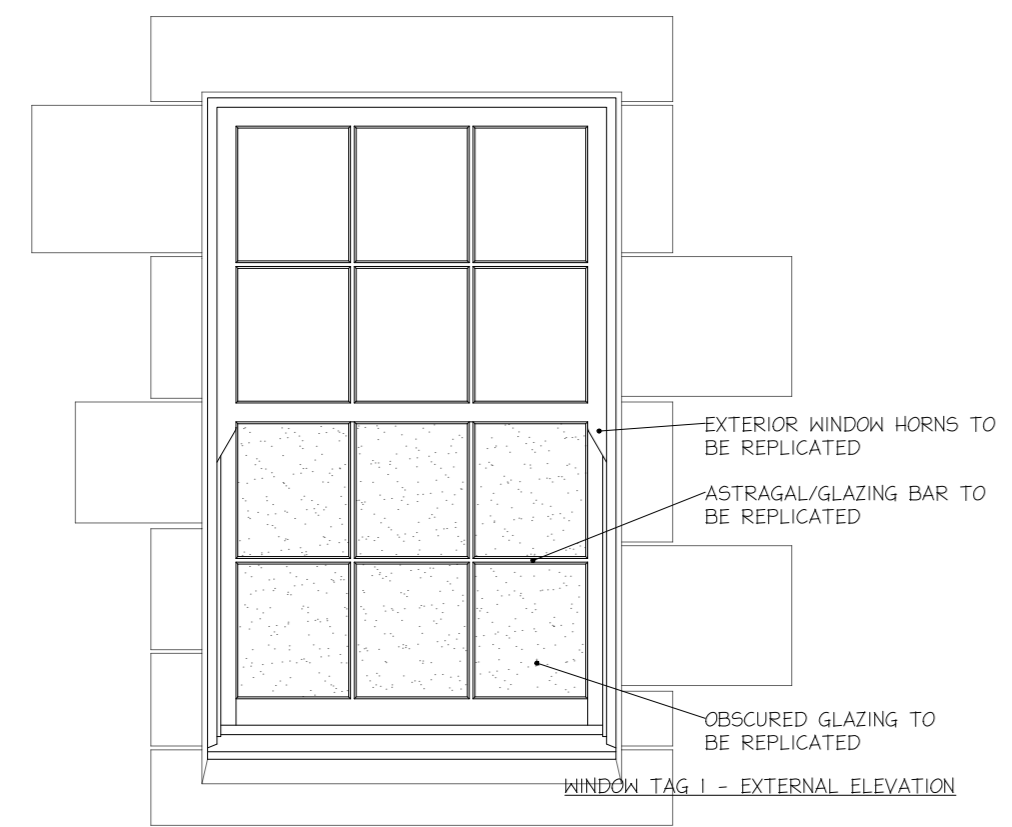
THE WOOD WILL BE PAINTED TO MATCH THE EXISTING WHITE WINDOWS, AND FEATURE HIGH THERMAL AND ACOUSTIC PERFORMANCE DOUBLE GLAZING.

ALL SECTIONS, ASTRAGALS, MULLIONS, TRANSOMS, FRAMES, JAMBS AND CASEMENTS TO MATCH EXISTING PROFILES. INTERNAL HORNS WILL BE REMOVED TO MATCH THE FIRST GENERATION WINDOWS AS HISTORICALLY THESE WOULD ONLY BE FOUND ON THE EXTERIOR.

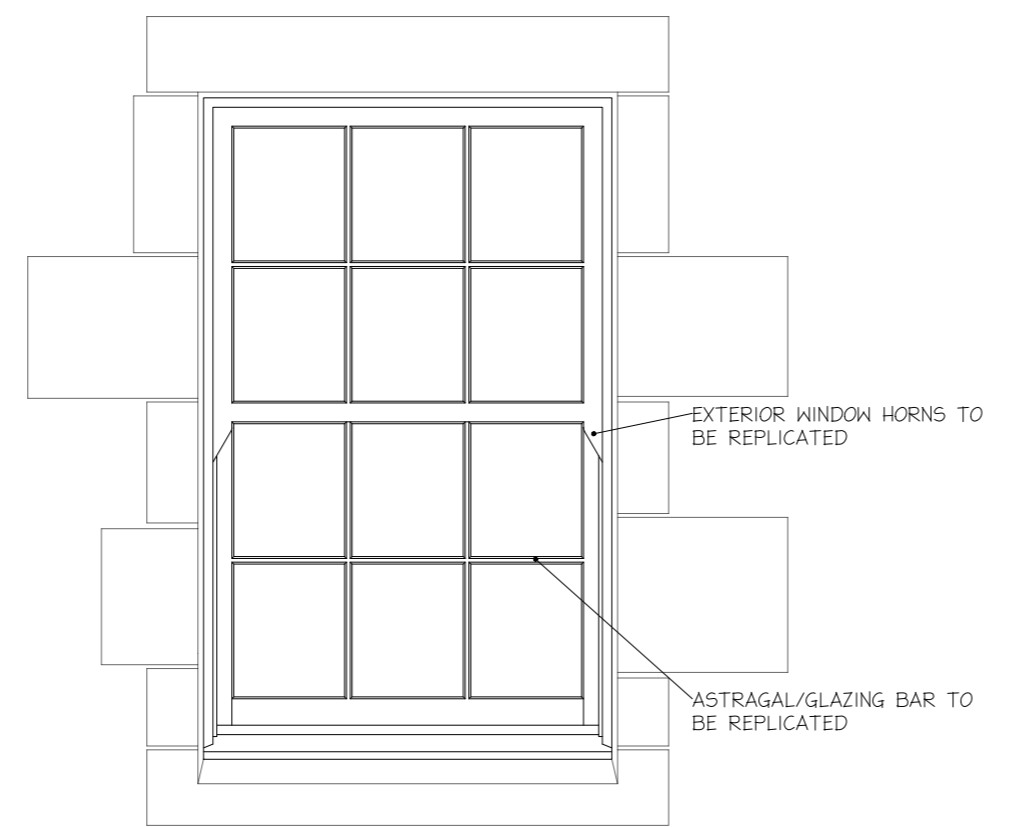
WINDOW TAG 3 and 4 COMMENTS: uPVC REPLICA WINDOWS TO MATCH THE EXISTING PROPORTIONS AND METHOD OF OPENING.

THE COLOR OF uPVC WILL MATCH THE EXISTING WHITE WINDOWS, AND FEATURE HIGH THERMAL AND ACOUSTIC PERFORMANCE DOUBLE GLAZING.

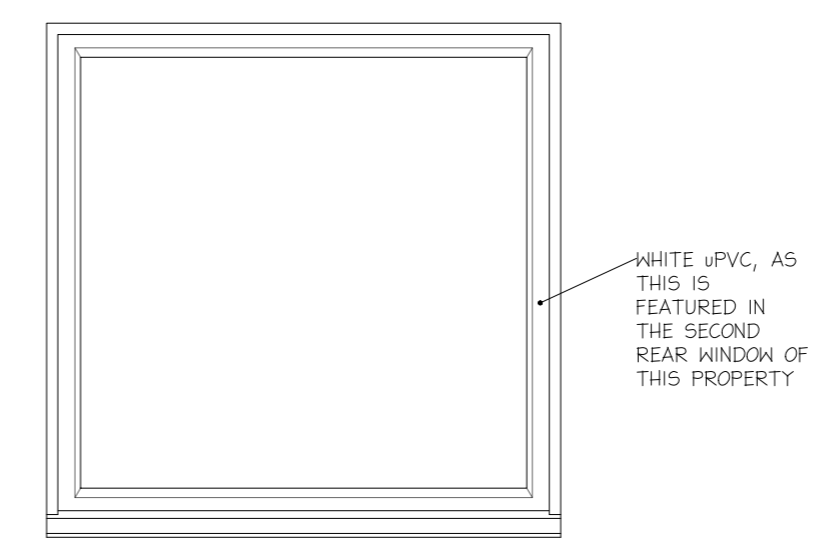
THE SECTION, TRANSOM, FRAME, JAMB, CASEMENT TO MATCH EXISTING PROFILE.



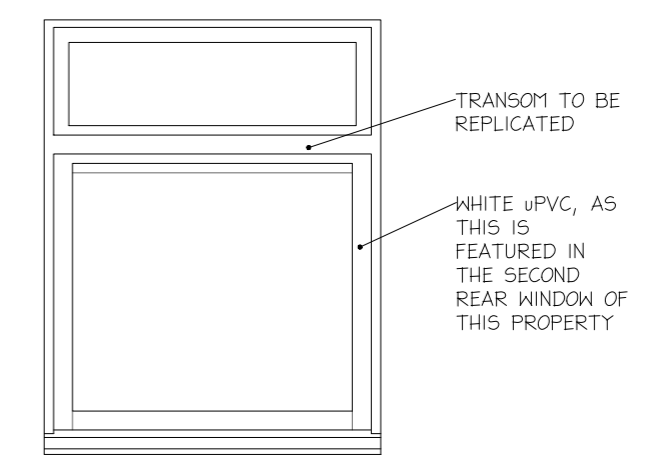
WINDOW TAG 1 - EXTERNAL ELEVATION



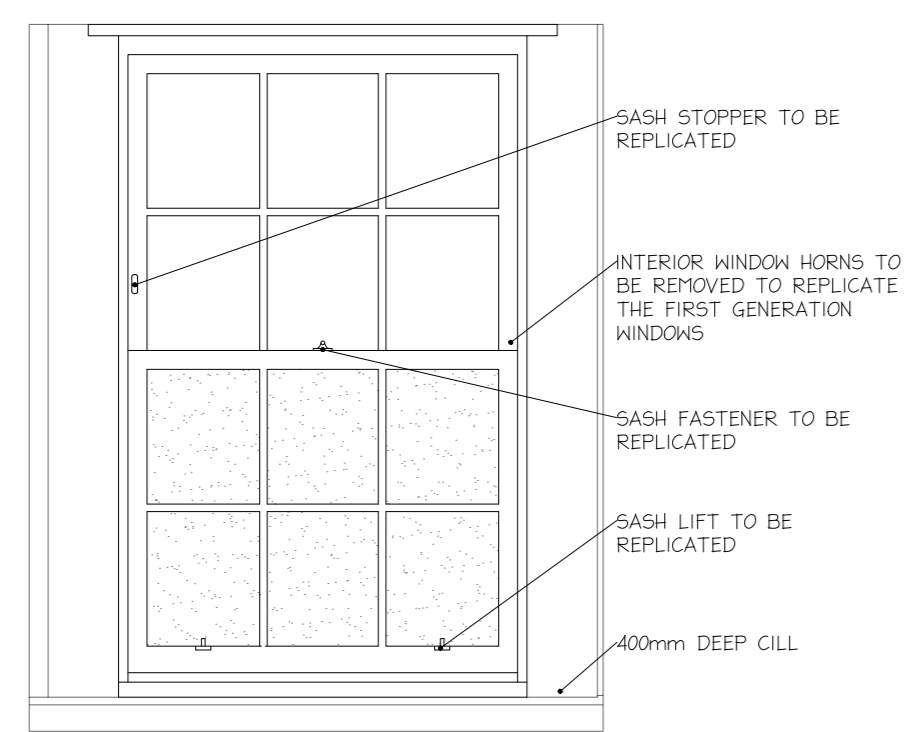
WINDOW TAG 2 - EXTERNAL ELEVATION



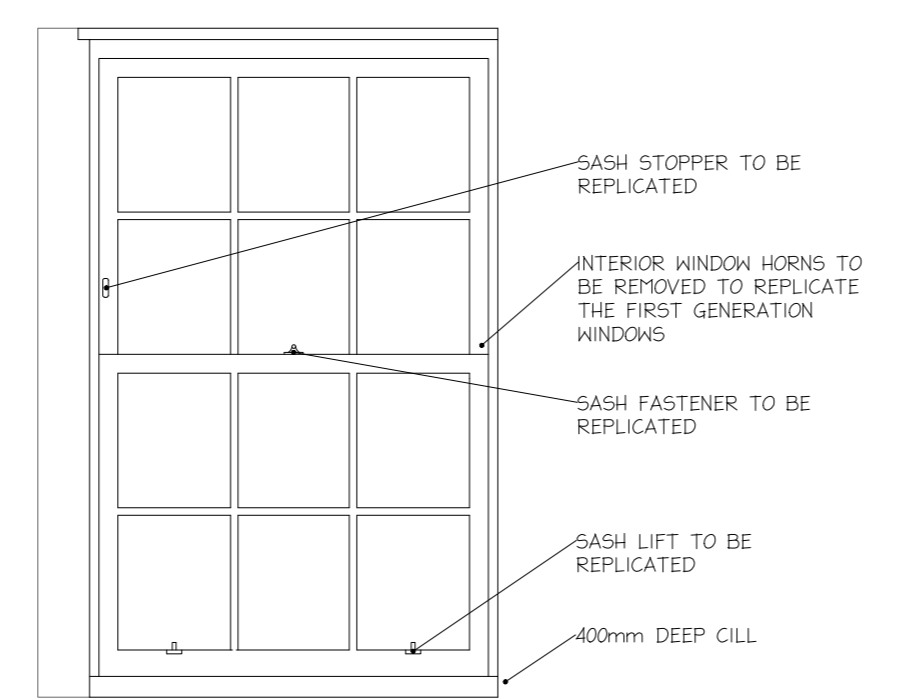
WINDOW TAG 3 - EXTERNAL ELEVATION



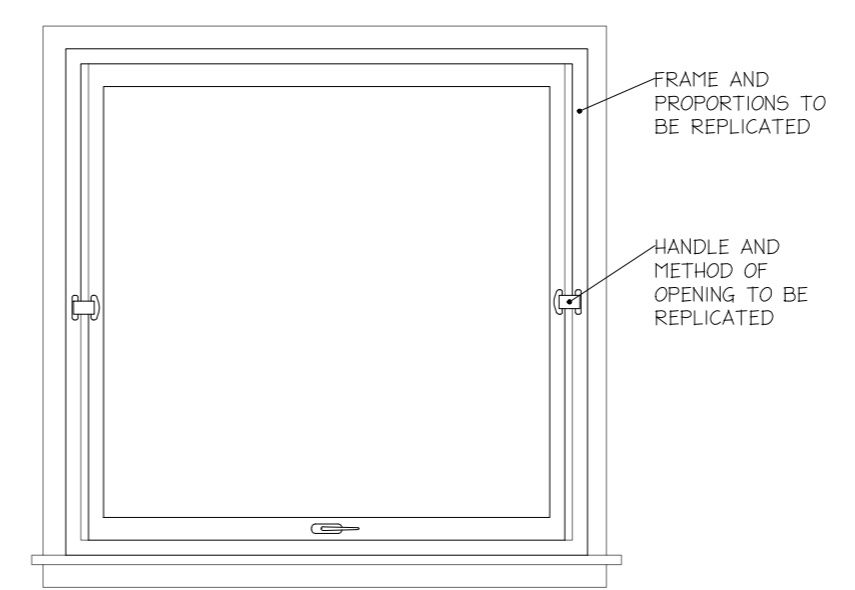
WINDOW TAG 4 - EXTERNAL ELEVATION



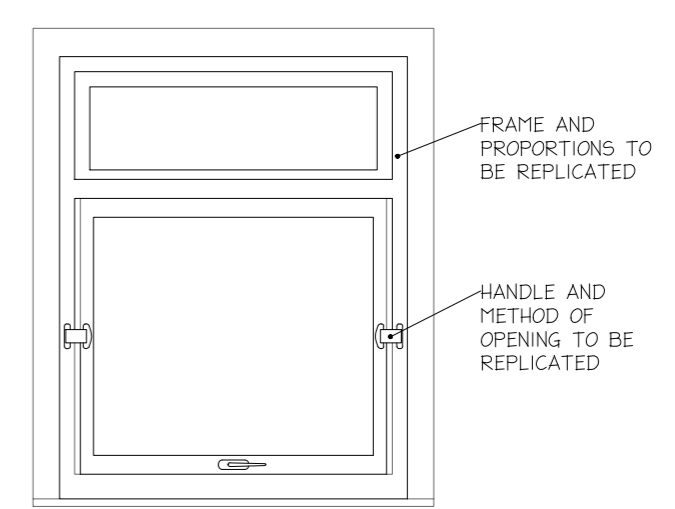
WINDOW TAG 1 - INTERNAL ELEVATION



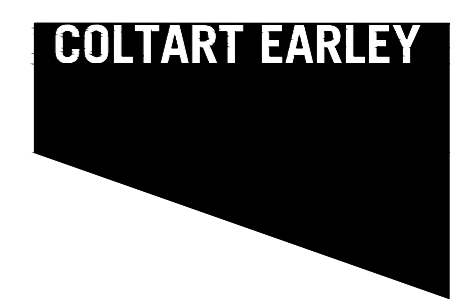
WINDOW TAG 2 - INTERNAL ELEVATION



WINDOW TAG 3 - INTERNAL ELEVATION



WINDOW TAG 4 - INTERNAL ELEVATION



| | | | | | | | | | |
|--|--|--|--|--|--|--|--|--|--|
| | | | | | | | | | |
|--|--|--|--|--|--|--|--|--|--|

A - ADDING WINDOW 3 AND 4 TO MIX - NC 14/02/23

TITLE PROPOSED WINDOW ELEVATIONS WINDOW TAGS 1-4

CLIENT WEST Lothian Council

PROJECT WINDOW REPLACEMENT 123a HIGH STREET LINLITHGOW

JOB NO. 23027

SCALE 1:20 @A2 DRAWN NC CHECKED WAC DATE 25/01/24

A(31)002 [1st]

559 SAUCHIEHALL STREET GLASGOW G3 7PQ T: 0141 353 7488 F: 0141 353 7499 INFO@COLTART-EARLEY.COM WWW.COLTART-EARLEY.COM

- NOTES
1. DO NOT SCALE OFF THIS DRAWING.
 2. ALL DIMENSIONS ARE IN MILLIMETRES UNLESS OTHERWISE STATED.
 3. THIS DRAWING TO BE READ IN CONJUNCTION WITH ALL OTHER RELEVANT ARCHITECTURAL, CIVIL/STRUCTURAL AND SERVICES ENGINEER'S DRAWINGS AND SPECIFICATIONS.
 4. THIS DRAWING MUST NOT BE COPIED OR DISTRIBUTED WITHOUT PRIOR APPROVAL OF AUTHOR.

WINDOW TAGS 1 AND 2 COMMENTS: TIMBER REPLICA SASH AND CASE WINDOWS TO MATCH THE ORIGINAL PROPORTIONS AND METHOD OF OPENING.

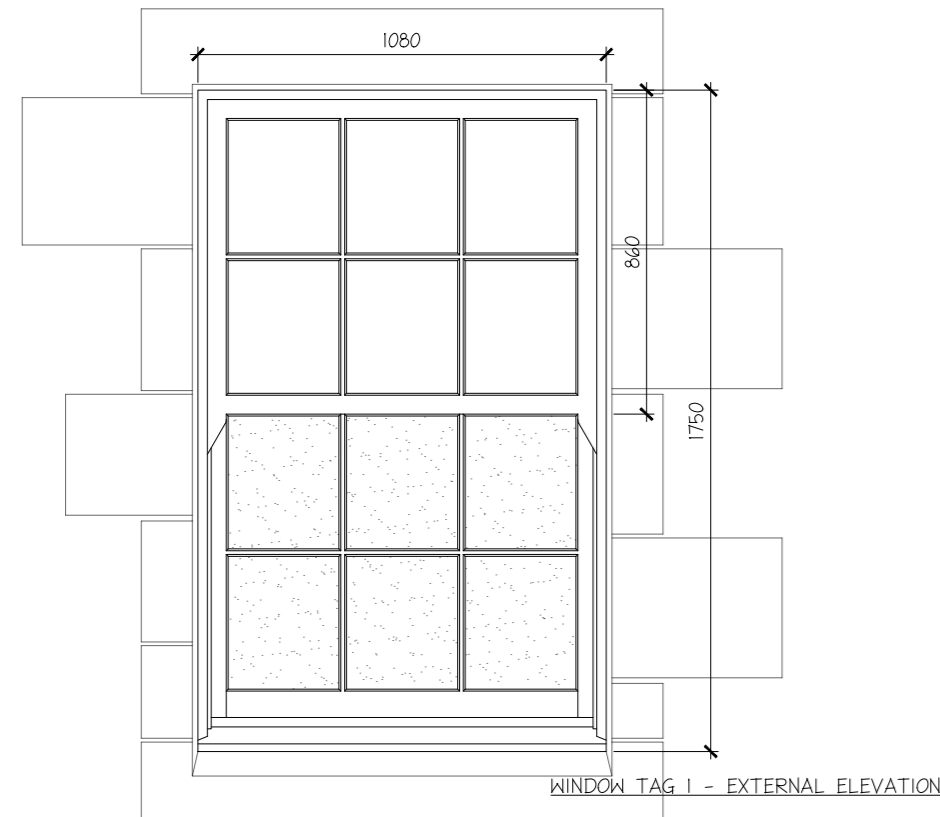
THE WOOD WILL BE PAINTED TO MATCH THE EXISTING WHITE WINDOWS, AND FEATURE HIGH THERMAL AND ACOUSTIC PERFORMANCE DOUBLE GLAZING.

ALL SECTIONS, ASTRAGALS, MULLIONS, TRANSOMS, FRAMES, JAMBS AND CASEMENTS TO MATCH EXISTING PROFILES. INTERNAL HORNS WILL BE REMOVED TO MATCH THE FIRST GENERATION WINDOWS AS HISTORICALLY THESE WOULD ONLY BE FOUND ON THE EXTERIOR.

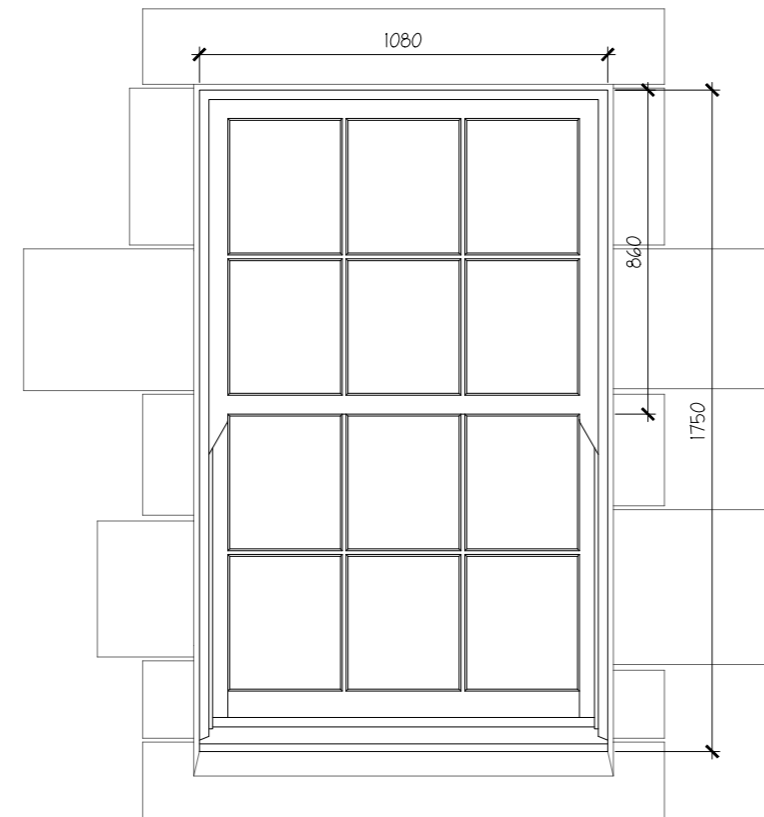
WINDOW TAG 3 and 4 COMMENTS: uPVC REPLICA WINDOWS TO MATCH THE EXISTING PROPORTIONS AND METHOD OF OPENING.

THE COLOR OF uPVC WILL MATCH THE EXISTING WHITE WINDOWS, AND FEATURE HIGH THERMAL AND ACOUSTIC PERFORMANCE DOUBLE GLAZING.

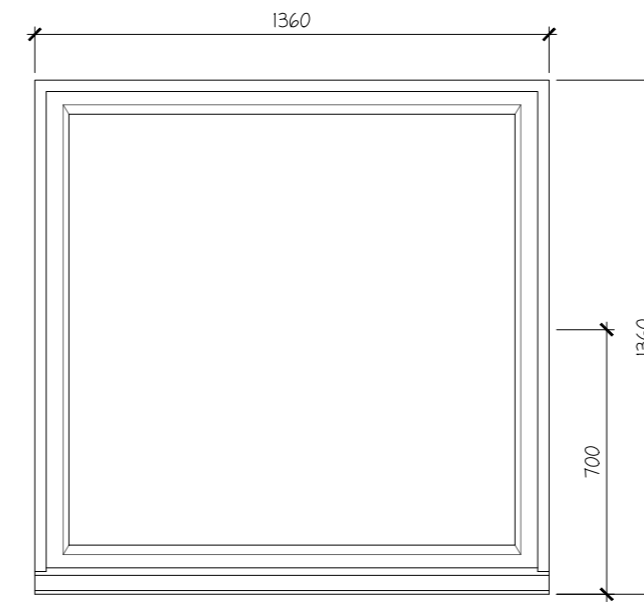
THE SECTION, TRANSOM, FRAME, JAMB, CASEMENT TO MATCH EXISTING PROFILE.



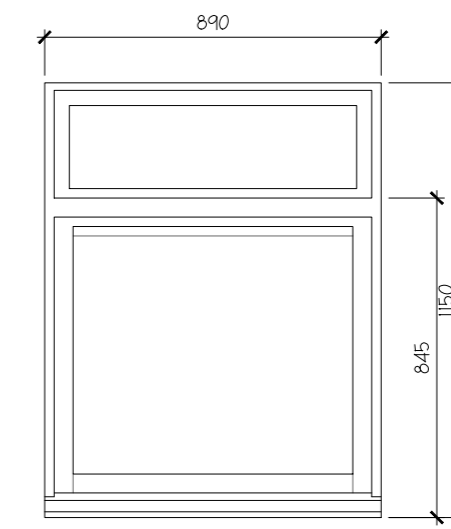
WINDOW TAG 1 - EXTERNAL ELEVATION



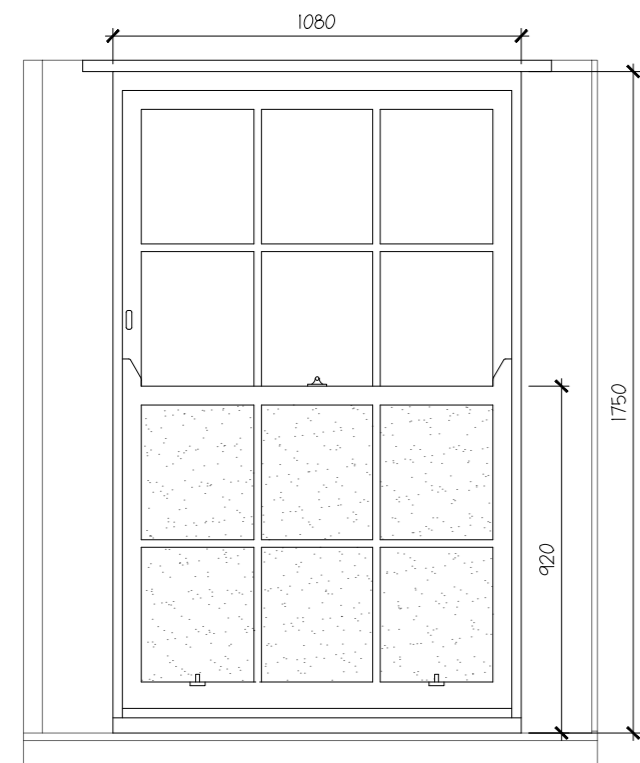
WINDOW TAG 2 - EXTERNAL ELEVATION



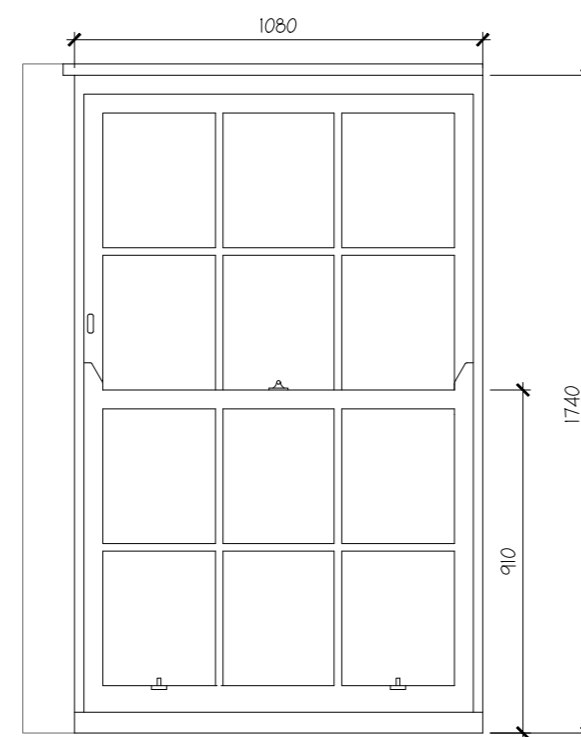
WINDOW TAG 3 - EXTERNAL ELEVATION



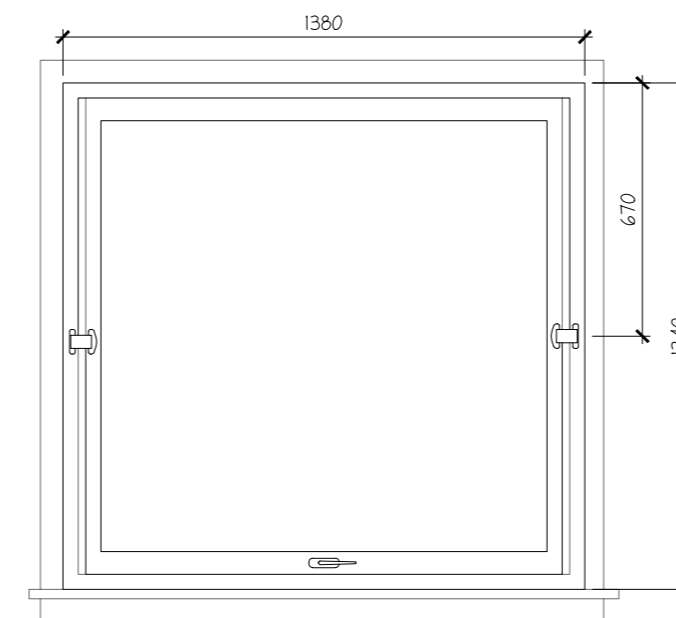
WINDOW TAG 4 - EXTERNAL ELEVATION



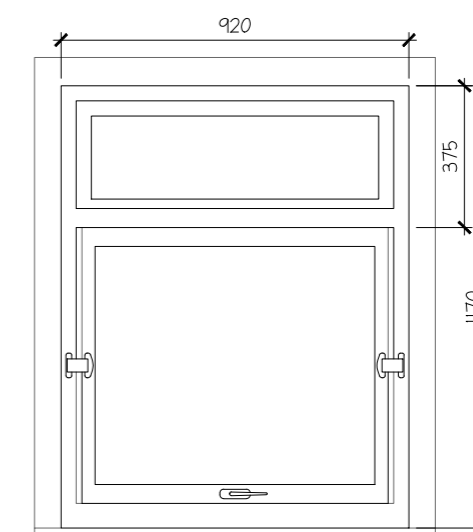
WINDOW TAG 1 - INTERNAL ELEVATION



WINDOW TAG 2 - INTERNAL ELEVATION



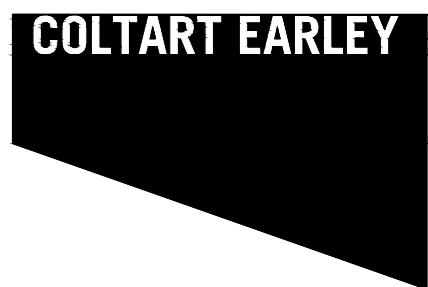
WINDOW TAG 3 - INTERNAL ELEVATION



WINDOW TAG 4 - INTERNAL ELEVATION

THE INTERNAL DIMENSIONS WERE NOT ABLE TO BE TAKEN FOR THIS PROPERTY. HOWEVER, THE EXTERNAL DIMENSIONS WERE TAKEN.

THE INTERNAL ELEVATION HAS BEEN DRAWN BASED ON 123 HIGH STREETS WINDOWS.



A - ADDING WINDOW 3 AND 4 TO MIX
- NC 14/02/23

TITLE EXISTING WINDOW ELEVATIONS
WINDOW TAGS 1-4

CLIENT WEST LOTHIAN COUNCIL

PROJECT WINDOW REPLACEMENT
123a HIGH STREET
LINLITHGOW

JOB NO. 23027

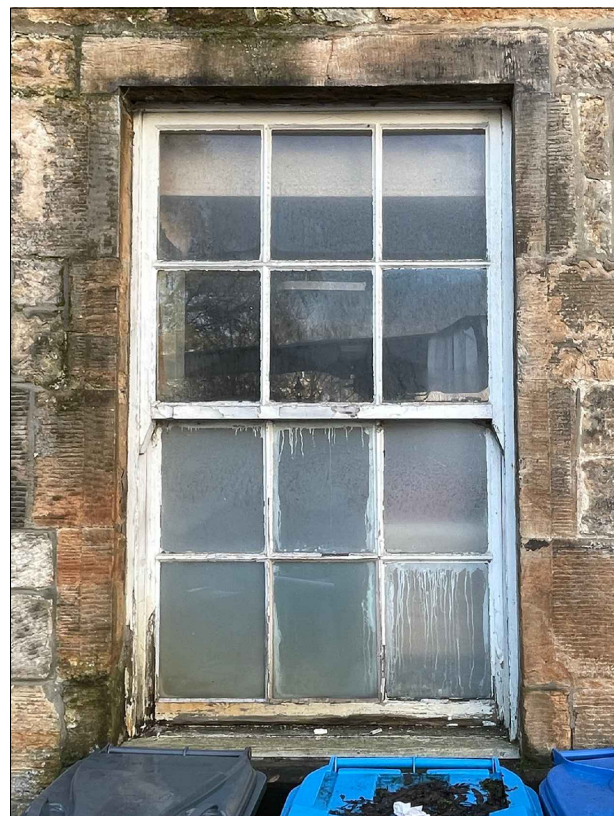
SCALE 1:20 @A2 DRAWN NC
CHECKED WAC DATE 25/01/24

L(21)002 [1st]

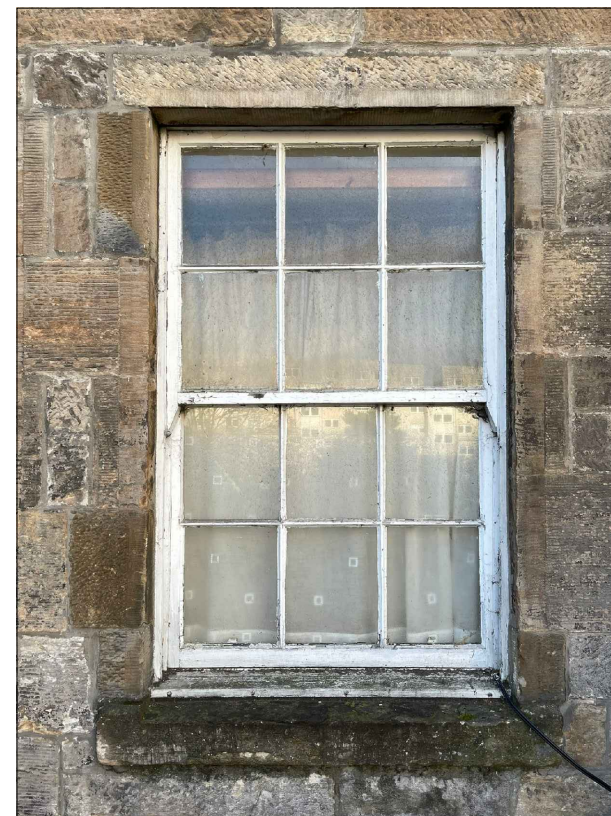
559 SAUCHIEHALL STREET GLASGOW G3 7PQ
T: 0141 353 7488 F: 0141 353 7499
INFO@COLTART-EARLEY.COM
WWW.COLTART-EARLEY.COM



FRONT ELEVATION



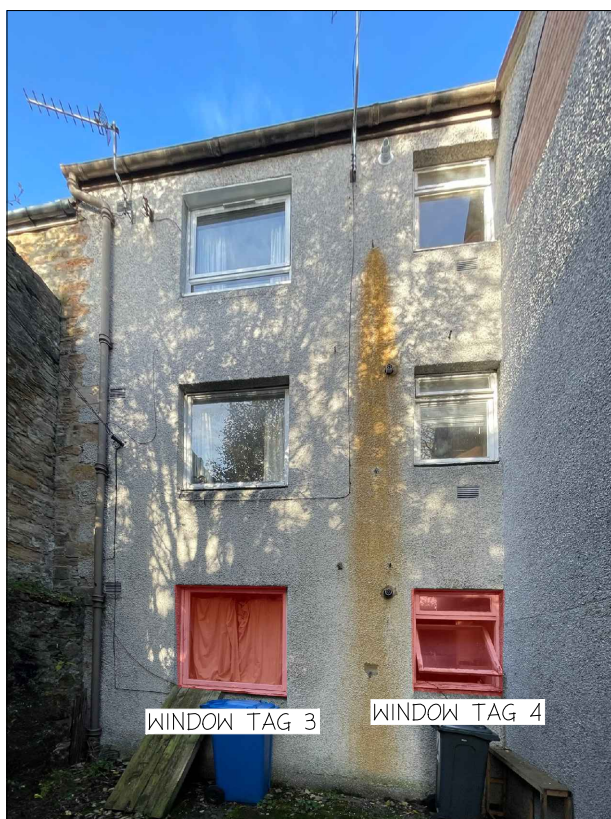
WINDOW TAG 1 - EXTERNAL VIEW



WINDOW TAG 2 - EXTERNAL VIEW

1. DO NOT SCALE OFF THIS DRAWING.
2. ALL DIMENSIONS ARE IN MILLIMETRES UNLESS OTHERWISE STATED.
3. THIS DRAWING TO BE READ IN CONJUNCTION WITH ALL OTHER RELEVANT ARCHITECTURAL, CIVIL/STRUCTURAL AND SERVICES ENGINEER'S DRAWINGS AND SPECIFICATIONS.
4. THIS DRAWING MUST NOT BE COPIED OR DISTRIBUTED WITHOUT PRIOR APPROVAL OF AUTHOR.

NOTES



REAR ELEVATION



WINDOW TAG 3 - EXTERNAL VIEW



WINDOW TAG 4 - EXTERNAL VIEW



A- ADDING WINDOW 3 AND 4 TO MIX [A]
 - NC 14/02/23 REVISION

TITLE EXISTING WINDOW ARRANGEMENT

CLIENT WEST Lothian Council

PROJECT WINDOW REPLACEMENT
 123a HIGH STREET
 LINLITHGOW

JOB NO. **23027**

SCALE NTS @A3 DRAWN NC
 CHECKED WAC DATE 18/07/23

L(31)002[A]