



Scale	ALL@A3	Drawing No.	
Date	11/1/24	Rev/Issue	0
Dimension	mm	Drawn by	MT

Project Name:  
**J5847 - Yew Tree Cottage**



Timbawood Ltd.  
 Unit 9, Mount Road Ind. Est. Feltham, TW13 6AR  
 Tel: 0800 043 2499 Fax: 0208 867 2767  
 email: mail@timbawood.co.uk web: www.timbawood.co.uk

Copyright - Timbawood Ltd. All designs and drawings are the intellectual property of Timbawood Ltd and must not be used or copied without the permission of Timbawood Ltd



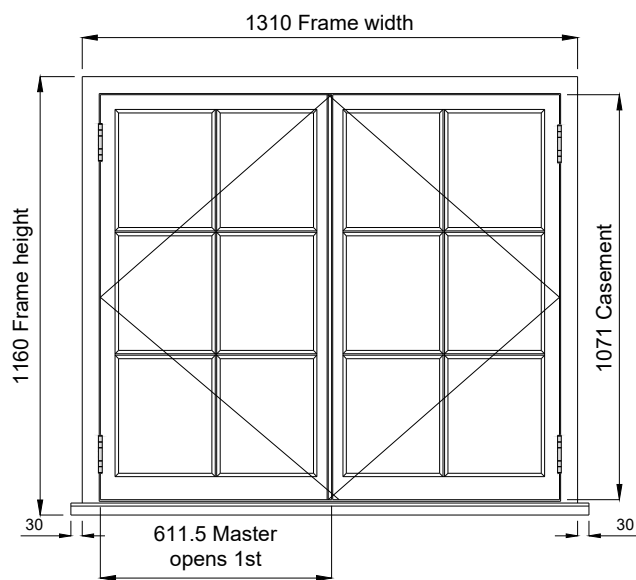
Scale	ALL@A3	Drawing No.	
Date	11/1/24	Rev/Issue	0
Dimension	mm	Drawn by	MT

Project Name:  
**J5847 - Yew Tree Cottage**

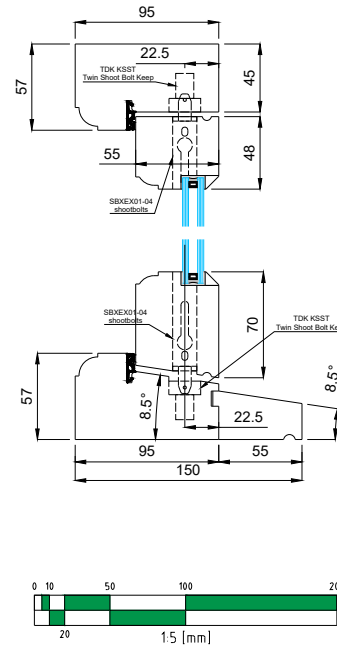
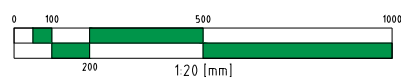


Timbawood Ltd.  
 Unit 9, Mount Road Ind. Est. Feltham, TW13 6AR  
 Tel: 0800 043 2499 Fax: 0208 867 2767  
 email: mail@timbawood.co.uk web: www.timbawood.co.uk

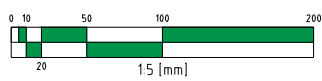
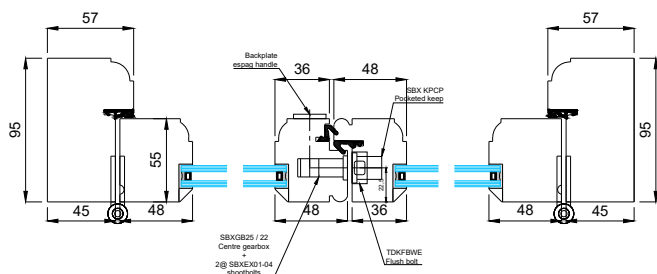
Copyright - Timbawood Ltd. All designs and drawings are the intellectual property of Timbawood Ltd and must not be used or copied without the permission of Timbawood Ltd



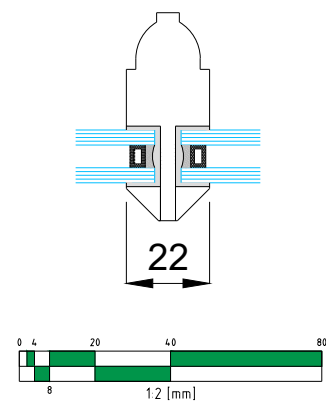
**W.01/W.02/W.04/W.14/W.15**  
Viewed from outside  
Open outwards



Vertical section



Horizontal section



True glazing bar

Note:

1. Window to be glazed with clear Timbalite 4float/6/4float glass, low-E, krypton filled double glazed units with **white** spacer bars;
2. All timber to be Redwood Frame /Accoya casement/Sapele Hardwood cill;
3. Window to be fully weather stripped with soft compression seals;
4. Window to come equipped with Kenrick multipoint lock;
5. Each window hung on 2no 3" ball bearing hinges;
6. Colour to be:
  - 6.1. Frame and casement internally/externally - to match RAL 9016 Traffic White, 30% sheen;



www.reddiseals.com  
Monkeytail Window Stay 12"  
SKU: CMK105BL  
Antique Black finish



www.reddiseals.com  
Monkey Tail Espag Window Handle  
SKU: CMK610RBL  
Antique Black finish



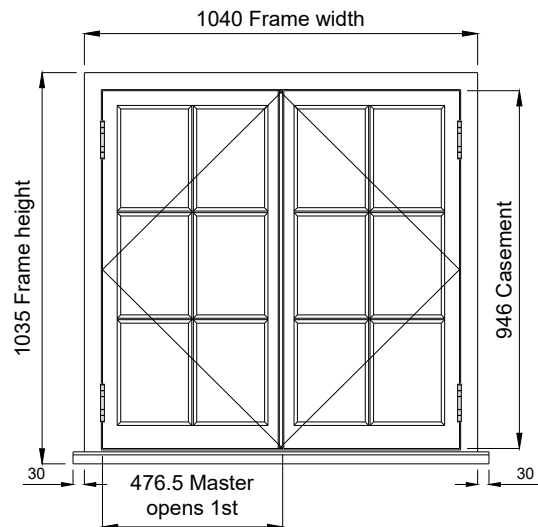
www.coastal-group.com  
HY3R BLU 316 Stainless Steel Butt  
Hinge - Radius Corner  
SKU: HY3R-MSB  
Black finish

Scale	ALL@A3	Drawing No.	5847_1
Date	11/1/24	Rev/Issue	0
Dimension	mm	Drawn by	MT

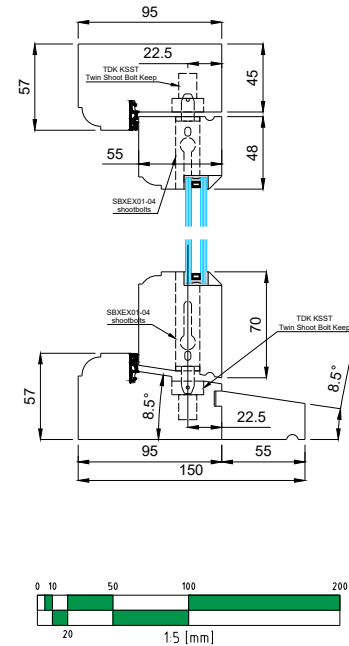
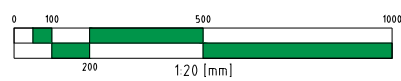
Project Name:  
J5847 - Yew Tree Cottage  
Proposed sections & details to  
**W.01/W.02/W.04/W.14/W.15**



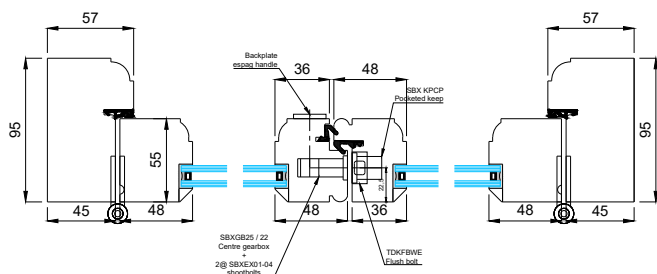
Timbawood Ltd.  
Unit 9, Mount Road Ind. Est. Feltham, TW13 6AR  
Tel: 0800 043 2499 Fax: 0208 867 2767  
email: mail@timbawood.co.uk web: www.timbawood.co.uk



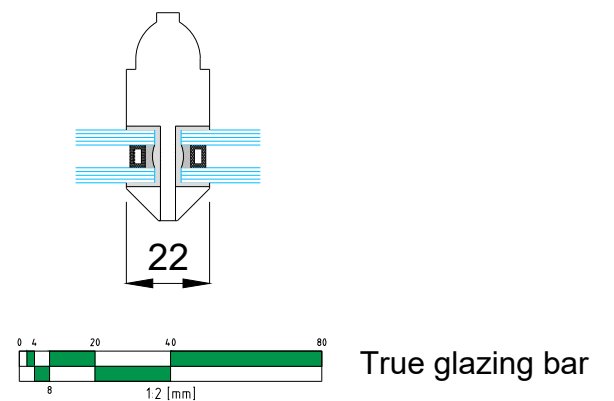
**W.05**  
Viewed from outside  
Open outwards



Vertical section



Horizontal section



True glazing bar

Note:

1. Window to be glazed with clear Timbalite 4float/6/4float glass, low-E, krypton filled double glazed units with **white** spacer bars;
2. All timber to be Redwood Frame /Accoya casement/Sapele Hardwood cill;
3. Window to be fully weather stripped with soft compression seals;
4. Window to come equipped with Kenrick multipoint lock;
5. Each window hung on 2no 3" ball bearing hinges;
6. Colour to be:
  - 6.1. Frame and casement internally/externally - to match RAL 9016 Traffic White, 30% sheen;



www.reddiseals.com  
Monkeytail Window Stay 12"  
SKU: CMK105BL  
Antique Black finish



www.reddiseals.com  
Monkey Tail Espag Window Handle  
SKU: CMK610RBL  
Antique Black finish



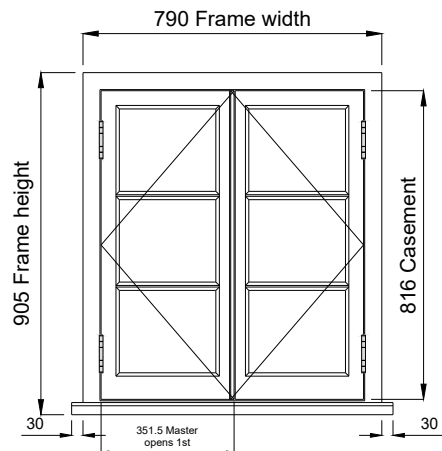
www.coastal-group.com  
HY3R BLU 316 Stainless Steel Butt  
Hinge - Radius Corner  
SKU: HY3R-MSB  
Black finish

Scale	ALL@A3	Drawing No.	5847_2
Date	11/1/24	Rev/Issue	0
Dimension	mm	Drawn by	MT

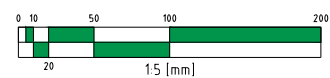
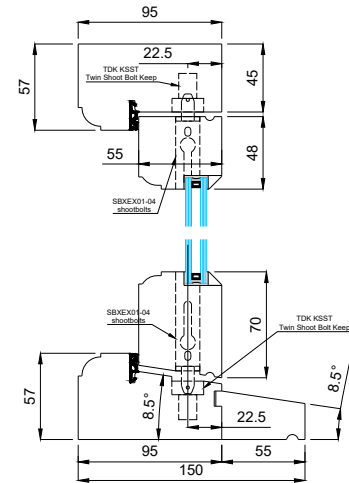
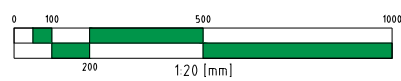
Project Name:  
J5847 - Yew Tree Cottage  
Proposed sections & details to  
**W.05**



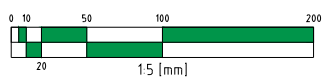
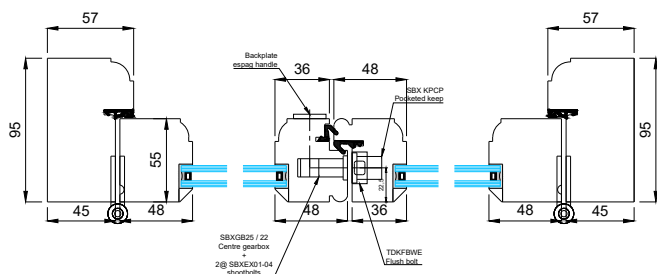
Timbawood Ltd.  
Unit 9, Mount Road Ind. Est. Feltham, TW13 6AR  
Tel: 0800 043 2499 Fax: 0208 867 2767  
email: mail@timbawood.co.uk web: www.timbawood.co.uk



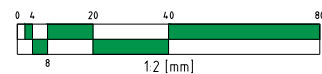
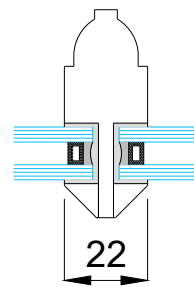
**W.06/W.07**  
Viewed from outside  
Open outwards



Vertical section



Horizontal section



True glazing bar

Note:

1. Window to be glazed with clear Timbalite 4float/6/4float glass, low-E, krypton filled double glazed units with **white** spacer bars;
2. All timber to be Redwood Frame /Accoya casement/Sapele Hardwood cill;
3. Window to be fully weather stripped with soft compression seals;
4. Window to come equipped with Kenrick multipoint lock;
5. Each window hung on 2no 3" ball bearing hinges;
6. Colour to be:
  - 6.1. Frame and casement internally/externally - to match RAL 9016 Traffic White, 30% sheen;



www.reddiseals.com  
Monkeytail Window Stay 12"  
SKU: CMK105BL  
Antique Black finish



www.reddiseals.com  
Monkey Tail Espag Window Handle  
SKU: CMK610RBL  
Antique Black finish



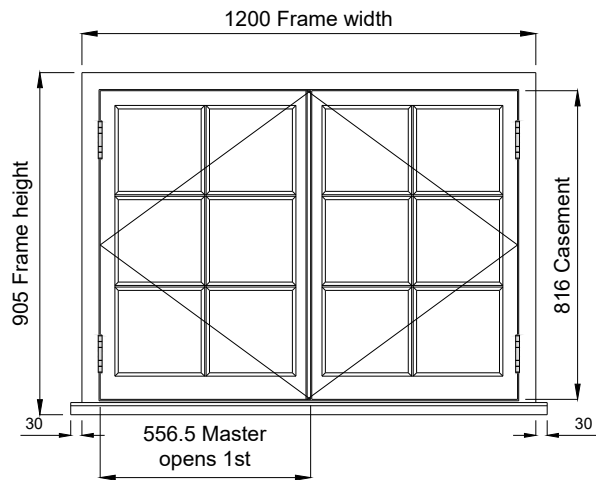
www.coastal-group.com  
HY3R BLU 316 Stainless Steel Butt  
Hinge - Radius Corner  
SKU: HY3R-MSB  
Black finish

Scale	ALL@A3	Drawing No.	5847_3
Date	11/1/24	Rev/Issue	0
Dimension	mm	Drawn by	MT

Project Name:  
J5847 - Yew Tree Cottage  
Proposed sections & details to  
**W.06/W.07**

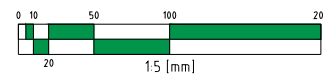
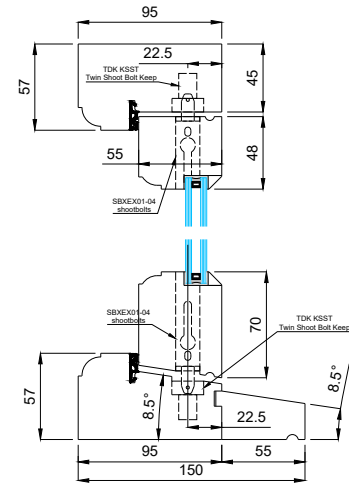
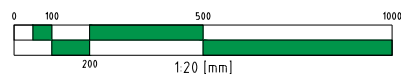


Timbawood Ltd.  
Unit 9, Mount Road Ind. Est. Feltham, TW13 6AR  
Tel: 0800 043 2499 Fax: 0208 867 2767  
email: mail@timbawood.co.uk web: www.timbawood.co.uk

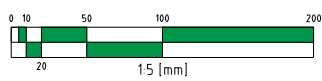
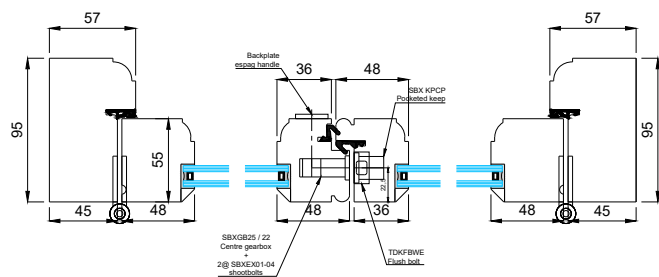


**W.08**

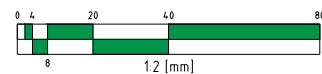
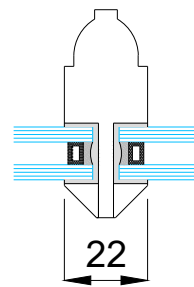
Viewed from outside  
Open outwards



Vertical section



Horizontal section



True glazing bar

Note:

1. Window to be glazed with clear Timbalite 4float/6/4float glass, low-E, krypton filled double glazed units with **white** spacer bars;
2. All timber to be Redwood Frame /Accoya casement/Sapele Hardwood cill;
3. Window to be fully weather stripped with soft compression seals;
4. Window to come equipped with Kenrick multipoint lock;
5. Each window hung on 2no 3" ball bearing hinges;
6. Colour to be:
  - 6.1. Frame and casement internally/externally - to match RAL 9016 Traffic White, 30% sheen;



www.reddiseals.com  
Monkeytail Window Stay 12"  
SKU: CMK105BL  
Antique Black finish



www.reddiseals.com  
Monkey Tail Espag Window Handle  
SKU: CMK610RBL  
Antique Black finish



www.coastal-group.com  
HY3R BLU 316 Stainless Steel Butt  
Hinge - Radius Corner  
SKU: HY3R-MSB  
Black finish

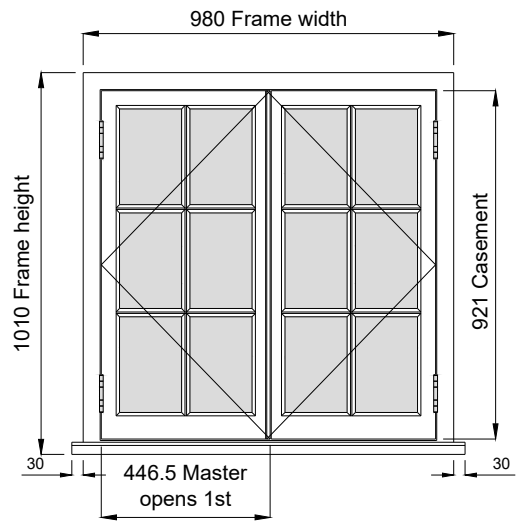
Scale	ALL@A3	Drawing No.	5847_4
Date	11/1/24	Rev/Issue	0
Dimension	mm	Drawn by	MT

Project Name:  
J5847 - Yew Tree Cottage  
Proposed sections & details to  
**W.08**

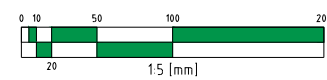
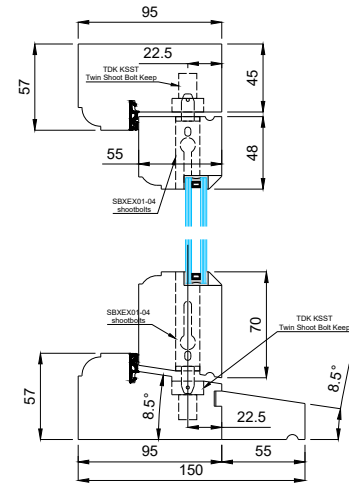
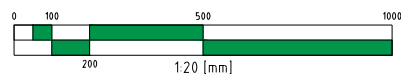


Timbawood Ltd.  
Unit 9, Mount Road Ind. Est. Feltham, TW13 6AR  
Tel: 0800 043 2499 Fax: 0208 867 2767  
email: mail@timbawood.co.uk web: www.timbawood.co.uk

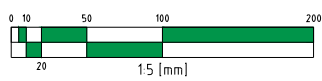
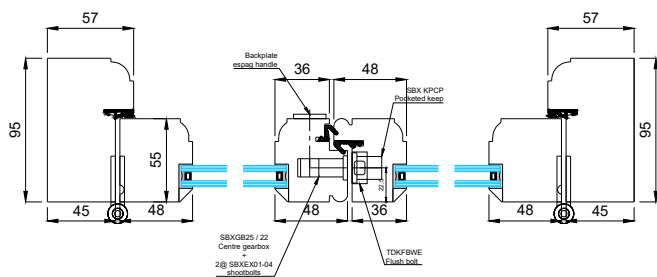
Copyright - Timbawood Ltd. All designs and drawings are the intellectual property of Timbawood Ltd and must not be used or copied without the permission of Timbawood Ltd



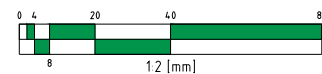
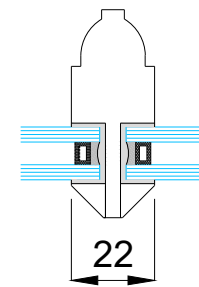
**W.08A**  
Viewed from outside  
Open outwards



Vertical section



Horizontal section



True glazing bar

Note:

1. Window to be glazed with **obscured** Timbalite 4stippolyte/6/4stippolyte glass, low-E, krypton filled double glazed units with **white** spacer bars;
2. All timber to be Redwood Frame /Accoya casement/Sapele Hardwood cill;
3. Window to be fully weather stripped with soft compression seals;
4. Window to come equipped with Kenrick multipoint lock;
5. Each window hung on 2no 3" ball bearing hinges;
6. Colour to be:
  - 6.1. Frame and casement internally/externally - to match RAL 9016 Traffic White, 30% sheen;



www.reddiseals.com  
Monkeytail Window Stay 12"  
SKU: CMK105BL  
Antique Black finish



www.reddiseals.com  
Monkey Tail Espag Window Handle  
SKU: CMK610RBL  
Antique Black finish



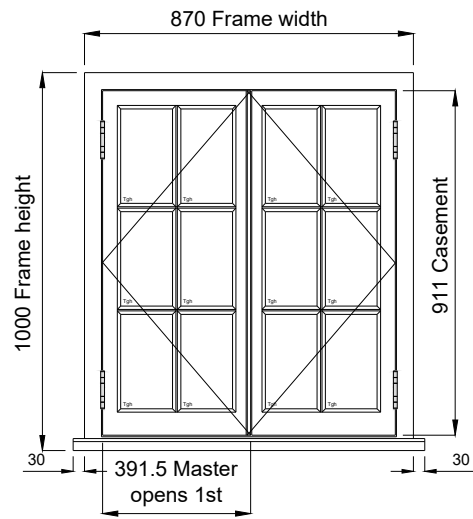
www.coastal-group.com  
HY3R BLU 316 Stainless Steel Butt  
Hinge - Radius Corner  
SKU: HY3R-MSB  
Black finish

Scale	ALL@A3	Drawing No.	5847_5
Date	11/1/24	Rev/Issue	0
Dimension	mm	Drawn by	MT

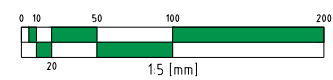
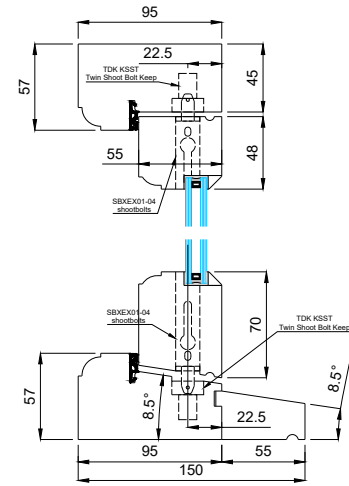
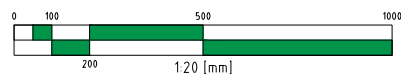
Project Name:  
J5847 - Yew Tree Cottage  
Proposed sections & details to  
**W.08A**



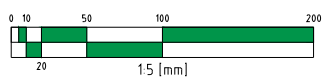
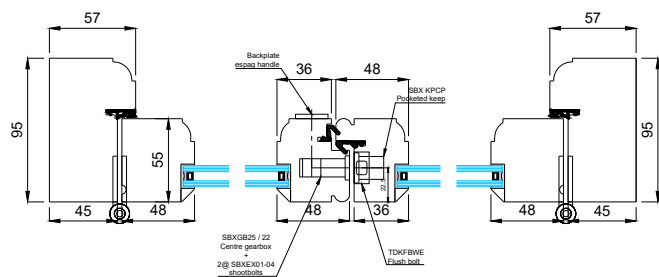
Timbawood Ltd.  
Unit 9, Mount Road Ind. Est. Feltham, TW13 6AR  
Tel: 0800 043 2499 Fax: 0208 867 2767  
email: mail@timbawood.co.uk web: www.timbawood.co.uk



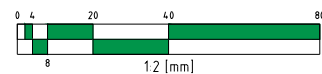
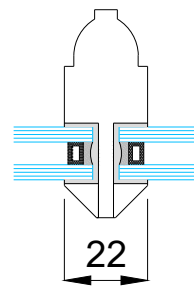
**W.09/W.10**  
Viewed from outside  
Open outwards



Vertical section



Horizontal section



True glazing bar

Note:

1. Window to be glazed with clear Timbalite 4toughened/6/4toughened glass, low-E, krypton filled double glazed units with **white** spacer bars; (no kitemarks on tgh units)
2. All timber to be Redwood Frame /Accoya casement/Sapele Hardwood cill;
3. Window to be fully weather stripped with soft compression seals;
4. Window to come equipped with Kenrick multipoint lock;
5. Each window hung on 2no 3" ball bearing hinges;
6. Colour to be:
  - 6.1. Frame and casement internally/externally - to match RAL 9016 Traffic White, 30% sheen;



www.reddiseals.com  
Monkeytail Window Stay 12"  
SKU: CMK105BL  
Antique Black finish



www.reddiseals.com  
Monkey Tail Espag Window Handle  
SKU: CMK610RBL  
Antique Black finish



www.coastal-group.com  
HY3R BLU 316 Stainless Steel Butt  
Hinge - Radius Corner  
SKU: HY3R-MSB  
Black finish

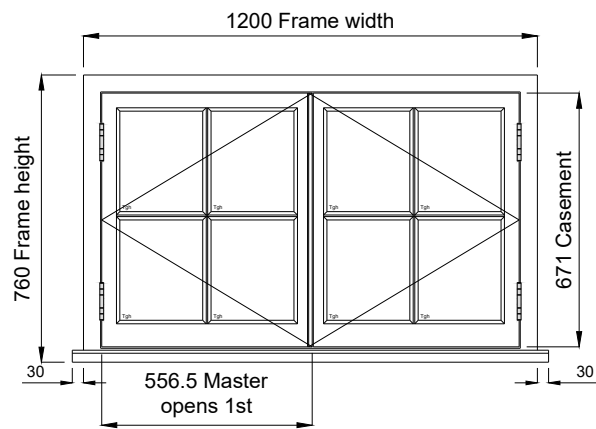
Scale	ALL@A3	Drawing No.	5847_6
Date	11/1/24	Rev/Issue	0
Dimension	mm	Drawn by	MT

Project Name:  
J5847 - Yew Tree Cottage  
Proposed sections & details to  
**W.09/W.10**

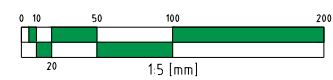
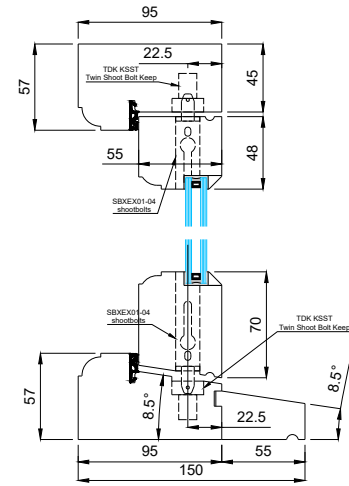
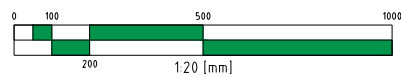


Timbawood Ltd.  
Unit 9, Mount Road Ind. Est. Feltham, TW13 6AR  
Tel: 0800 043 2499 Fax: 0208 867 2767  
email: mail@timbawood.co.uk web: www.timbawood.co.uk

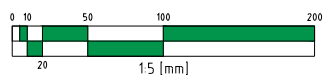
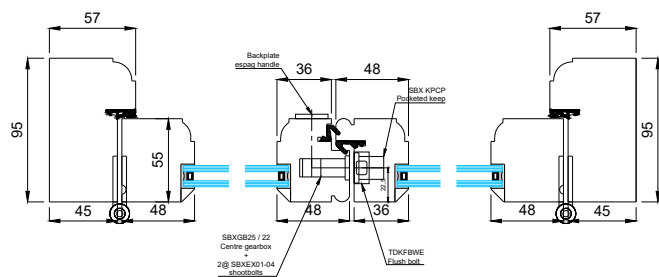




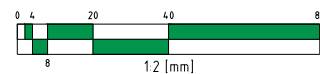
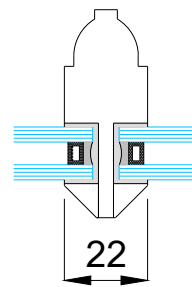
**W.11/W.13**  
Viewed from outside  
Open outwards



Vertical section



Horizontal section



True glazing bar

Note:

1. Window to be glazed with clear Timbalite 4toughened/6/4toughened glass, low-E, krypton filled double glazed units with **white** spacer bars; (no kitemarks on tgh units)
2. All timber to be Redwood Frame /Accoya casement/Sapele Hardwood cill;
3. Window to be fully weather stripped with soft compression seals;
4. Window to come equipped with Kenrick multipoint lock;
5. Each window hung on 2no 3" ball bearing hinges;
6. Colour to be:
  - 6.1. Frame and casement internally/externally - to match RAL 9016 Traffic White, 30% sheen;



www.reddiseals.com  
Monkeytail Window Stay 12"  
SKU: CMK105BL  
Antique Black finish



www.reddiseals.com  
Monkey Tail Espag Window Handle  
SKU: CMK610RBL  
Antique Black finish



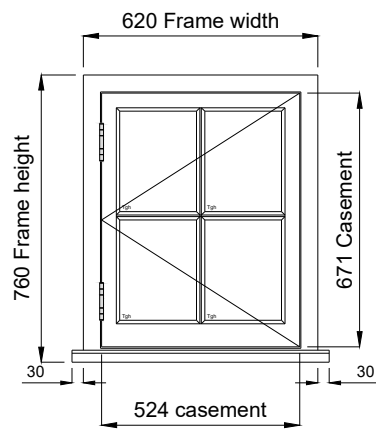
www.coastal-group.com  
HY3R BLU 316 Stainless Steel Butt  
Hinge - Radius Corner  
SKU: HY3R-MSB  
Black finish

Scale	ALL@A3	Drawing No.	5847_7
Date	11/1/24	Rev/Issue	0
Dimension	mm	Drawn by	MT

Project Name:  
J5847 - Yew Tree Cottage  
Proposed sections & details to  
**W.11/W.13**

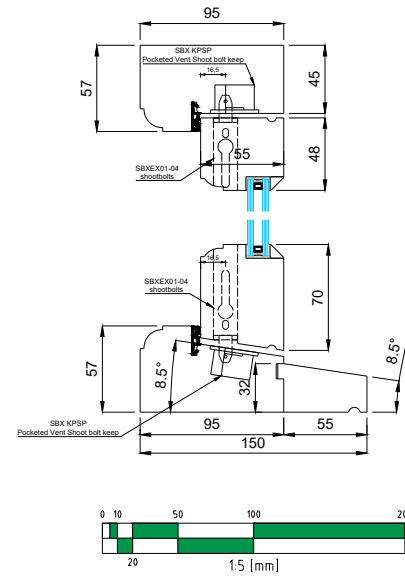
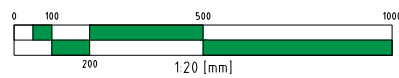


Timbawood Ltd.  
Unit 9, Mount Road Ind. Est. Feltham, TW13 6AR  
Tel: 0800 043 2499 Fax: 0208 867 2767  
email: mail@timbawood.co.uk web: www.timbawood.co.uk

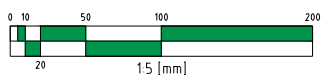
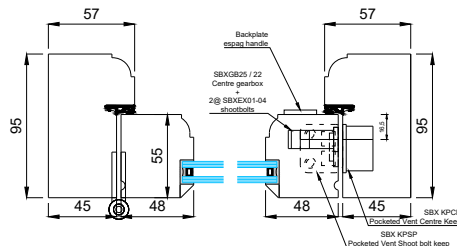


**W.12**

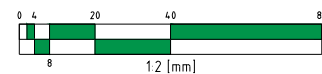
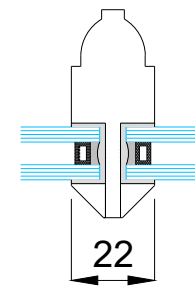
Viewed from outside  
Open outwards



Vertical section



Horizontal section



True glazing bar

Note:

1. Window to be glazed with clear Timbalite 4toughened/6/4toughened glass, low-E, krypton filled double glazed units with **white** spacer bars; (no kitemarks on tgh units)
2. All timber to be Redwood Frame /Accoya casement/Sapele Hardwood cill;
3. Window to be fully weather stripped with soft compression seals;
4. Window to come equipped with Kenrick multipoint lock;
5. Each window hung on 2no 3" ball bearing hinges;
6. Colour to be:
  - 6.1. Frame and casement internally/externally - to match RAL 9016 Traffic White, 30% sheen;



www.reddiseals.com  
Monkeytail Window Stay 12"  
SKU: CMK105BL  
Antique Black finish



www.reddiseals.com  
Monkey Tail Espag Window Handle  
SKU: CMK610RBL  
Antique Black finish



www.coastal-group.com  
HY3R BLU 316 Stainless Steel Butt  
Hinge - Radius Corner  
SKU: HY3R-MSB  
Black finish

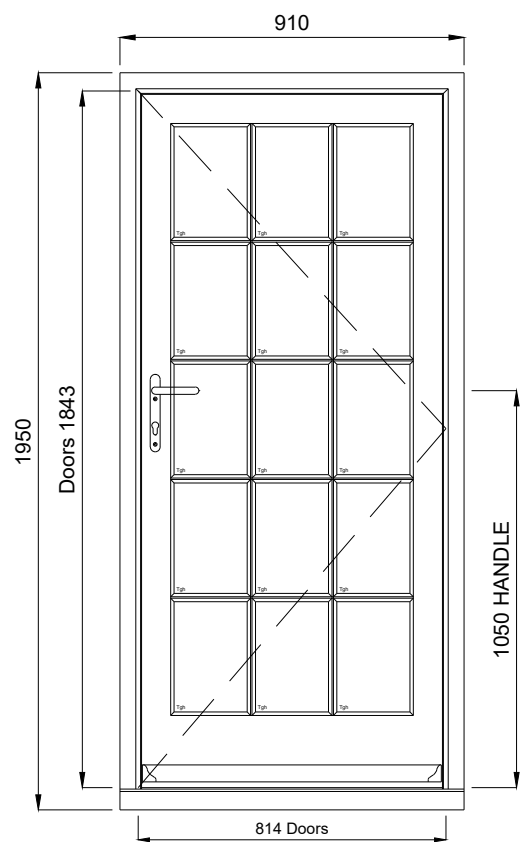
Scale	ALL@A3	Drawing No.	5847_8
Date	11/1/24	Rev/Issue	0
Dimension	mm	Drawn by	MT

Project Name:  
J5847 - Yew Tree Cottage  
Proposed sections & details to  
**W.12**

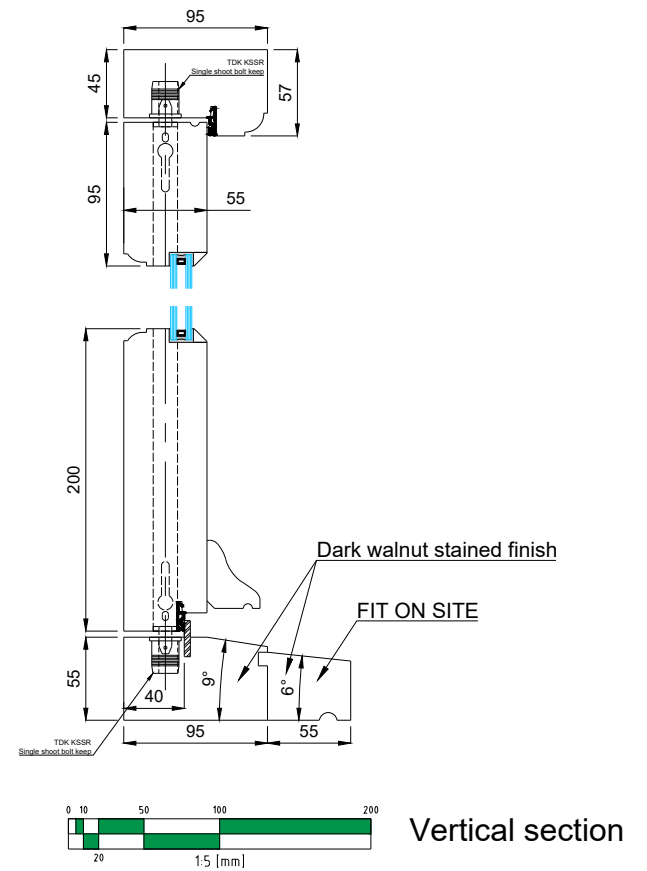
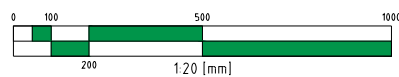


Timbawood Ltd.  
Unit 9, Mount Road Ind. Est. Feltham, TW13 6AR  
Tel: 0800 043 2499 Fax: 0208 867 2767  
email: mail@timbawood.co.uk web: www.timbawood.co.uk

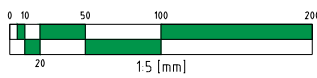
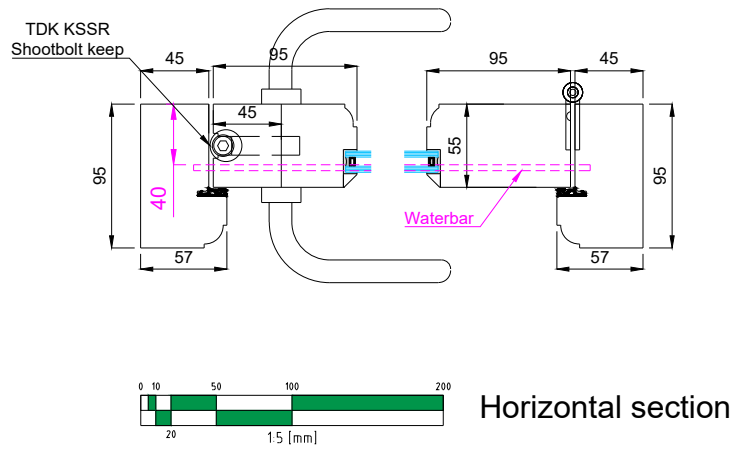
Copyright - Timbawood Ltd. All designs and drawings are the intellectual property of Timbawood Ltd and must not be used or copied without the permission of Timbawood Ltd



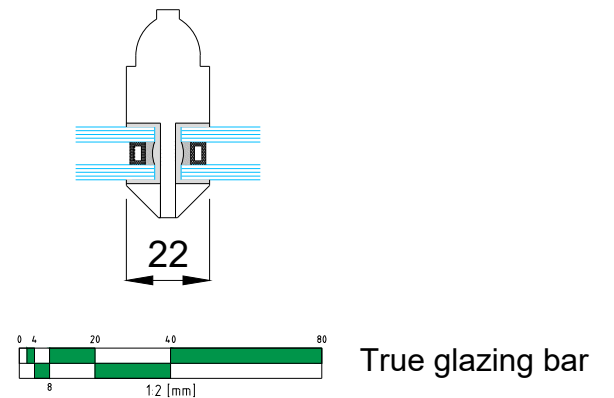
**D.01**  
Viewed from outside  
Open inwards



Vertical section



Horizontal section



True glazing bar

Note:

1. Doors to be glazed with clear Timbalite 4toughened/6/4toughened glass, low-E, krypton filled double glazed units with **white** spacer bars; **(no kitemarks on tgh units)**
2. All timber to be Redwood Frame /Accoya Doors/Sapele Hardwood cill;
3. Doors to be fully weather stripped with soft compression seals;
4. Doors to come equipped with Hurricane multipoint lock;
5. Each door hung on 3no 4" ball bearing hinges;
6. Colour to be:
  - 6.1. Frame and doors internally/externally - to match RAL 9016 Traffic White, 30% sheen;



www.handles4u.co.uk  
Anvil Black Monkeytail Euro  
Espag door handle  
SKU: 33037R  
Antique Black finish



www.coastal-group.com  
HQ4R BLU 316 Stainless Steel  
Butt Hinge - Radius Corner  
SKU: HQ4R-MSB  
Black finish

Scale	ALL@A3	Drawing No.	5847_9
Date	11/1/24	Rev/Issue	0
Dimension	mm	Drawn by	MT

Project Name:  
J5847 - Yew Tree Cottage  
Proposed sections & details to  
**D.01**



Timbawood Ltd.  
Unit 9, Mount Road Ind. Est. Feltham, TW13 6AR  
Tel: 0800 043 2499 Fax: 0208 867 2767  
email: mail@timbawood.co.uk web: www.timbawood.co.uk