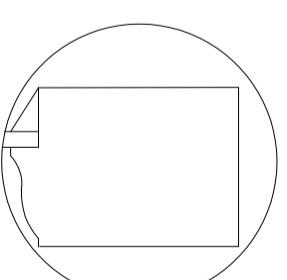


EXISTING & PROPOSED ELEVATIONS

NOTES

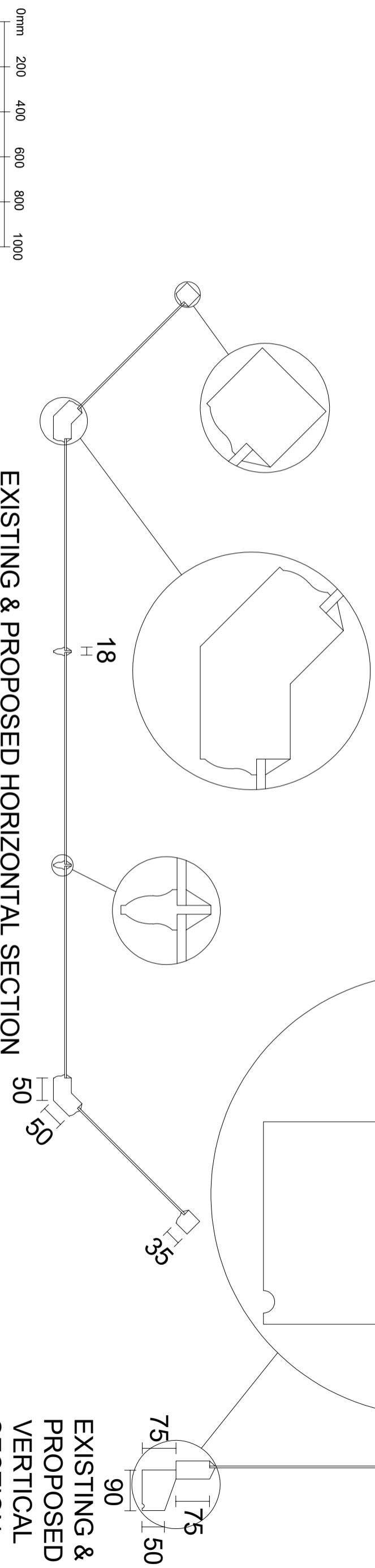
- Existing fixed bay beyond repair.
- New fixed bay to match existing to be manufactured from FSC/PEFC Sapele glazed with 4mm glass and face puttied internally.
- All sizes, sections and mouldings to match existing unless otherwise required by Conservation Officer.
- New fixed light to be painted to match existing.



Ø 50



EXISTING & PROPOSED PLAN



EXISTING & PROPOSED HORIZONTAL SECTION

EXISTING & PROPOSED VERTICAL SECTION

Ventrolia
Ventrolia House
Crimple Court
Hornbeam Park
Harrogate
HG2 8PB

Notes:
All dimensions must be checked on site.

Client: Peter Rhodes
Job Title: Bacons, High Street, Amberley

Scale: 1:20, 1:10 & 1:2 @ A3
Drawn By: SM
Date: February 2024

Drawing Title: Existing & Proposed External Elevations - Item 11
Drawing Number: B/HD/A/09
Rev: