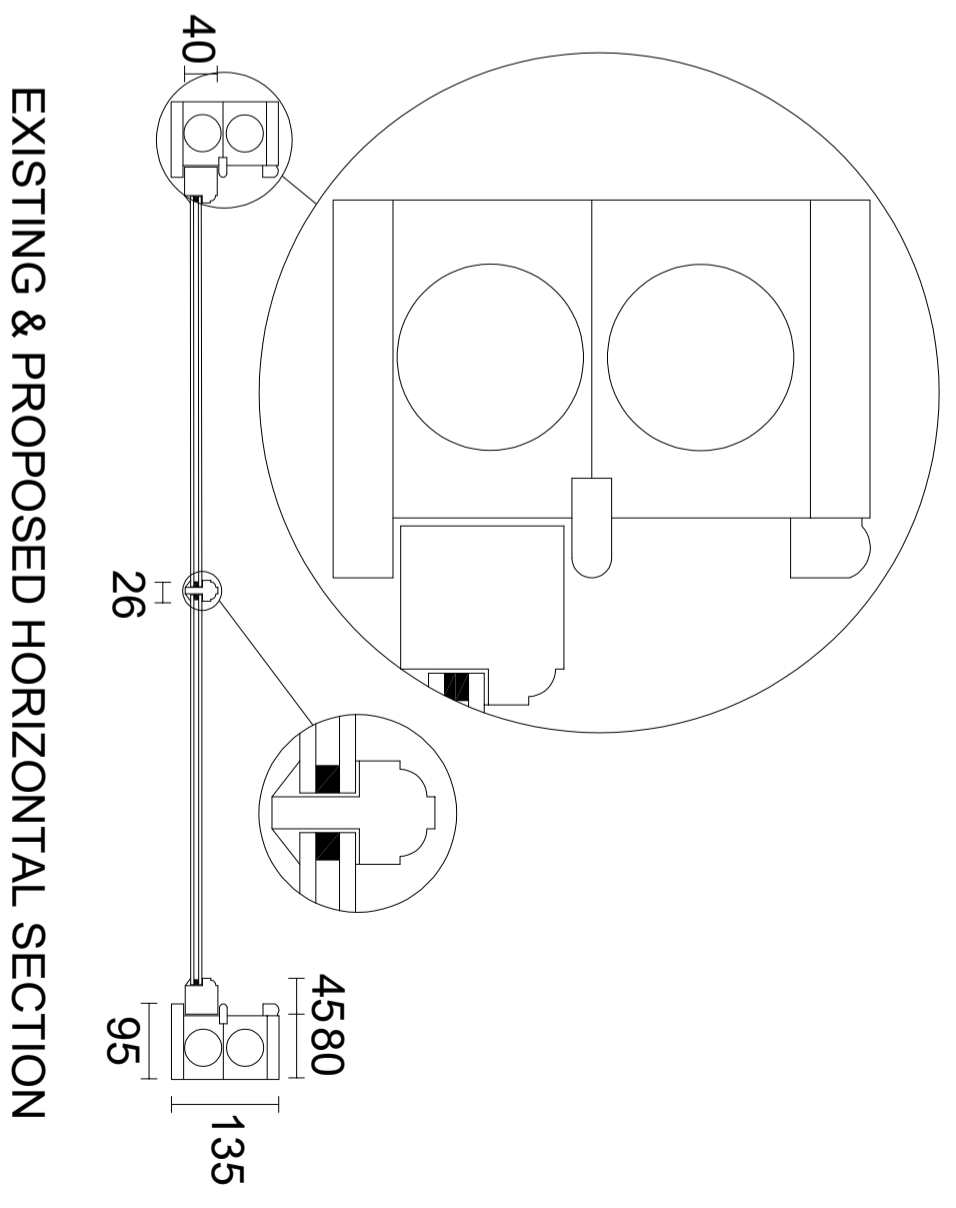
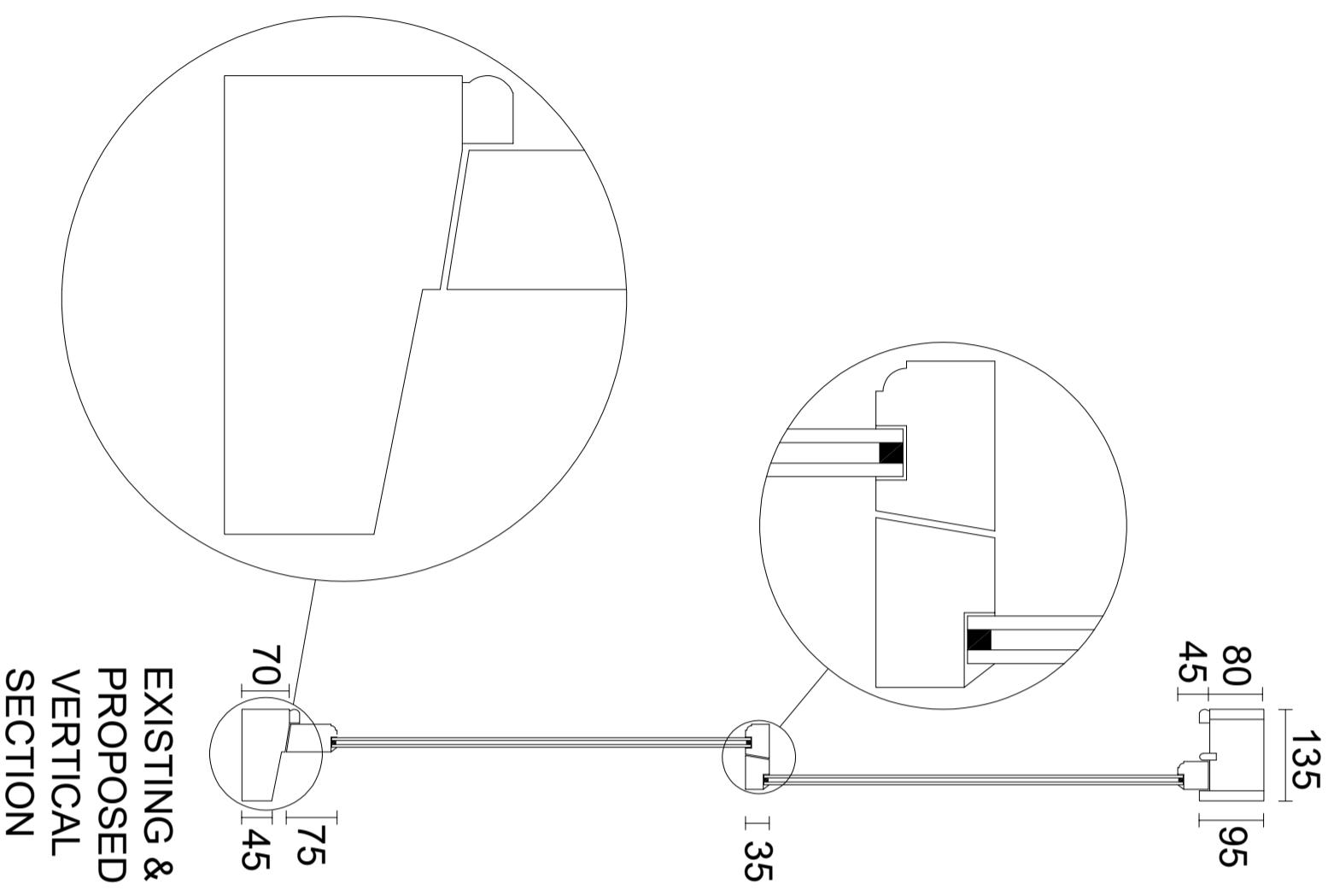


REFER TO DRAWINGS  
B/H/S/A/05 FOR  
EXISTING & PROPOSED  
EXTERNAL ELEVATIONS



Ventrolia  
Ventrolia House  
Crimple Court  
Hornbeam Park  
Harrogate  
HG2 8PB

Notes:  
All dimensions must be checked on site.

Client: Peter Rhodes  
Job Title: Bacons, High Street, Amberley

Scale: 1:10 & 1:2 @ A3  
Drawn By: SM  
Date: February 2024

Drawing Title:  
Existing & Proposed Sections  
& Details - Item 6  
Drawing Number:  
B/HD/A/06  
Rev: