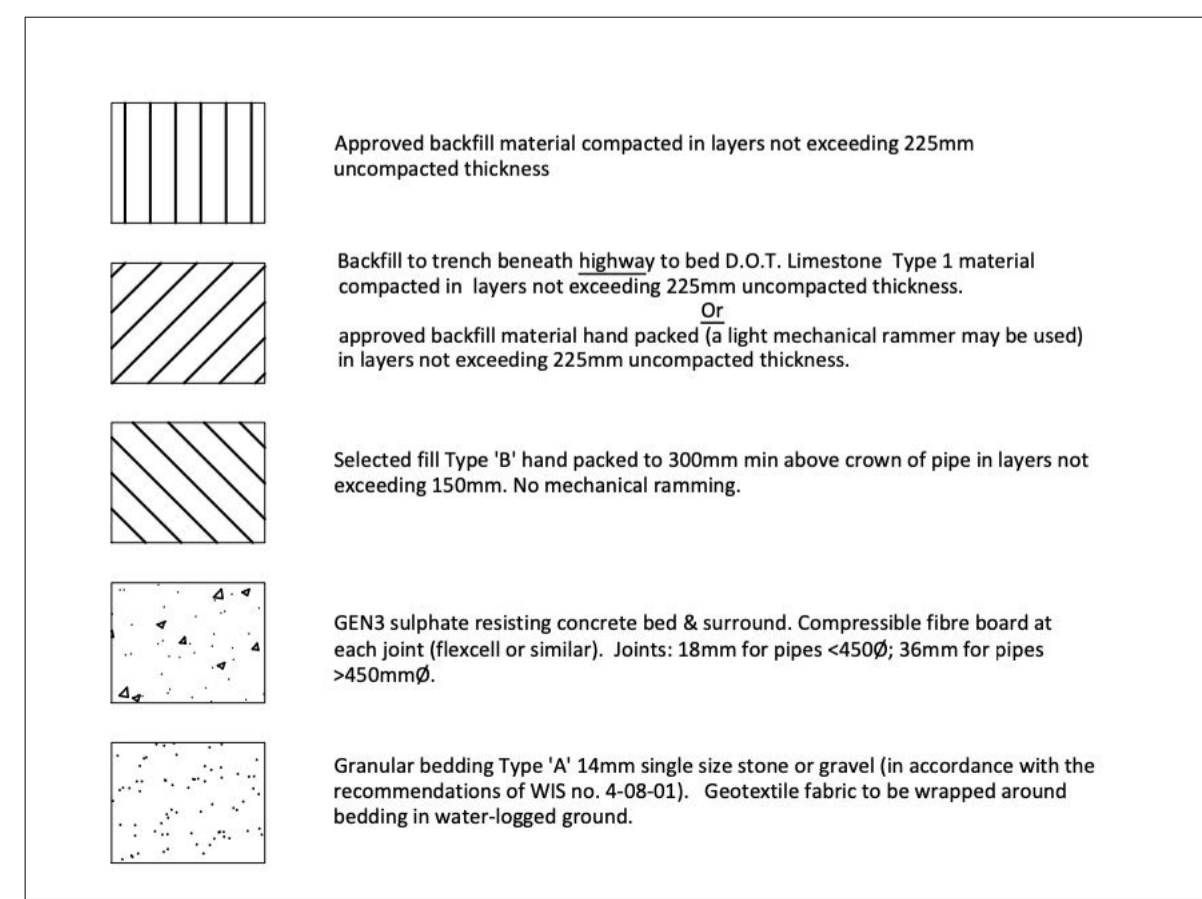
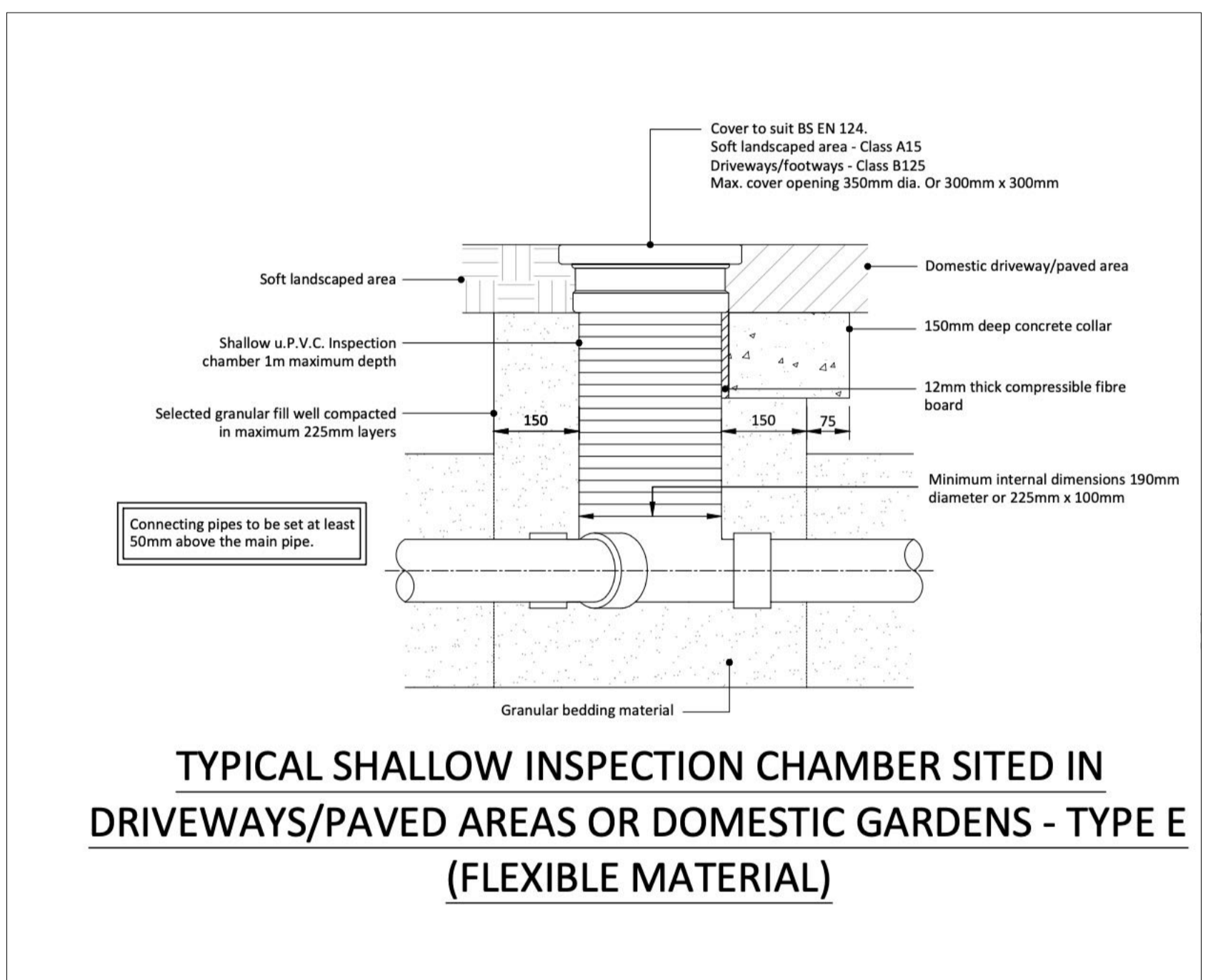
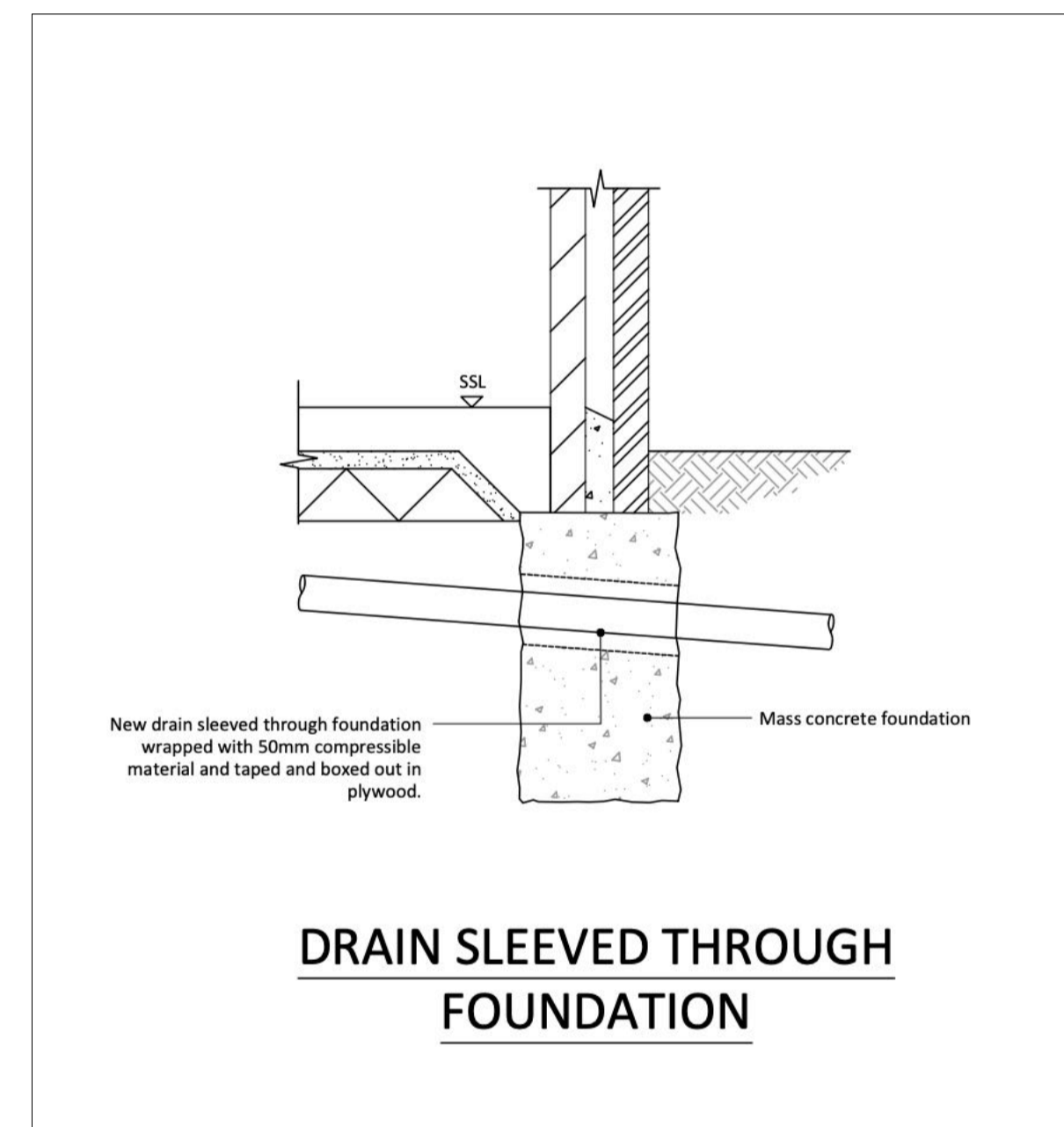
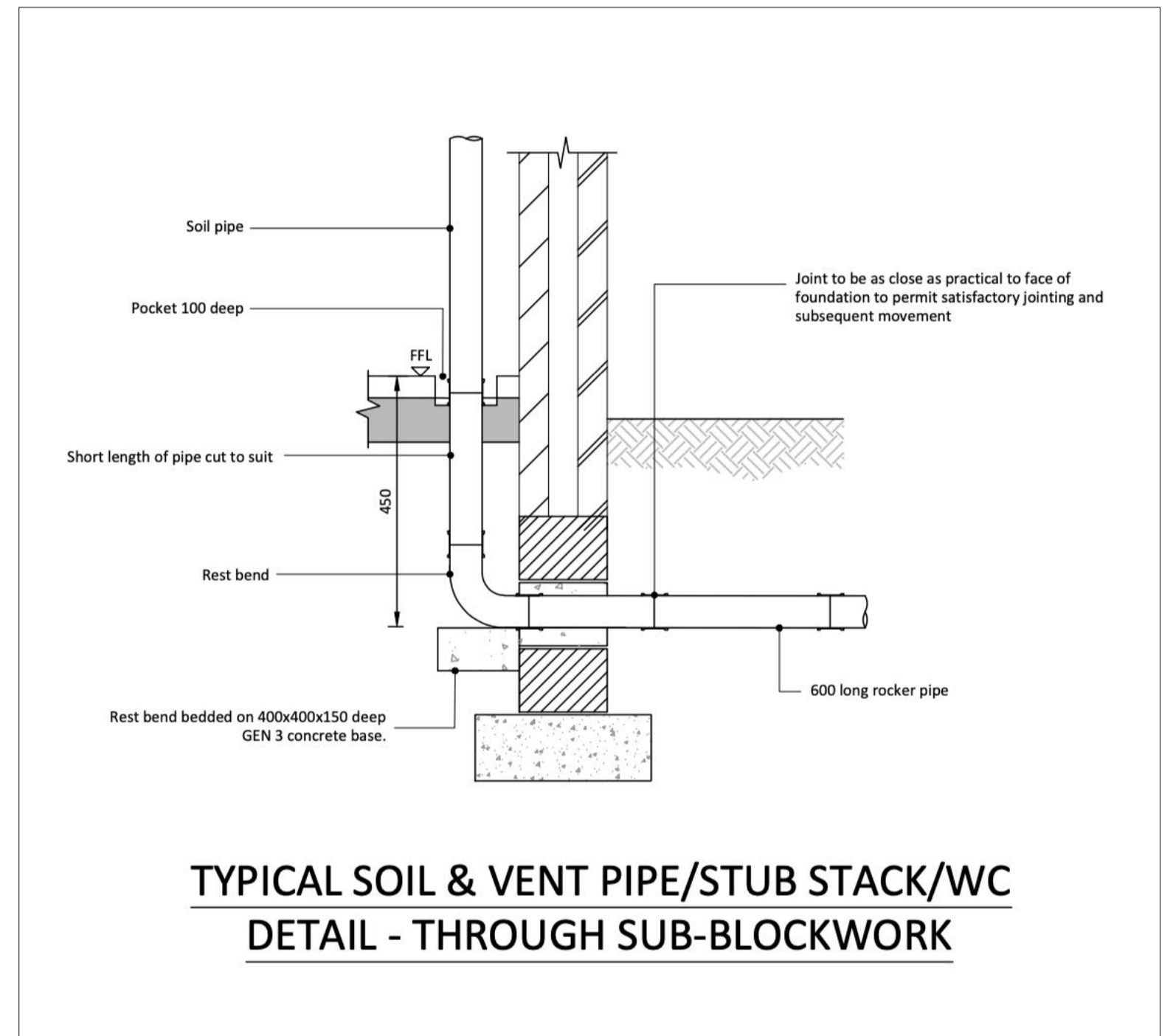
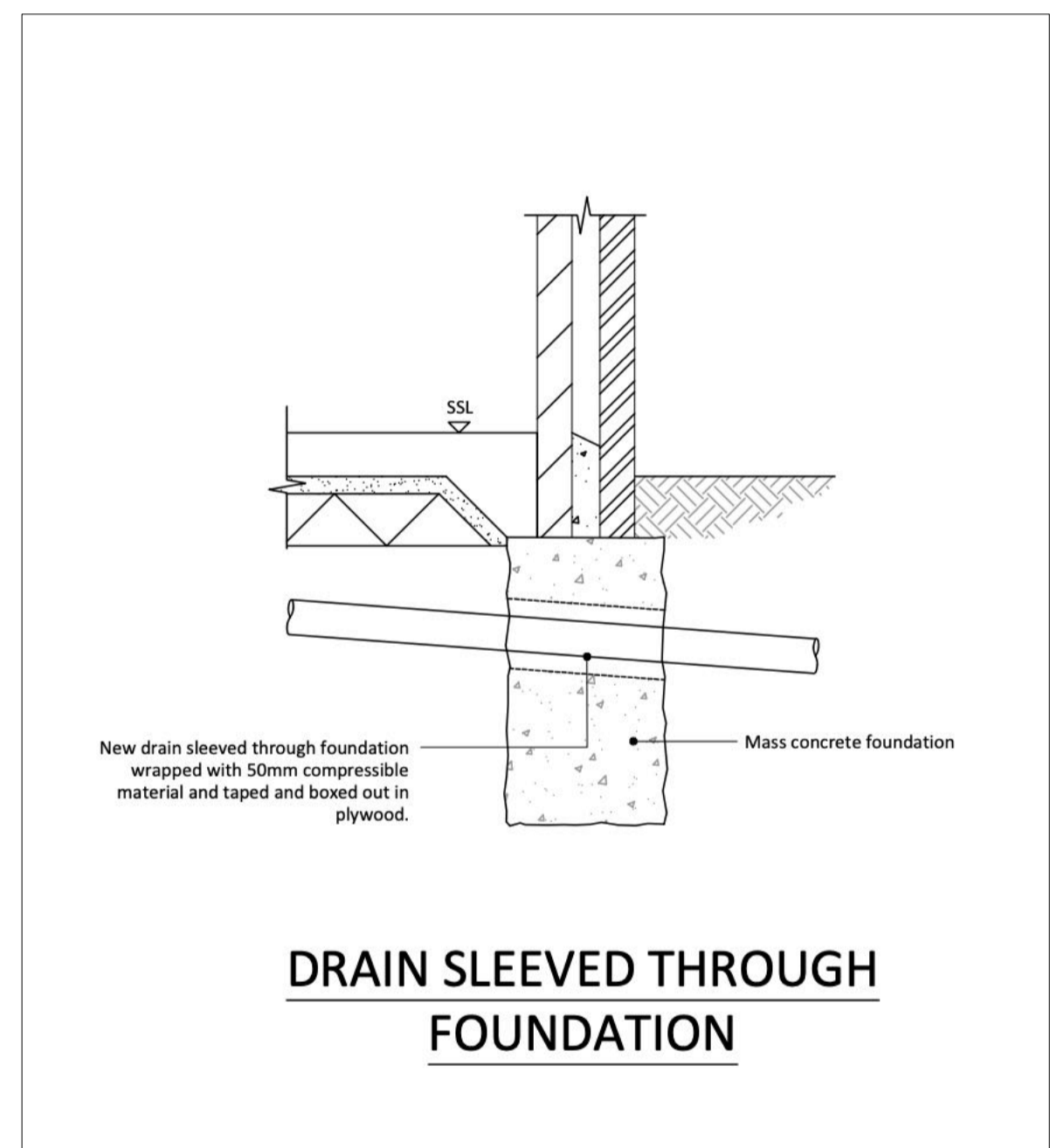


Plastic chambers and rings shall comply with BS EN 13598-1 and BS EN 13598-2 or similar approved



Bedding/backfill notes

- As dug materials may not be used for bedding or sidefill on land contaminated by domestic building or industrial waste.
- Imported air cooled blast furnace slag and pulverised fuel ash are not to be used with ductile iron or steel pipelines.
- Sulphate content of bedding/backfill material not to exceed 0.3% when expressed as sulphur trioxide.
- Backfill material under all adoptable carriageways, footways and existing public highway shall be D.O.T. limestone Type 1 material in accordance with the local authority specification. Backfilling to all trenches within 1m of an adoptable highway hard surface to be D.O.T. Limestone Type 1 material.

Selected fill Type 'B' (clause 3.2-26.3)

Normal fill material to be approved uniform readily compactable material free from tree roots, vegetable matter, building rubbish & frozen soil or material susceptible to spontaneous combustion, and excluding clay of liquid limit greater than 80 and / or plastic limit greater than 55 and any other materials of excessively high moisture content. Clay lumps and stones retained on 75mm and 37.5mm sieves respectively shall be excluded.

The minimum depth of cover to the crown of gravity pipes without protection should be as follows:
a. domestic gardens and pathways without any possibility of vehicular access, 0.35 m;
b. domestic driveways, parking areas and yards with height restrictions to prevent entry by vehicles with a gross vehicle weight in excess of 7.5 tonnes, 0.5 m;
c. domestic driveways, parking areas and narrow streets without footways (e.g., mews developments) with limited access for vehicles with a gross vehicle weight in excess of 7.5 tonnes, 0.9 m;
d. agricultural land and public open space, 0.9 m;
e. other highways and parking areas with unrestricted access to vehicles with a gross vehicle weight in excess of 7.5 tonnes, 1.2 m.

BUILDING REGULATION ISSUE

project	Proposed Replacement Dwelling - The Hollies, Rectory Road, Orsett, Essex	project no.	2121
drawing	Typical Drainage Details	drawing no.	26
		scale	NTS
		date	Nov 2023
		revision	

enquiries@simonburkedesign.co.uk
01206 692 511
Unit 4C Room 2, The Gattinets, Hadleigh Road
East Bergholt, Colchester, Essex CO7 6QT