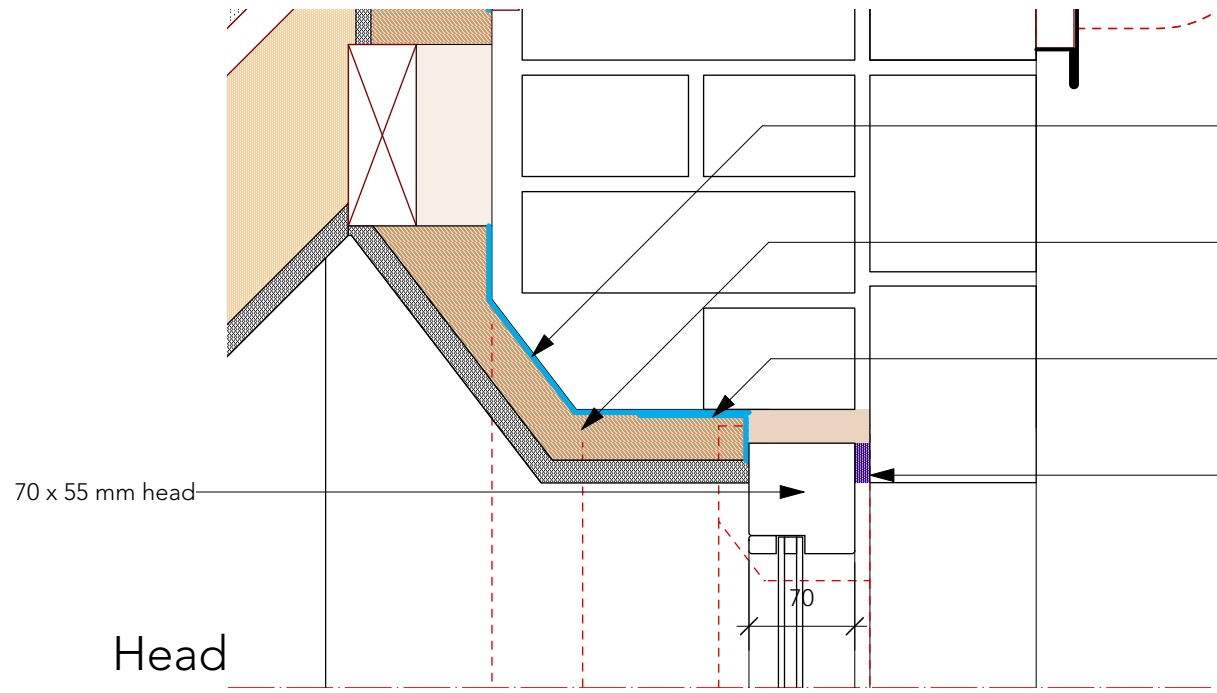


**PRELIMINARY**

**Notes**  
 All dimensions to be checked on site prior to commencement of any works.  
 Refer any discrepancies to the architect.

**Notes**

- Timber: Hardwood frames/ Accoya casements
- Finish: Workshop applied 3-layer opaque system
- Hardware: Side hung hinges; espagnolette multipoint locking
- Single compression seal for long-term airtightness
- Glazing: 4-8-4 mm Slenderpane/ Pilkington 4-8Kr-KS4 double glazing units; U value 1.1 W/m<sup>2</sup>K; g value 0.71

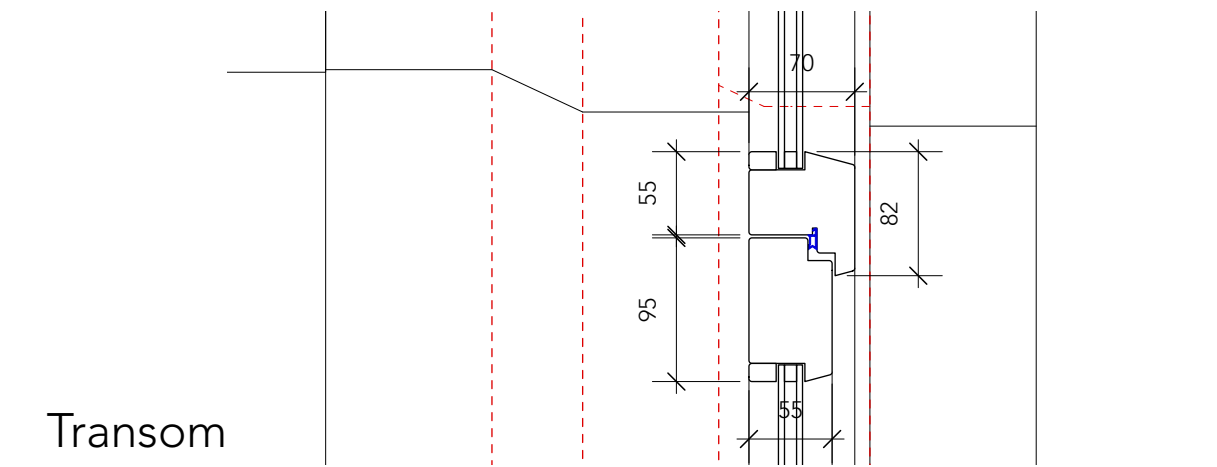


proprietary brush applied liquid air barrier system to reveal (AIRTIGHTNESS)

minimum 20 mm rigid wood fibre insulation bonded and mechanically fixed to reveal with proprietary mesh reinforced lime based plaster system finish; ensure no cavity between rear of wood fibre and reveal; lambda value 0.038 W/mK

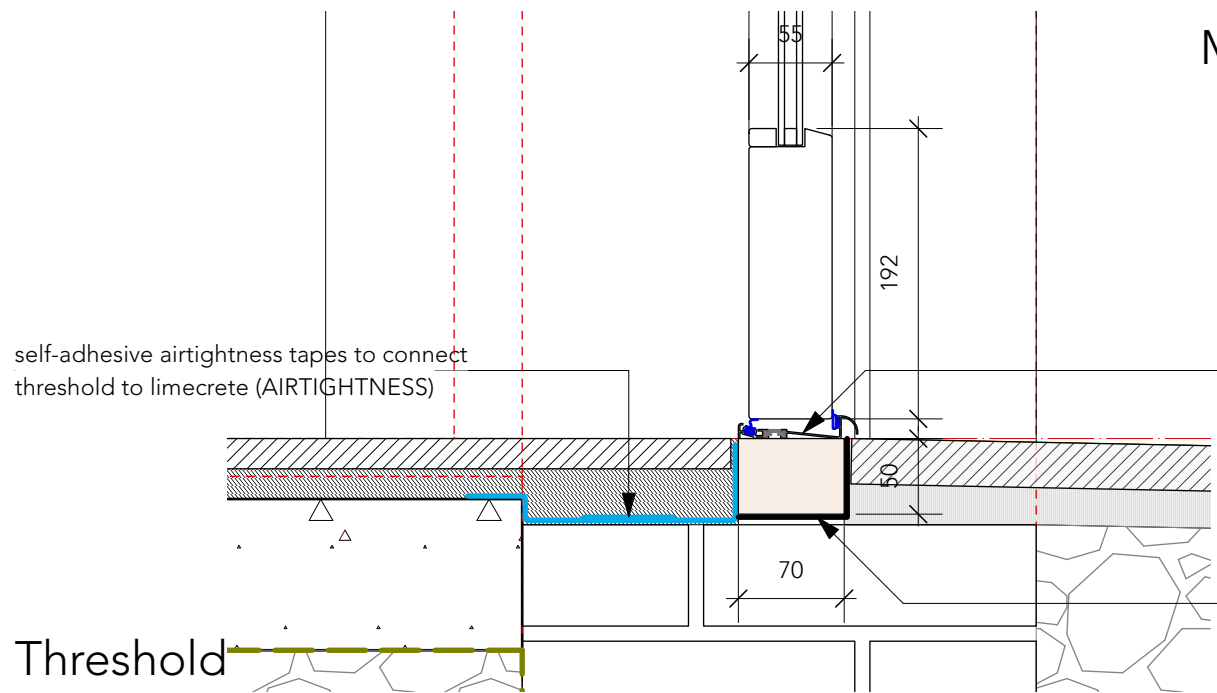
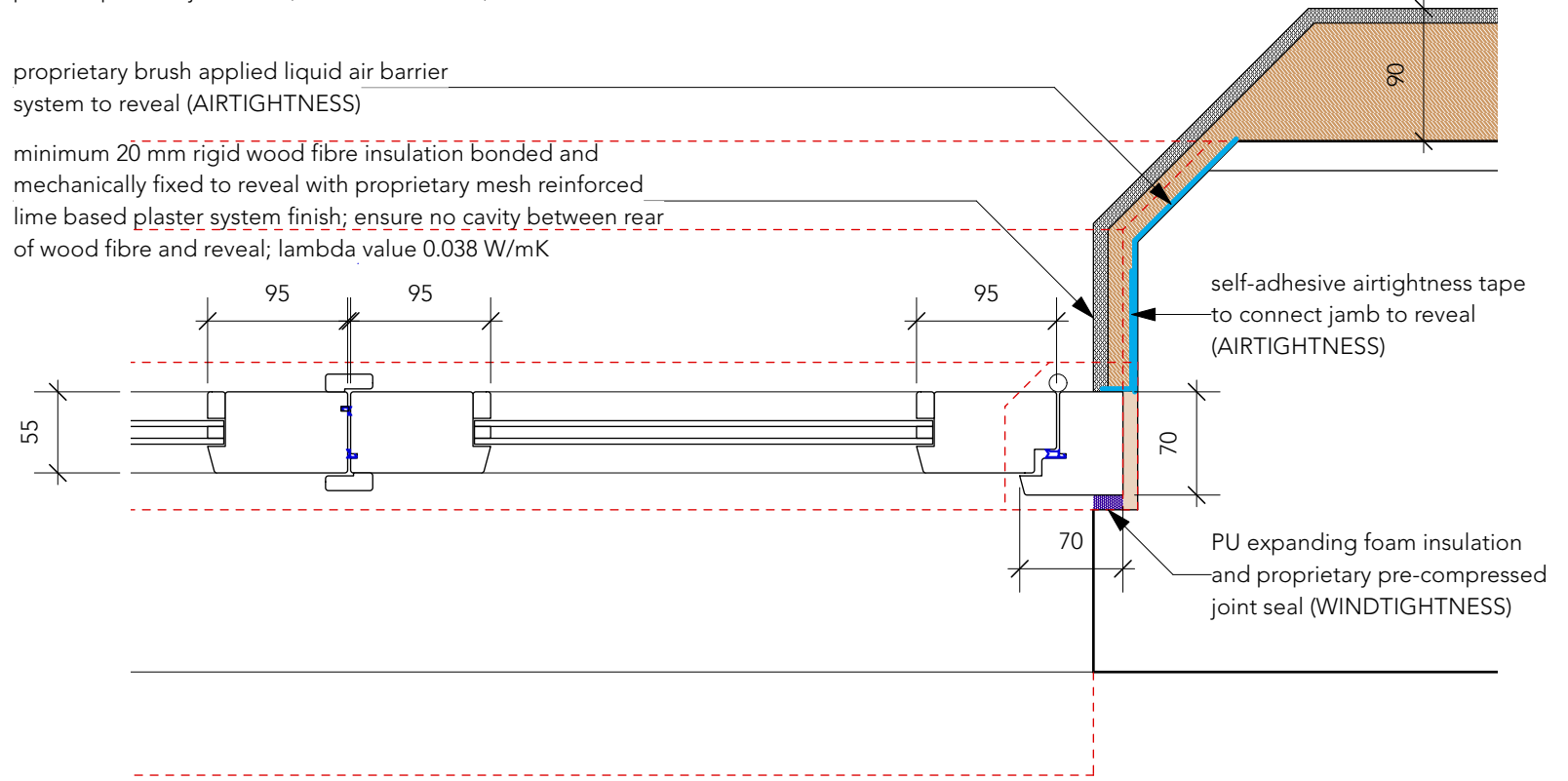
self-adhesive airtightness tape to connect jamb to reveal (AIRTIGHTNESS)

PU expanding foam insulation and proprietary pre-compressed joint seal (WINDTIGHTNESS)



proprietary brush applied liquid air barrier system to reveal (AIRTIGHTNESS)

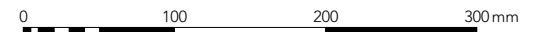
minimum 20 mm rigid wood fibre insulation bonded and mechanically fixed to reveal with proprietary mesh reinforced lime based plaster system finish; ensure no cavity between rear of wood fibre and reveal; lambda value 0.038 W/mK



Exitex thermally broken mill aluminium threshold bar

DPC wrapped around Compacfoam 200 rigid thermoplastic insulation threshold; density 200 kg/m<sup>3</sup> (lambda value 0.046 W/mK)

P2	20.09.23	Profiles amended; single compression seal	AG
P1	18.09.23	Initial issue	AG
Rev	Date	Amendment	By Chkd



**French door profiles**

Proposed conversion to dwelling  
 Former Methodist Chapel, The Street, Braughing, Herts SG11 6RD

Scale 1:5 @ A3 Date Sep 2023 Drawing no. 22\_404 | C | 042\_P2

**Good Architecture**  
 90 Ware Road, Hertford SG13 7HN  
 T: +44 (0)1992 501073  
 contact@goodarchitecture.co.uk  
 www.goodarchitecture.co.uk