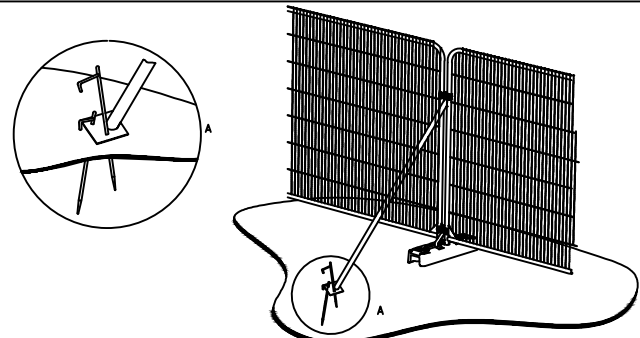
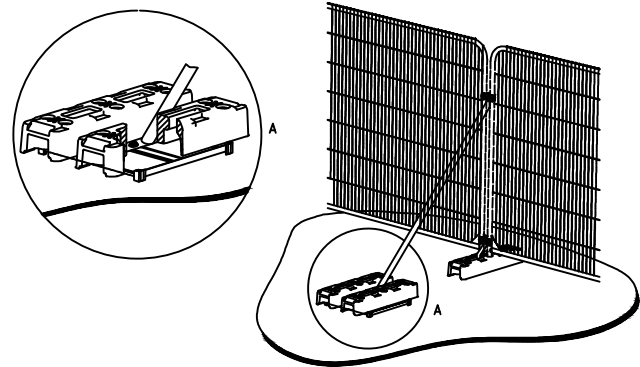


Figure 3 Examples of above-ground stabilizing systems

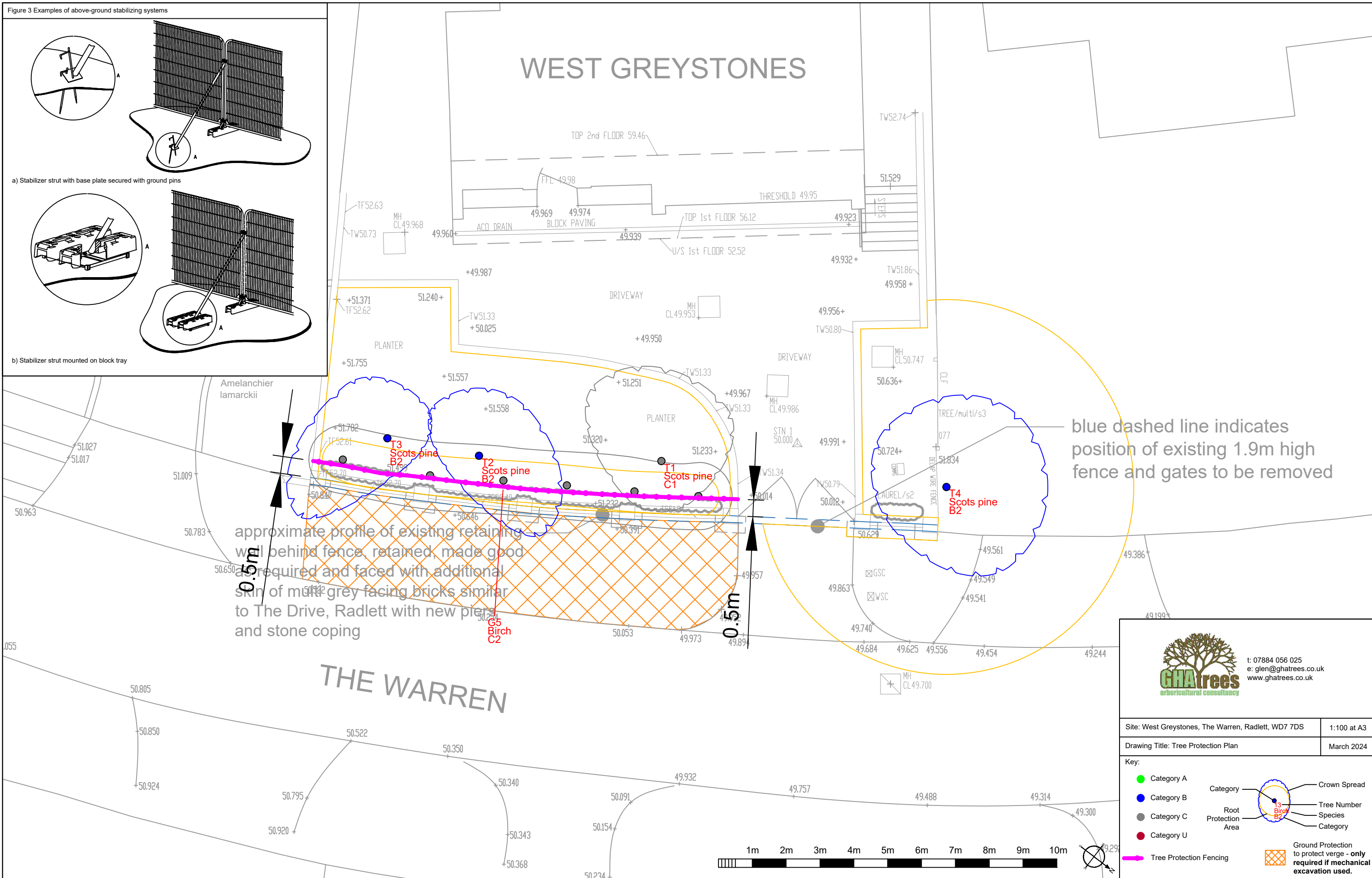


a) Stabilizer strut with base plate secured with ground pins



b) Stabilizer strut mounted on block tray

# WEST GREYSTONES



blue dashed line indicates position of existing 1.9m high fence and gates to be removed

approximate profile of existing retaining wall behind fence, retained, made good as required and faced with additional skin of multi grey facing bricks similar to The Drive, Radlett with new pier and stone coping



t: 07884 056 025  
e: glen@ghatrees.co.uk  
www.ghatrees.co.uk

Site: West Greystones, The Warren, Radlett, WD7 7DS 1:100 at A3  
Drawing Title: Tree Protection Plan March 2024

Key:

- Category A (Green dot)
- Category B (Blue dot)
- Category C (Grey dot)
- Category U (Red dot)

Tree Protection Fencing (Pink line)

Ground Protection to protect verge - only required if mechanical excavation used. (Orange hatched area)

Category Root Protection Area (Blue dashed line)

Crown Spread (Blue circle)

Tree Number (e.g., T3)

Species (e.g., Scots pine)

Category (e.g., B2)