



Patio roof

# Terrazza Pure

06

**Terrazza Pure** is the perfect weather protection solution to bring as much light as possible to patios in Northern and Central European regions with less sun and more rain – and all in an elegant cubic design. The new cubic glass patio roof design is something really special: as the combination of its cubic shape and glass-covered roof is only offered by a few manufacturers on the market in a quality that doesn't come close to weinor's.

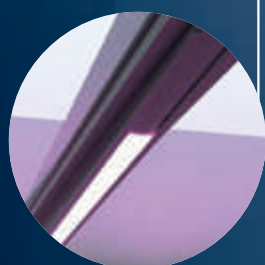


**New rectangular shape for modern architecture provides head clearance heights with low wall bracket too**

**Highest quality profile:** all weinor profiles are always cut to size **before** powder coating. This ensures optimum corrosion resistance.



**Side roof supports:**  
Can be individually fitted with decorative strips



**Innovative roof support design thanks to:**

- Decorative strips in trend colours or the frame colour
- High-quality colour LED strip
- LED strips and decorative strips can be freely combined

**Decorative strips in 5 trend colours**



**Attractive post design thanks to:**

- Decorative strips in trend colours or the frame colour
- High-quality 400 colour LED strip below
- High-quality 1,600 colour LED strip above

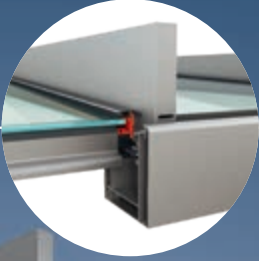


# Terrazza Pure Highlights

## Innovative glass support system:

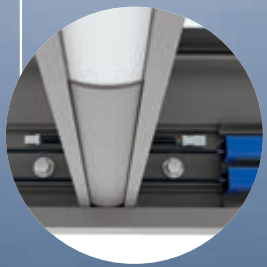
Flush, proven to be stable, secure and watertight

Reliable drainage with linear look at the same time



## No angles:

Ideal for optional conversion with glazing elements



## New cabling concept:

Integrated electronics and easy to reach cable paths



## SUPER LITE side glazing:

Can be integrated extremely easily into roof supports

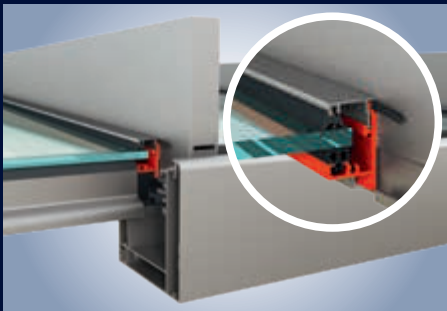


# Terrazza Pure Benefits



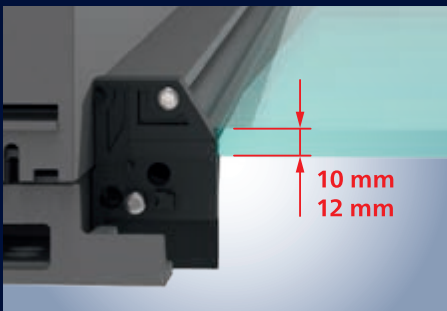
## Modern design in a class of its own

Terrazza Pure is one of the highest quality cubic patio roofs on the market with straight roof supports and fixed, supported glass supports for an integrated glass slope. The rectangular design harmonises perfectly with linear architecture, however old the building is.



## Innovative glass support system

weinor developed the unique glass support system especially for Terrazza Pure. The supported glass support system forms a slope inside the horizontal roof support. This ensures the reliable drainage of water over the emergency drainage gutter and at the same time provides the cubic look.



## Stable glass – resilient, shatter-proof and flooded with daylight

Terrazza Pure is designed for high-quality laminated safety glass (LSG):

- Roofing from 10 or 12 mm LSG
- Highly resilient, structurally tested
- Accessible to personnel for maintenance work from a thickness of 10 mm



## High-quality colour LED strips

A new lighting concept allows for the fitting of posts and roof supports with colour LED strips:

- 400 mm long in lower post area
- 1,600 mm long in upper post area
- On the underside of the roof support
- Integrated cabling ready to plug in



## Elegant decorative strips

5 different anodised aluminium decorative strips (silver aluminium, copper aluminium, brown aluminium, brass aluminium and anthracite aluminium) can be integrated into posts and roof supports:

- Across the entire length of the posts' outsides
- On the underside of the centre roof support
- Sideways on the outer roof supports



## Terrazza Pure Benefits – expandable system



### Modular system – really easy to expand

Terrazza Pure can be expanded by vertical glass elements to create the Glasoase®. The components are:

- The w17 easy full glass sliding door
- Fixed glazing without frames, SUPER LITE side element
- The dimensions and shape of the guttering and the posts have been designed in such a way that glazing elements (GE) can be mounted without additional profiles
- Clever cabling concepts tailored to the products



### Sun protection – glare, privacy and heat protection

weinor offers conservatory and vertical awnings to complement Terrazza Pure. They prevent patios and indoor rooms from heating up and protect against unpleasant glare and furniture and carpets fading. Vertical sun protection provides privacy protection on the sides. They are ideally tailored to Terrazza Pure and can also be retrofitted later on.

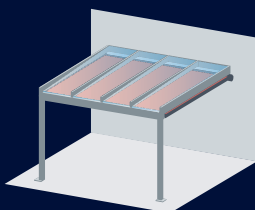


### High-performance Tempura Quadra heating system

Tempura, the energy-efficient infrared heating system convinces with heat output of 1,500 watt in a tiny housing.

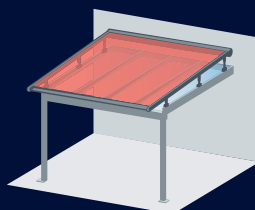
- Instant heat: no warm-up time
- Turn as required for targeted warmth
- Dimmable when used with BiConnect or Somfy io-homecontrol® radio control
- Splash protection
- Comes in 47 standard frame colours plus 9 trend colours in trend colours with a smart, textured look
- Optional: 150 special RAL colours
- Universal bracket makes it easy to retrofit
- TÜV tested

06



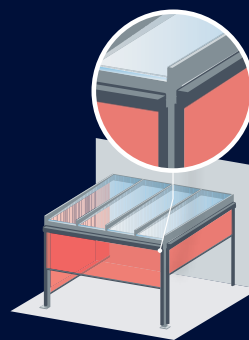
#### Under roof awning

The Sottezza Pure and Originale under roof conservatory awning protects against dazzle and UV rays. Perfectly matched to the Terrazza Pure, it is ideally suited for well-ventilated rooms.



#### The over roof conservatory awning

A roof-mounted conservatory awning from the WGM range is the ideal solution for side elements that are closed for the most part. It protects against overheating.



#### Side awning

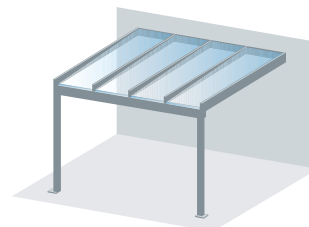
The weinor vertical sun protection systems VertiTex II offer reliable privacy, glare and sun protection.

# Terrazza Pure Technology

## Technology overview

### Terrazza Pure

#### Type A pent roof with integrated rain gutter



### Technology

Max. roof width	7,000 mm, single section roof, symmetrical roof panels
Min. – max. roof depth	1,600 mm – 4,000 mm
Glass slope (up to 2,599 mm roof depth)	3.2°
Glass slope (up to 4,000 mm roof depth)	2.1°
Guttering drainage	<input type="radio"/> covered
Snow load 750 N/m <sup>2</sup>	<input checked="" type="radio"/>
Snow loads up to 5,500 N/m <sup>2</sup>	<input type="radio"/>

### Options

Colour LED strips in roof supports	<input type="radio"/>
Colour LED strips in 400/1,600 mm posts	<input type="radio"/>
Decorative strips in the centre roof supports from below	<input type="radio"/>
Decorative strips in the side roof supports facing out	<input type="radio"/>
Decorative strips in the posts	<input type="radio"/>
Tension rod in the outer roof panels	<input type="radio"/>
Preparation for 230 V mains connection in the guttering and wall bracket	<input type="radio"/>

### Accessories

Underlay sun protection	<input type="radio"/>
Overlay sun protection	<input type="radio"/>
Vertical sun protection	<input type="radio"/>
Vertical glass elements	<input type="radio"/>
Tempura/Tempura Quadra heating system	<input type="radio"/>

### Post

115 post (square)	<input checked="" type="radio"/>
-------------------	----------------------------------

### Guttering

105 guttering	<input checked="" type="radio"/>
---------------	----------------------------------

Depending on the design, differing distances between centre lines and the resultant additional roof panels can occur. Other individual shapes and maximum dimensions possible upon request.

● standard   ○ optional   — unavailable

## Details about weinor Terrazza Pure

### Terrazza Pure scope of delivery

All the small parts required to install a Terrazza Pure roof are supplied as standard. Please also note any possible different or additional statements in the commercial or technical confirmation of the order.

### Terrazza Pure Planning/Site Measuring

- Accurate site measuring is a basic requirement for the job to be carried out well. It is the foundation for the roof's production and to establish other construction requirements.
- weinor needs the roof dimension you want. Please make a note of obstacles like: protruding walls, rainwater downpipes, etc.
- Remember: the roof must be aligned straight.
- Carefully mark the cutting check and location of the special features you noted on site.
- Ideally, take digital photos of the installation site. Your technicians will be grateful for the more detailed information from good photos later on. The weinor staff can then get a better idea of what the site looks like and possibly provide you with non-binding details.
- Also measure the current situation on your building site. This makes it easier to talk about any necessary changes without measuring the site again.
- Unless otherwise specified, the glazing elements will be provided in the specified standard version.
- When designing the glazing elements and specifying glass thicknesses, the relevant statutory regulations must be observed at all times. weinor plans the glazing elements according to the lowest wind load (installation height: 0–8 m; dynamic pressure: 500 N/m<sup>2</sup>) and applies the specified standard glass thickness to the glazing elements. If different GE types are being used, this may result in deviations in the shape and/or colour of the various handles and glazing beads.
- The owner and customer are ultimately responsible for the statics design of the roof, glazing elements and accessories. In this context, the relevant valid statutory regulations must be observed, in particular Eurocode DIN EN 1990 and 1991, which define wind and snow loads.
- Powder coating: All weinor patio roof and glazing element surfaces are always supplied powder-coated. Caution, deviations in colour: the degree of sheen in the coating and different powder manufacturers may lead to deviations in colour occurring. The critical colours are RAL 9006 and RAL 9007 as well as all metallic (WT) colours.
- As a rule, production will not commence until after written approval of the order. Orders placed via the E-Shop are accepted without written approval and forwarded to Production immediately after the order confirmation

has been dispatched. No collateral agreements will be accepted as part of the contract.

- Changes to orders made after an order has been approved are only possible in certain instances depending on how far along the production stage has advanced and will therefore incur an additional charge.

### Sun protection

- You can either provide sun protection for the Terrazza Pure roof using a WGM Top or undermounted Sottezza Pure and Originale.
- The weinor VertiTex II can provide sun protection for the front and sides. This also provides glare and privacy protection.

### Installation

- Check the structural conditions: foundation, floor panel, cutting check, masonry
- Check the drawing according to Engineering
- Preparatory work:
  - Check the roof and accessories scope of delivery with parts list/drawing from the confirmation of the order
  - Unpack the scope of delivery
  - Check it for damage
  - Start installation
  - The enclosed assembly instructions must be observed for assembly.

### Recommended installation material (not in scope of delivery)

- Approved fixings must be used to fix the roof to the wall and ground, which can bear the acting loads
- Fixings for glazing elements
- Glazing blocks, silicone, sealing glue, Kompri-Band, films, filler cord, insulation material, PU foam
- Weather protection angle bracket above the wall bracket
- Spacers for shimming glazing elements onto the floor

### In case of complaints

If something appears to have not been carried out to your satisfaction:

- Take a photo of the package concerned (if possible, a digital photo).
- Make a detailed note of the causes, e.g. the actual dimensions of the supplied package. Our technicians can then compare the dimension with the target dimension to quickly establish the causes.
- Make a detailed note of the target dimension you would have expected. Our technicians can often draw important conclusions from this and give you more tips
- Please immediately contact the weinor office.

### Innovative glass support system

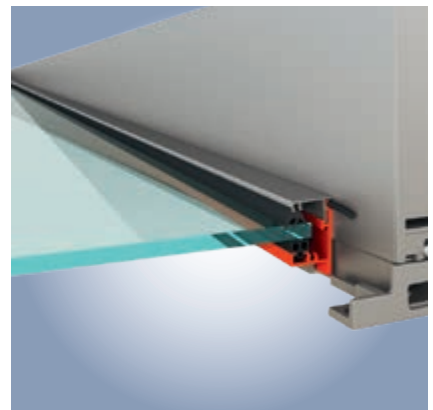


#### Glass support system from weinor

weinor developed the unique glass support system especially for Terrazza Pure. The supported glass support system forms a slope inside the straight roof support. This ensures the reliable drainage of water over the emergency drainage gutter and at the same time provides the cubic look.



The glass support profiles are continuously supported flush in a groove over the entire length of the roof support. This produces maximum resilience that can also be calculated structurally.

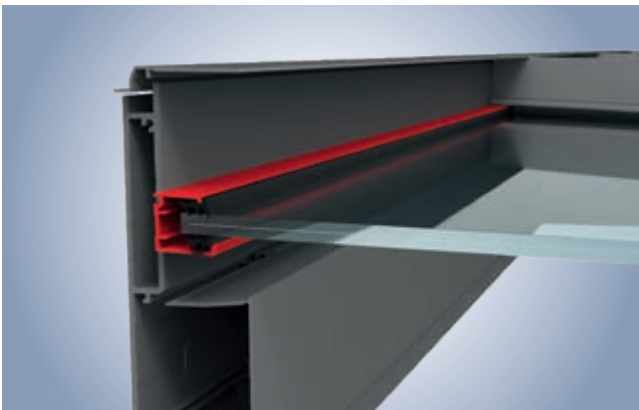
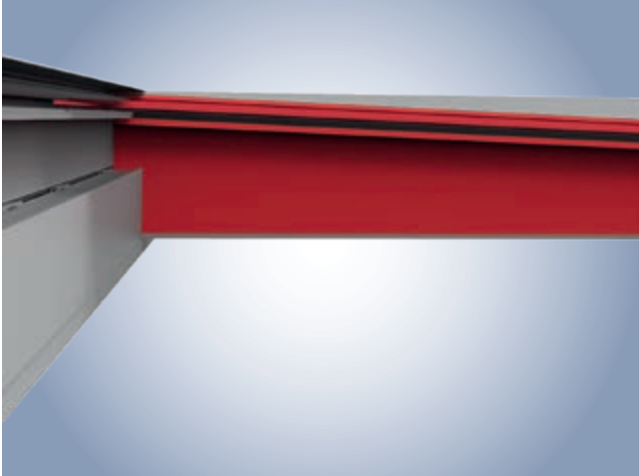




## Innovative glass support system

### Glass slope

For the glass slope in a straight roof support the glass support profile is mounted with a fixed pitch depending on the roof pitch.

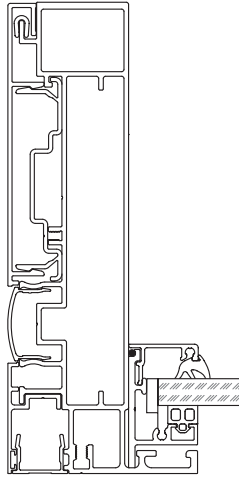


The glass support on the wall bracket varies due to the permanently fixed glass pitch. The glass is lower with a low roof depth. The glass is higher with a large roof depth. The bar for the glass support is pre-drilled and bolted to fit the wall bracket when the roof is mounted.



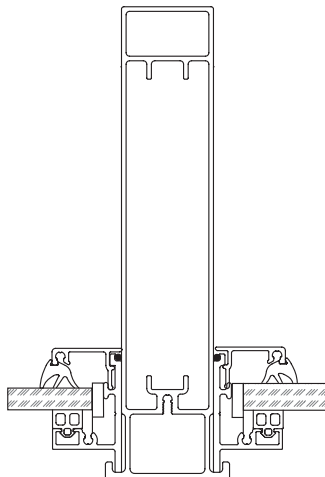
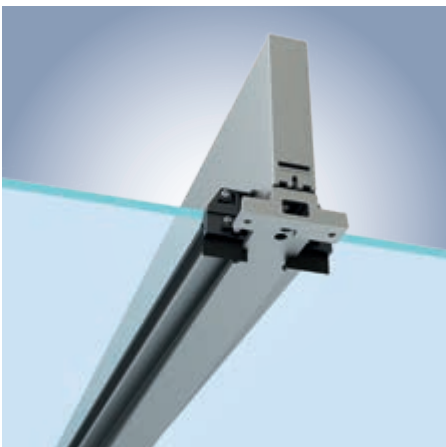
## Standard version

### Side roof support



The side roof supports are fitted with decorative strips in the system colour as standard.

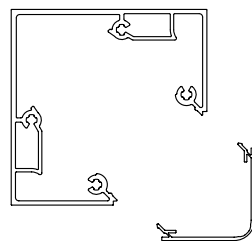
### Centre roof support



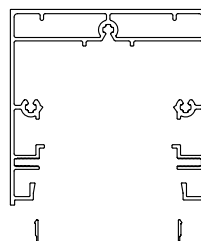
The centre roof supports are supplied without decorative strips or colour LED strips from below as standard and are designed as closed roof supports.

### Posts

The Terrazza Pure posts are designed with a continuous post faceplate as standard.



Outside post



Centre post / wall

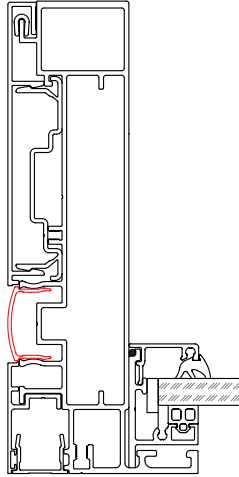






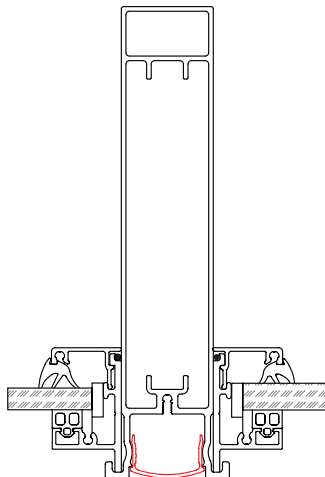
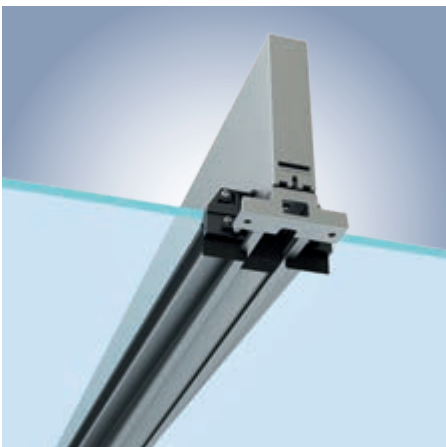
## Decorative strips

### Side roof support



The side roof supports can be fitted with decorative strips on the outside as an option. Coloured decorative strips are always fitted in both side roof supports. Exception: there is a continuous wall on the side.

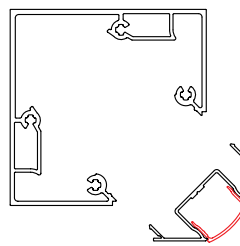
### Centre roof support, underside



The centre roof supports can be fitted with decorative strips from underneath as an option. Coloured decorative strips can be chosen individually for each of the centre roof supports.

### Posts

The posts can be fitted with coloured decorative strips outside in pairs as an option. Middle/wall posts cannot be designed with decorative strips.



Outside post



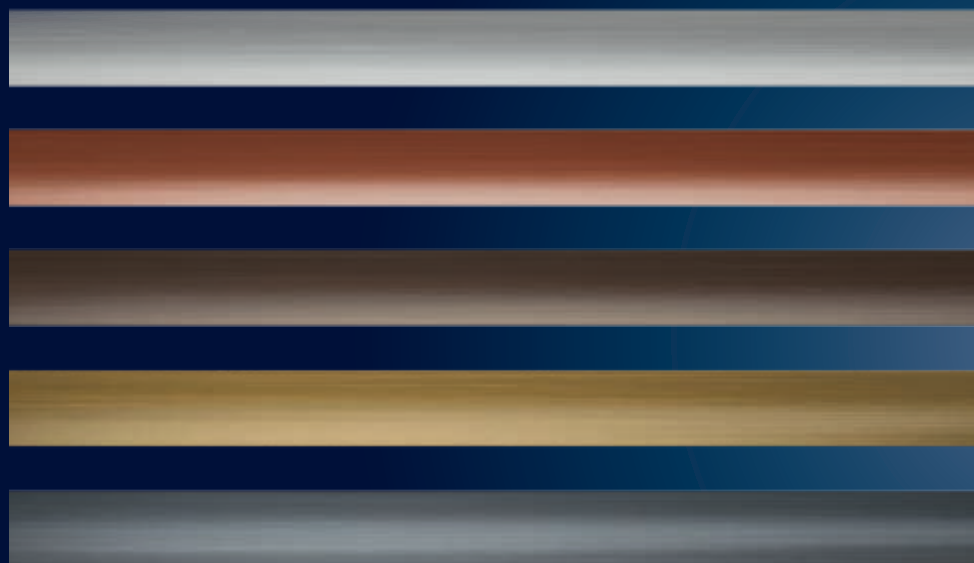
## Terrazza Pure – exclusive decorative strips



With the 5 decorative strips (silver aluminium, copper aluminium, brown aluminium, brass aluminium and anthracite aluminium) you can offer your customers a personalised solution . The anodised aluminium material gives your Terrazza Pure an elegant look.

The decorative strips can be integrated:

- Across the entire length of the posts' outsides
- On the underside of the centre roof support
- Sideways on the outer roof supports



Silver aluminium

Copper aluminium

Brown aluminium

Brass aluminium

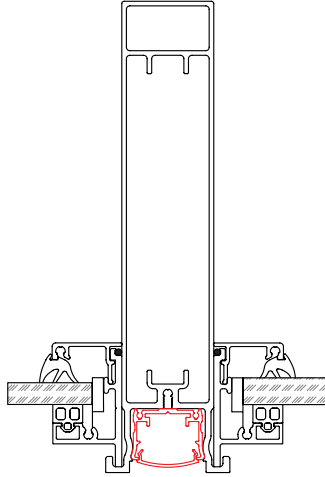
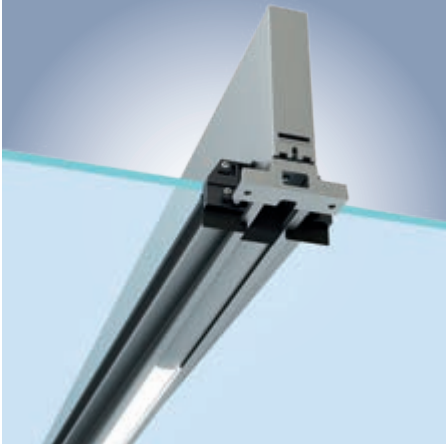
Anthracite aluminium

Just one decorative colour can be chosen depending on the roof, it is not possible to combine colours

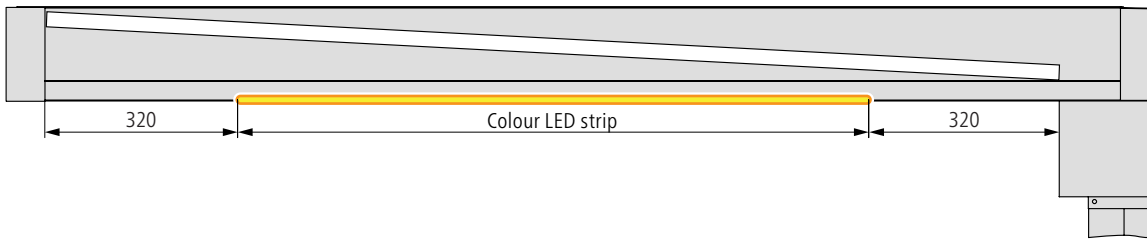


**Colour LED strip lighting**

**Centre roof support**

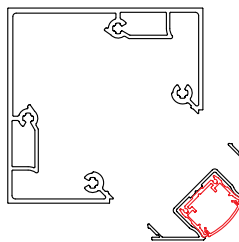


The centre roof supports can be fitted with high-quality colour LED strips outside as an option. The colour decorative strips can be chosen individually for each of the centre roof supports. The length is based on the roof depth. Lighting is not possible in side roof supports.



**Posts**

The posts can be fitted with high-quality colour LED strips outside as an option. They are always fitted outside in both posts.



Outside posts

Colour LED strip  
1,600 mm at top

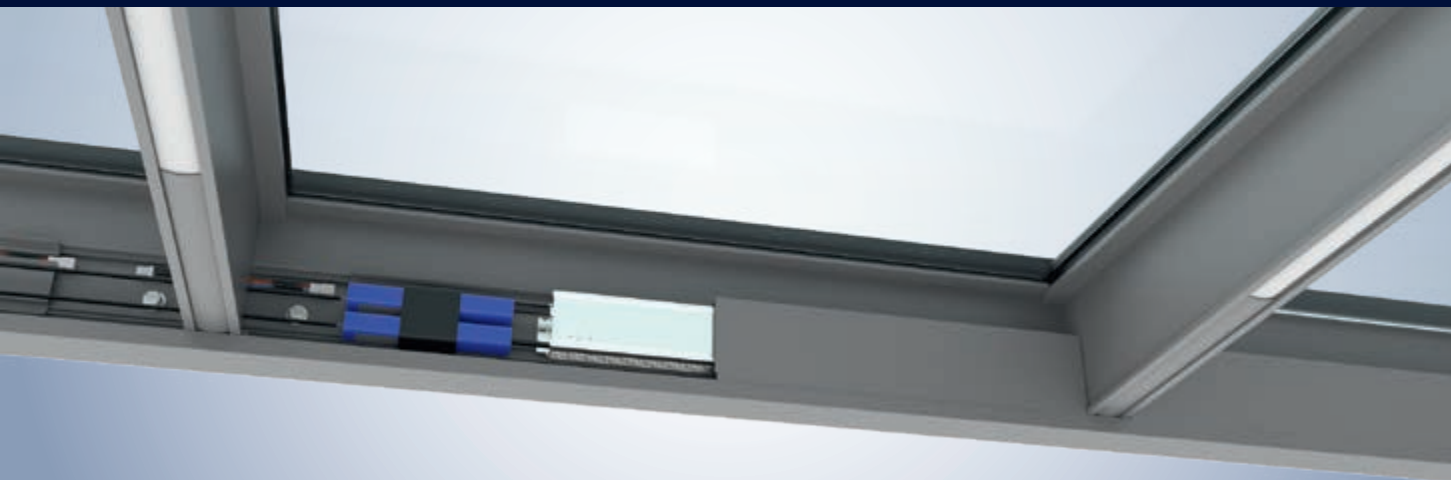
Colour LED strip  
400 mm below

Min.  
300 mm



**Note:**  
If a middle/wall post has to be used (e.g. with a lateral wall) or outside posts are indented, they do not have lighting. The colour LED strips are always the same length for both posts. Drainage through the post always has to be out of the post underneath the lighting. The colour LED strip has to be at least 300 mm above the drainage or water level. The guttering height must be stated with the order (PA dimension).

## Controls for colour LED strips



BiRec RGB radio control with 48 V power supply pack integrated in wall bracket

### Controls

The required electronics and controls are located in the wall bracket. They are installed using Plug&Play, the ready to plug in cabling is already fitted in the roof.



Wall bracket with plenty of space for electronics and cabling with faceplate. Quick access to the electrical installation is possible at any time thanks to the removable faceplate.

### The BiConnect controls for colour LED strips are available in 2 versions

	Lighting in	Controls	Hand transmitter	Output	Circuit
BiConnect	Centre roof support	BiRec RGB 48 V with 48 V power supply pack	BiEasy 15M Go!	max. for 30 metres colour LED strip RGB	all roof supports synchronous (up to 30 metres)
BiConnect	400/1,600 post	BiRec RGB	BiEasy 15M Go!	max. 2 posts with lighting RGB	both posts synchronous
Somfy io	Centre roof support	Lighting Receiver Variation io 12V/24V RGBW (dimnable)	Situo 5 Variation A/M io Pure II	max. for 15 metres colour LED strip RGBW*	all roof supports synchronous (up to 15 metres)
Somfy io	400/1,600 post	Lighting Receiver Variation io 12V/24V RGBW (dimnable)	Situo 5 Variation A/M io Pure II	max. 2 posts with lighting RGBW	both posts synchronous

All roof supports are controlled together (colour/brightness).  
Both posts are controlled together (colour/brightness).

\* > 15 metres, second control unit necessary

#### Note:

If several controls are operated at the same time using one dispatcher channel, this may lead to unsynchronised actions (power-on/colour adjustment/dimming) for technical reasons.



BiEasy 15M Go!  
hand transmitter

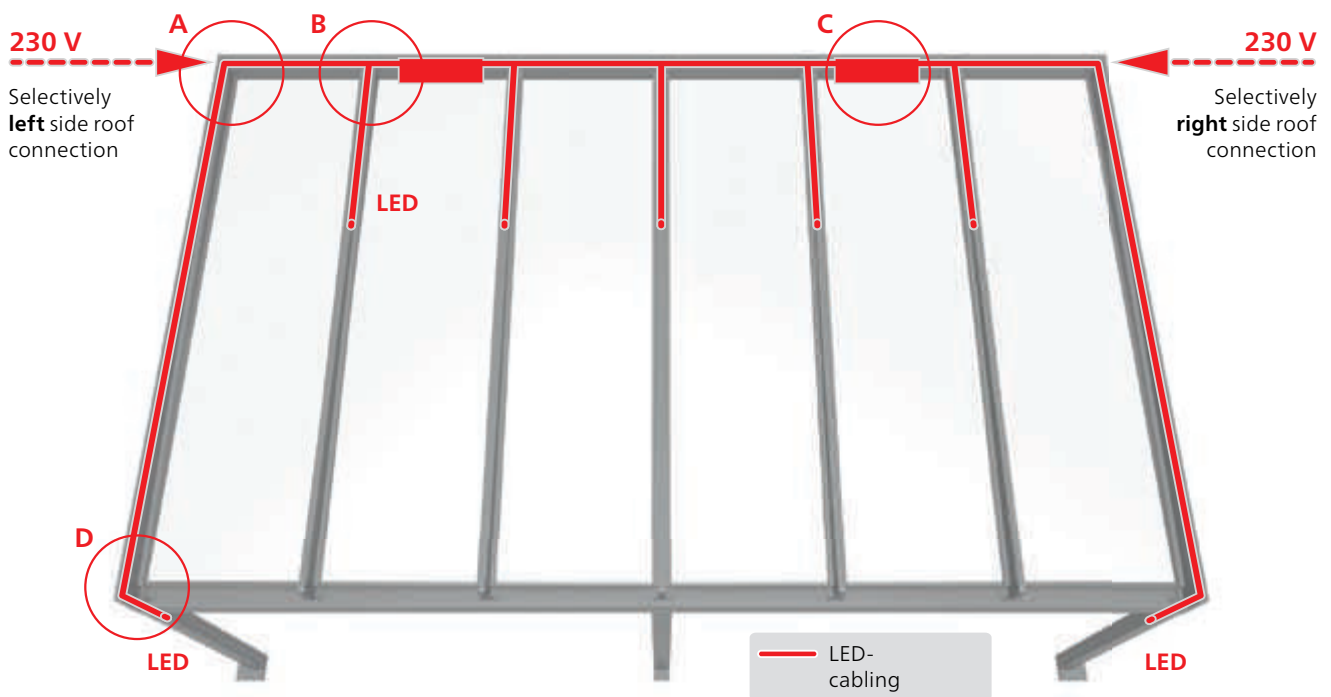
Situo 5 Variation A/M io  
Pure II hand transmitter

## Cabling concept

### LED connector

For integrated color LED lighting, the cabling is integrated in the components – weatherproof, protected from sight and optimally prepared at the factory. This guarantees a pleasing appearance and a safe installation. Here are the details of the controls and connectors shown.

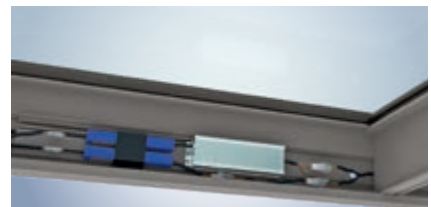
Connection option	Connection points	Version
LED in roof support	preassembled cable harness behind the WAP faceplate	plug connector pre-assembled at factory and routed in the profiles
LED in post	preassembled cable harness behind the WAP faceplate, through the side roof support into the post	plug connector pre-assembled at factory and routed in the profiles



**A** Cabling LED at the outer roof support



**B** Cabling LED at the middle roof support



**C** Wall connection with transformer and pre-assembled plug-in controls for LED color strips



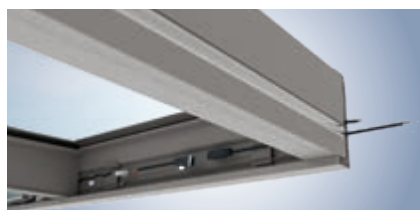
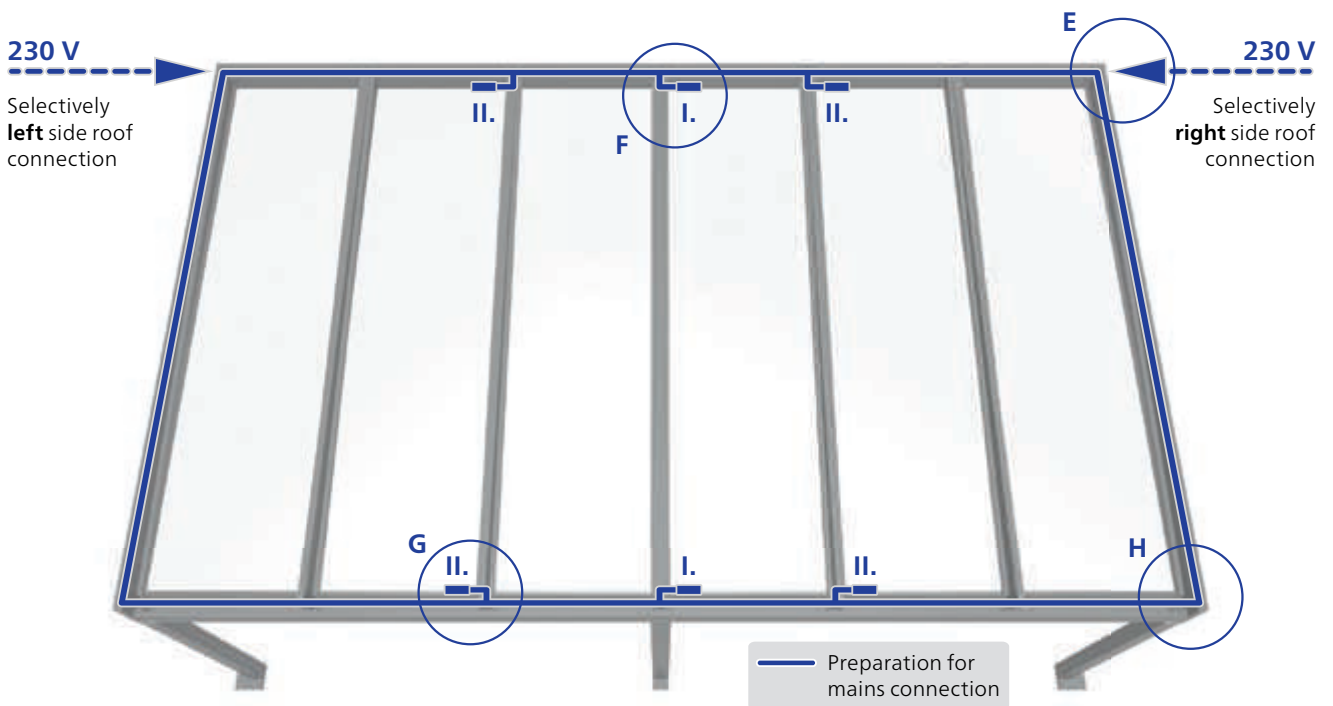
**D** Cabling LED at the roof support and post

## Cabling concept

### Preparations for the mains connection of optional electricity consumers on the guttering and wall bracket

The power supply for optional electric components (e.g. a Tempura Quadra) is supplied on site using the E-Box in the in the guttering or on the wall bracket. The connecting lead is simply routed through the side roof support when mounting the roof.

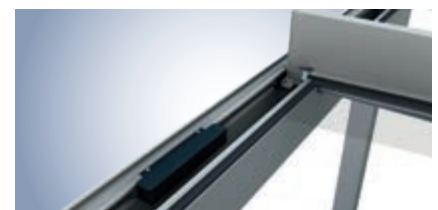
Connection option	Connection points	Version
I. Preparation for mains connection 2	centre of guttering, one electricals box center of wall bracket, behind the WAP faceplate	Per connection a 3 x 1,5 mm <sup>2</sup> rubberline with Hirschmann coupling, cabling routing during roof installation
II. Preparation for mains connection 4	guttering divided into three wall bracket divided into three	Per connection a 3 x 1,5 mm <sup>2</sup> rubberline with Hirschmann coupling, cabling routing during roof installation



**E** Main connection 230V either on the left or right (on the example on the right)



**F** Preparation for mains connection on wall bracket e.g. for Tempura Quadra



**G** Preparation for mains connection with E-box in the guttering e.g. for Tempura Quadra



**H** Side roof support open for easy cable laying up to the gutter



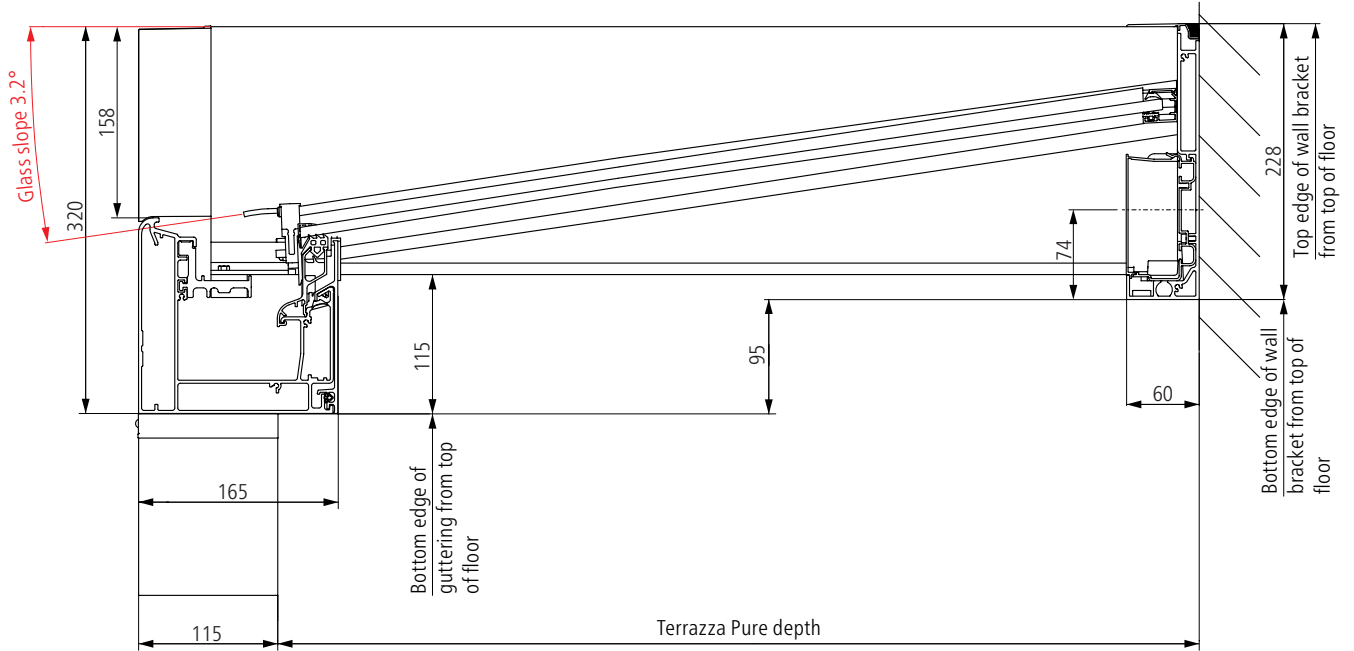




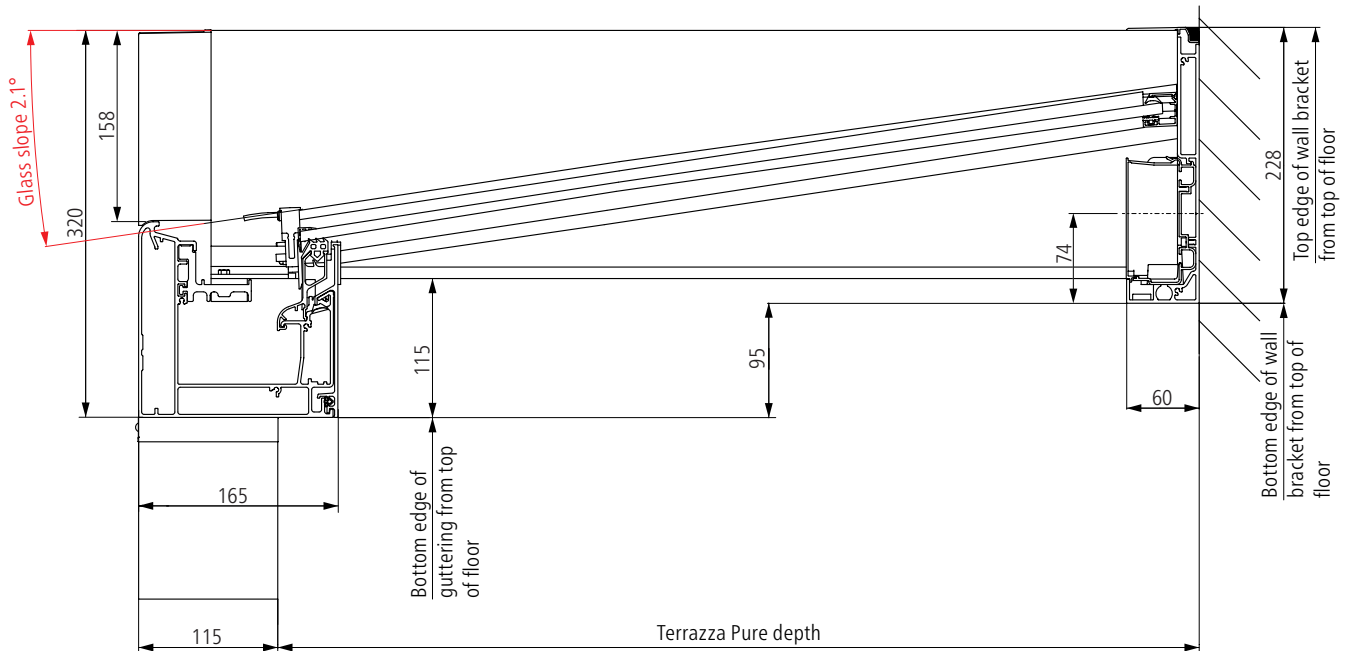
# Terrazza Pure Planning

## Cross-sections and dimensions

Terrazza Pure (roof depth 1,600 mm to 2,599 mm)



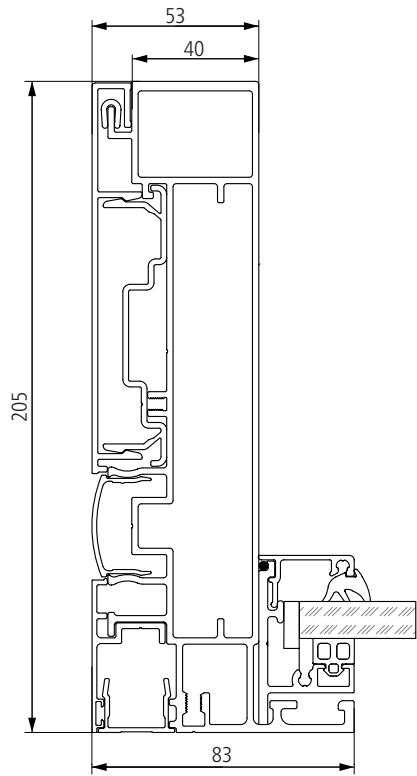
Terrazza Pure (roof depth 2,600 mm to 4,000 mm)



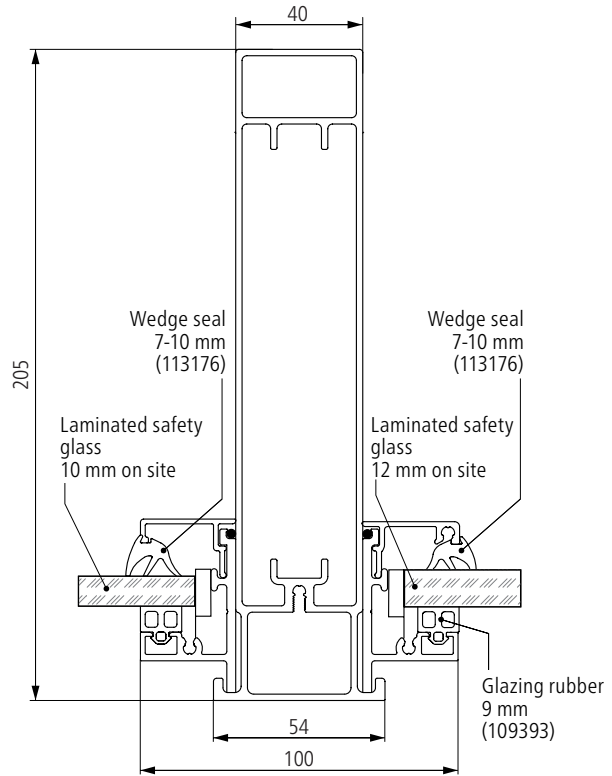
Figures are in mm

Cross-sections and dimensions

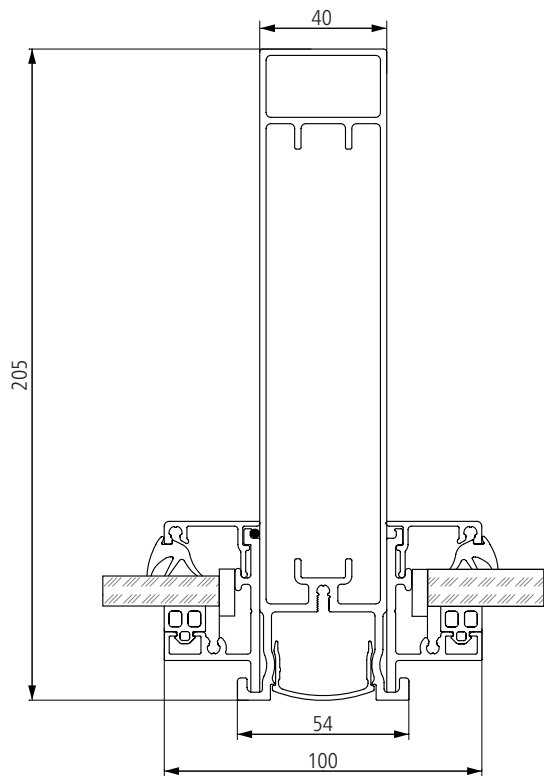
Roof support profiles



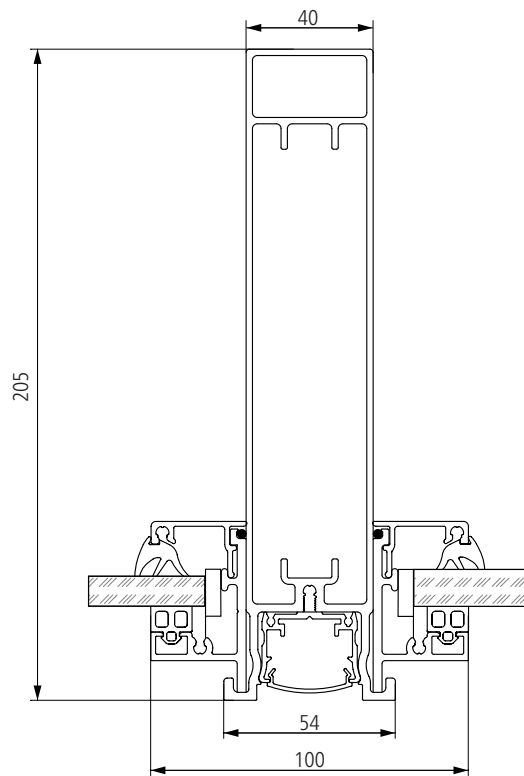
Side roof support (left/right)



Standard centre roof support



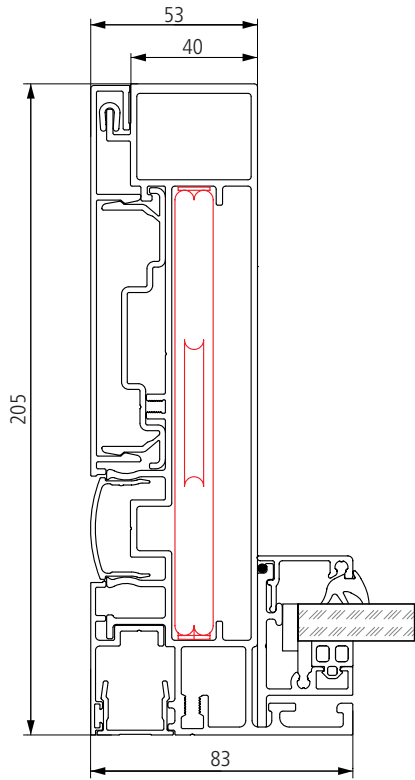
Centre roof support with decorative strip



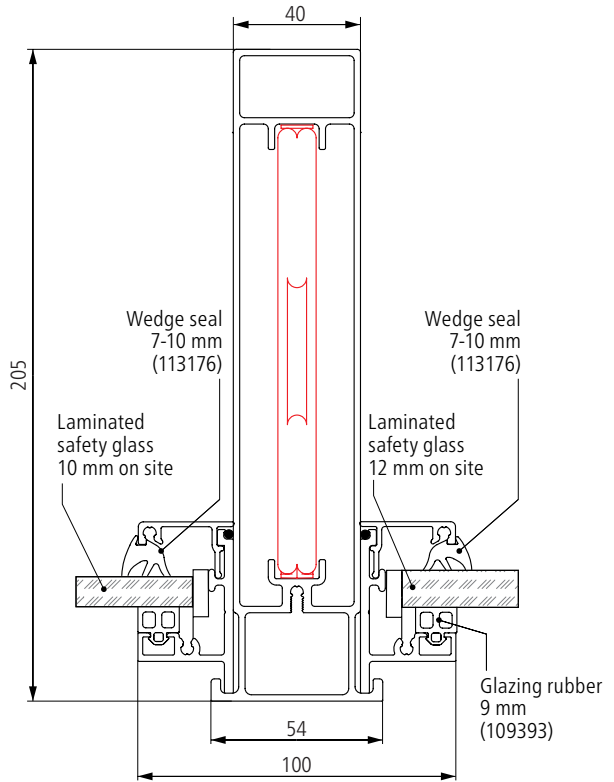
Centre roof support with colour LED strip

Cross-sections and dimensions

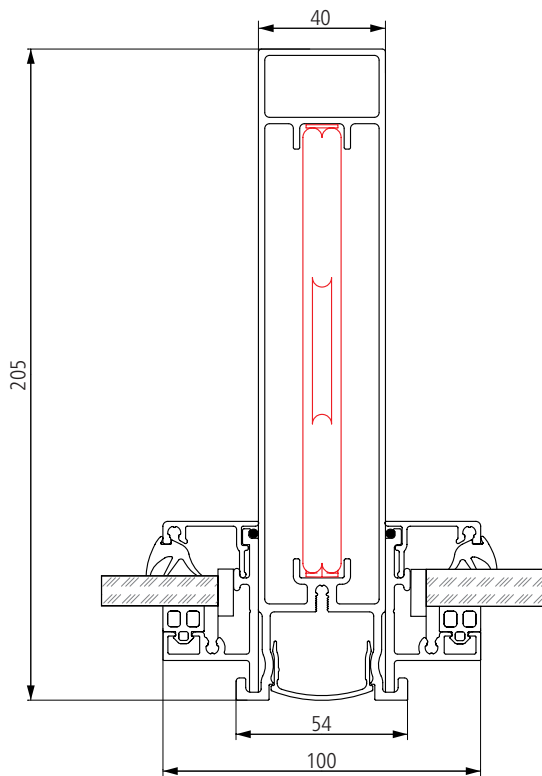
Roof support profiles with optional 140 mm steel reinforcement bar



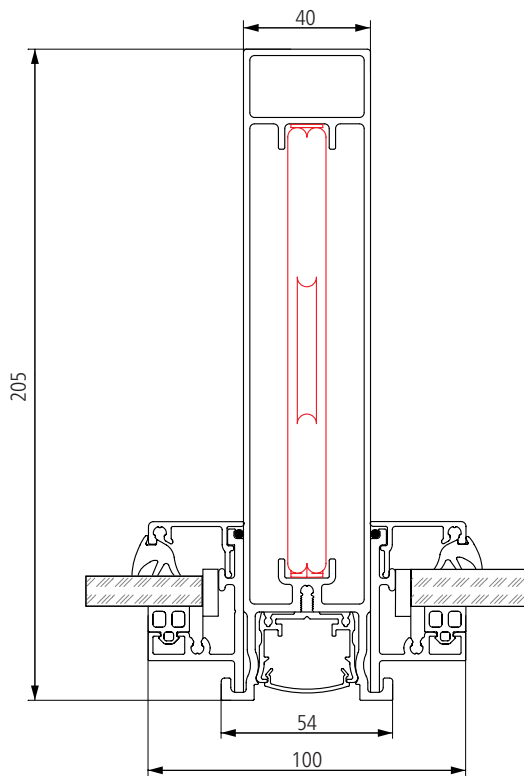
Side roof support (left/right)



Standard centre roof support



Centre roof support with decorative strip



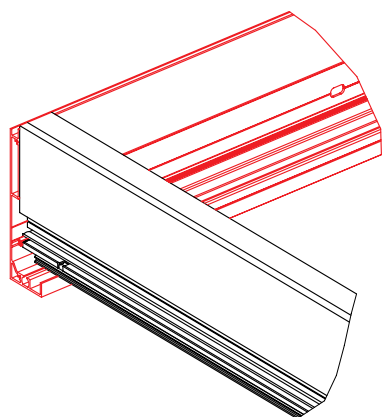
Centre roof support with colour LED strip

# Terrazza Pure Planning

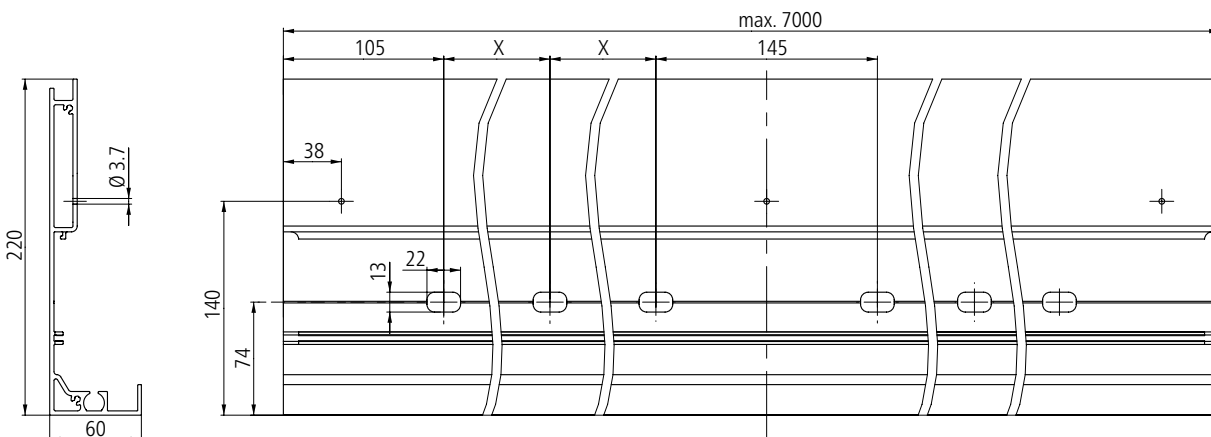
## Cross-sections and dimensions



The Terrazza Pure is installed to a wall using the wall connection profile. On the one hand, the wall connection profile is used for the comfortable, visually appealing and stable installation of the Terrazza Pure. On the other hand, the wall gap sealing profile is the installation location for the remote receiver, the power supply pack (LED option) and other electric components which are installed there so that they are invisible, but can be still accessed easily for servicing.

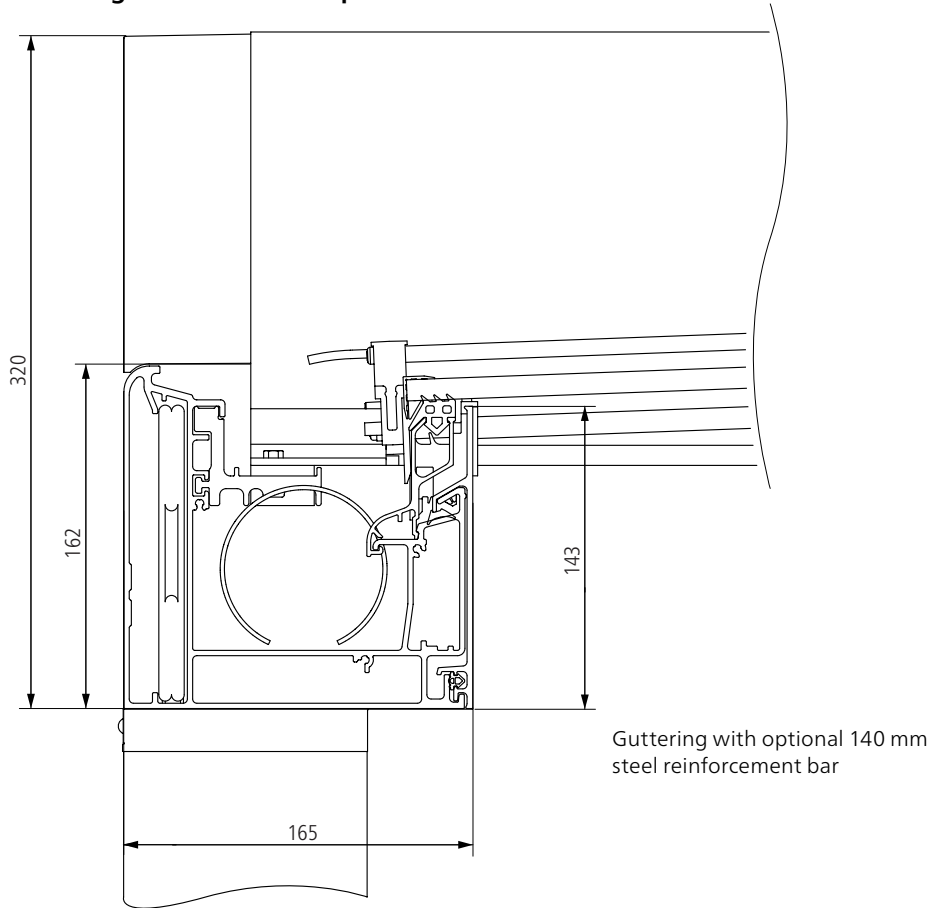


Installation of the Terrazza Pure on the wall using the continuous wall connection profile.



Cross-sections and dimensions

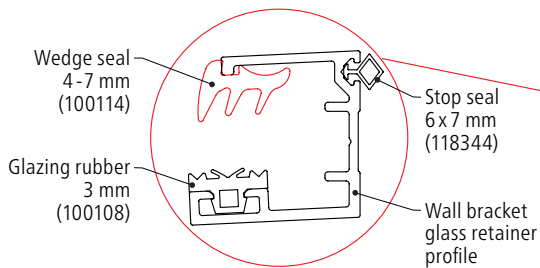
Guttering and wall bracket profiles



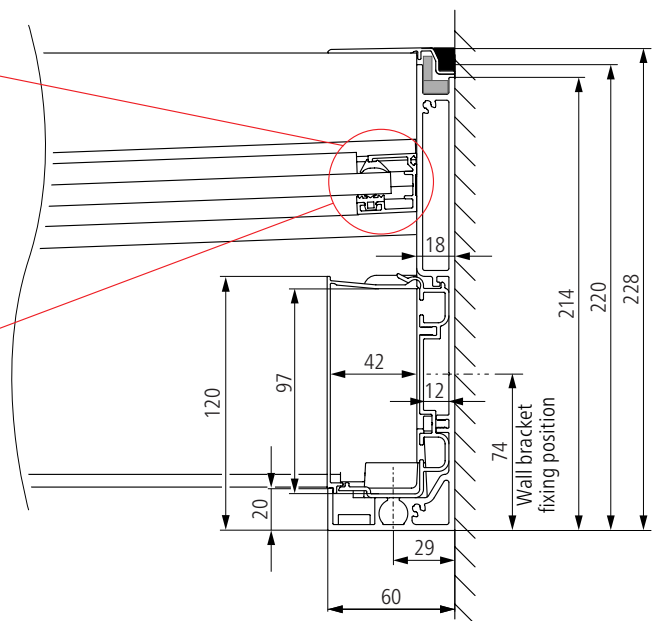
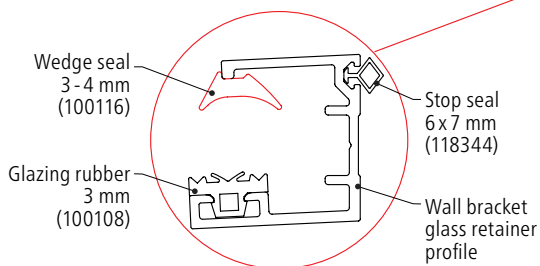
Guttering with optional 140 mm steel reinforcement bar

Wedge seals for glass mounting 10 mm wall connection laminated safety glass

Wall bracket



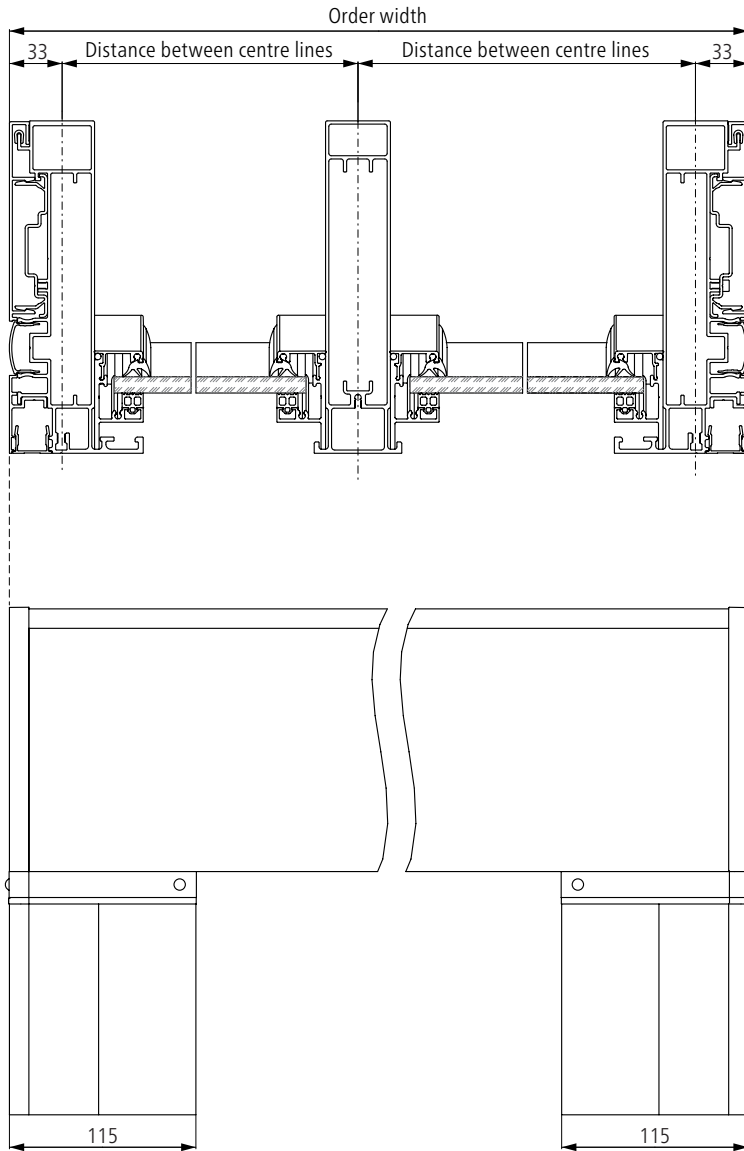
Wedge seals for glass mounting 12 mm wall connection laminated safety glass



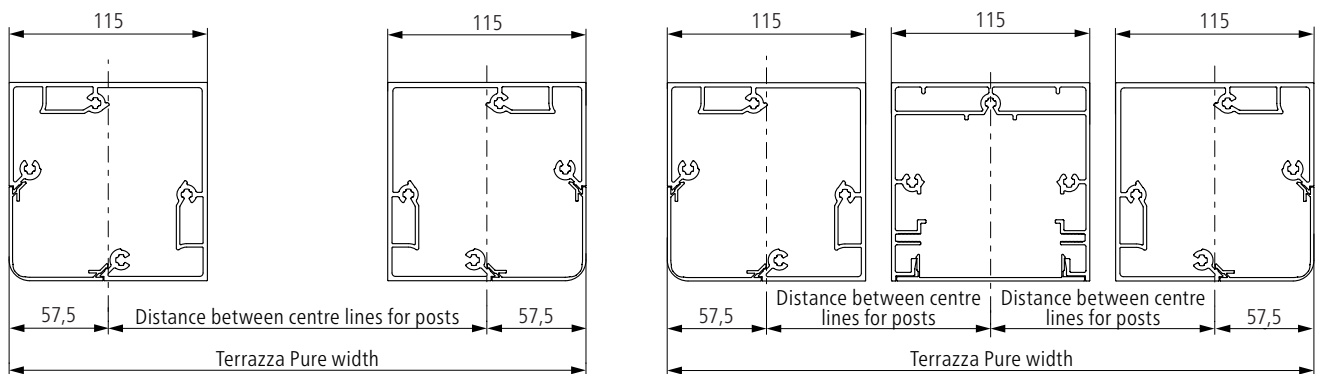


## Cross-sections and dimensions

### Free-standing (standard)

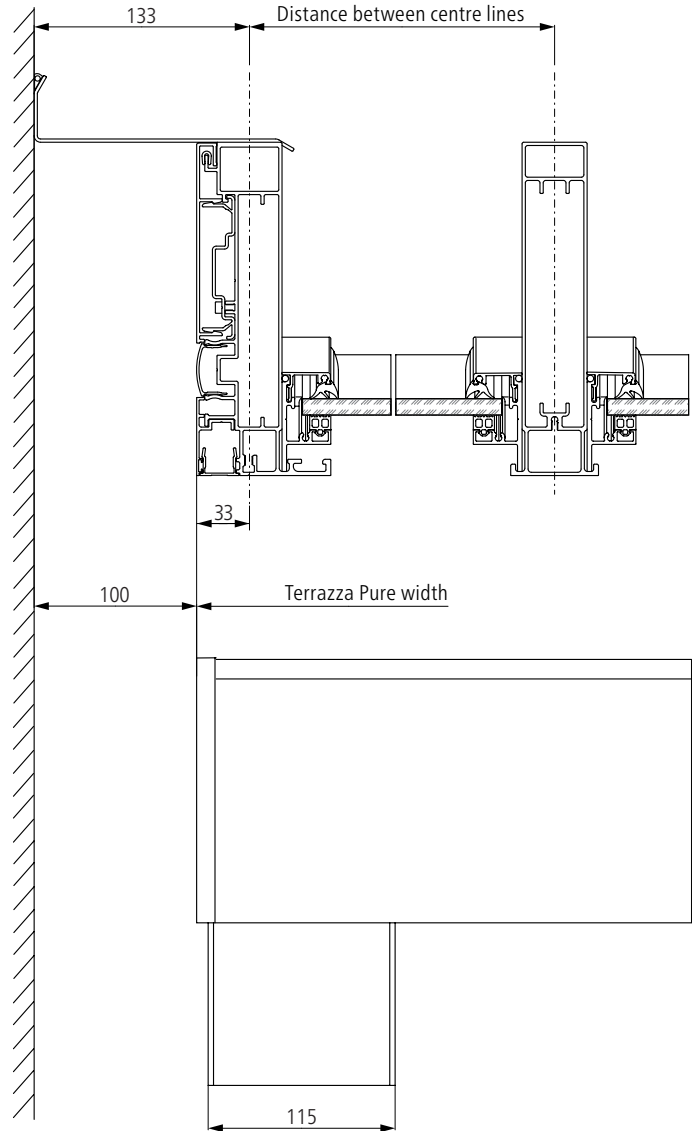
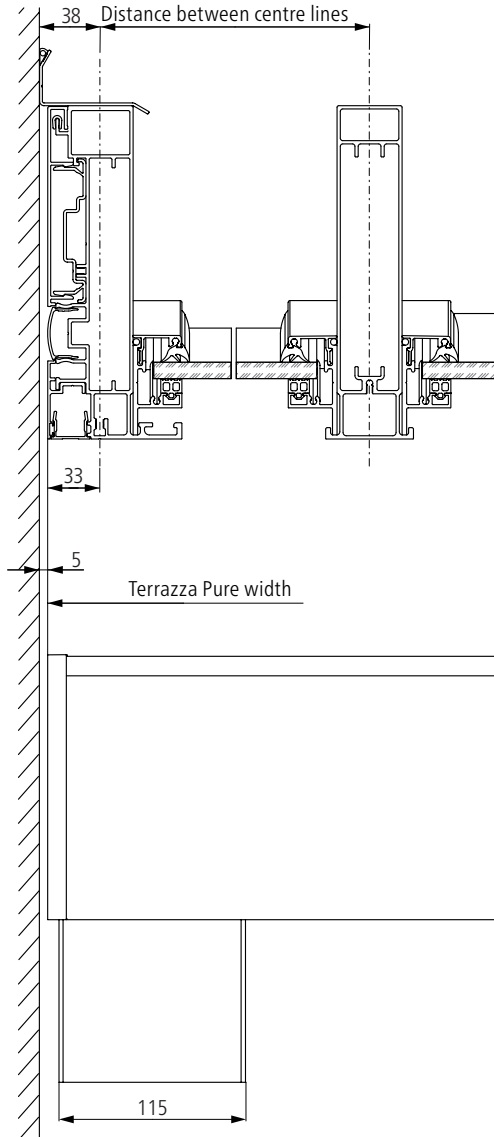


Gutter and post position, free-standing

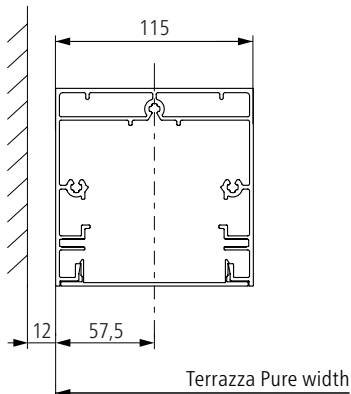


Cross-sections and dimensions

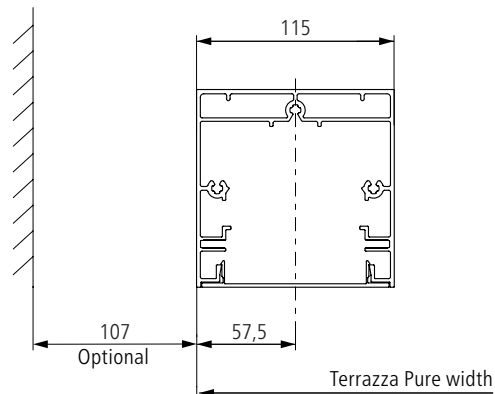
Lateral wall connection – continuous 5 mm or 100 mm (option)



Gutter and post position on a lateral wall – wall offset 5 mm



Gutter and post position on a lateral wall – wall offset 100 mm

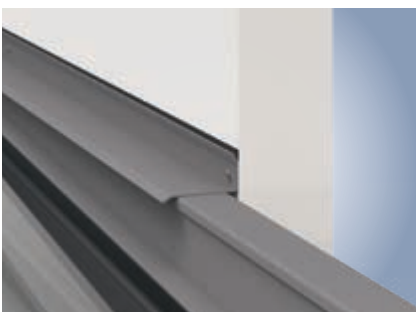


The appearance and technology of the side roof support can change with a partial wall connection. Please ask for availability.

## Terrazza Pure Planning

### Partial side wall connection

For an ideal installation, there is a new roof support cover panel for the Terrazza Pure with partial side wall connection. This enables easier installation for an even more rainproof side wall connection. For this requirement a 115 x 50 mm frame widening profile is always required under the roof beam. This gives the side view a linear and compact look. Technical advantage: It is possible to install or retrofit glazing elements or VertiTex II at any time.



#### Clean finish

An ideal transition to the wall with the wall connection strip

#### 115 x 50 frame widener

For more stability and easy retrofitting of glazing elements or VertiTex II



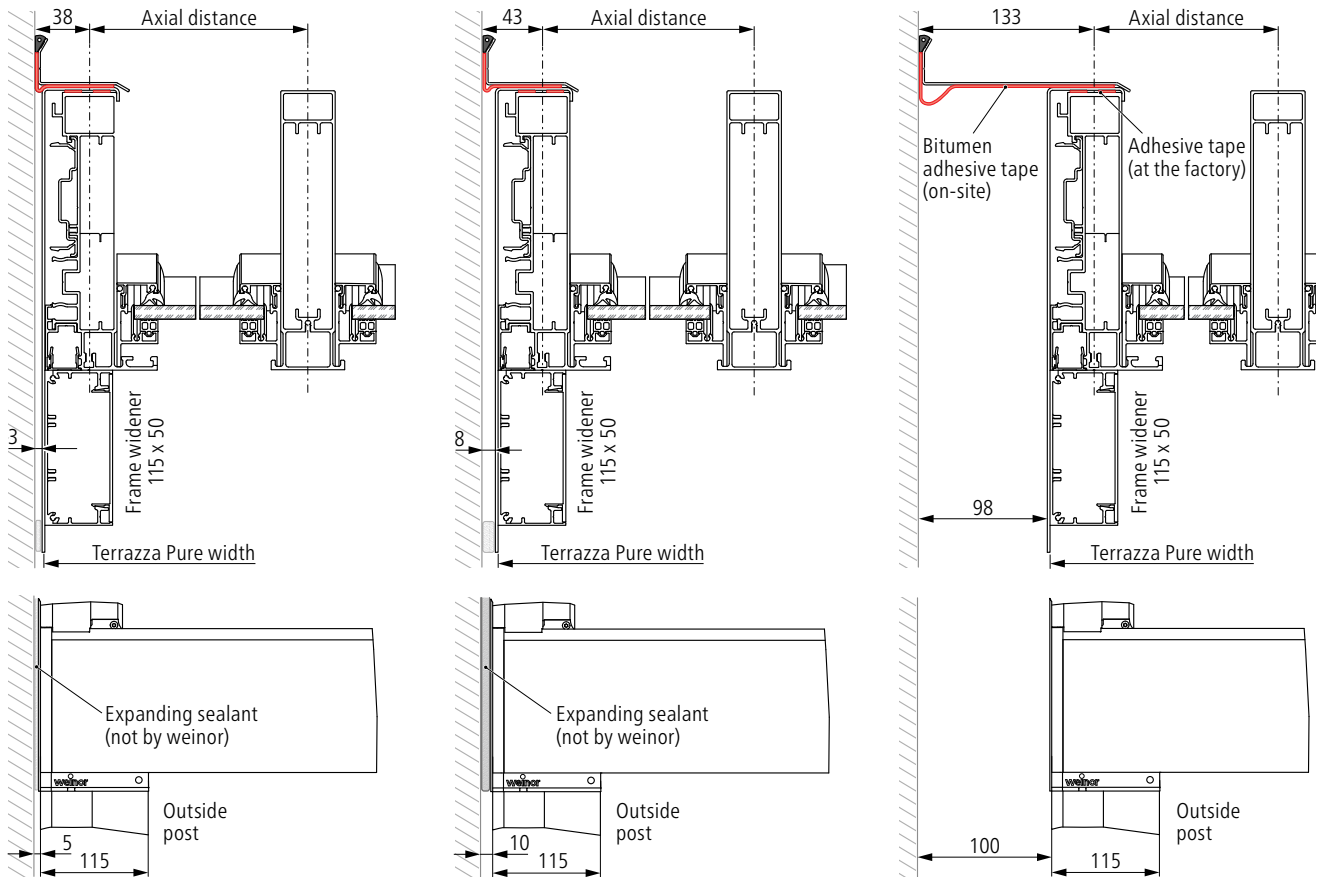
#### Note:

Please note the different look to the standard roof support. The decorative strip is also not required on the side with partial wall connection. Point this out to your customers, if this look is important to them.

## Partial side wall connection

### Cross-sections and dimensions

#### 5 mm, 10 mm and 100 mm partial side wall connection

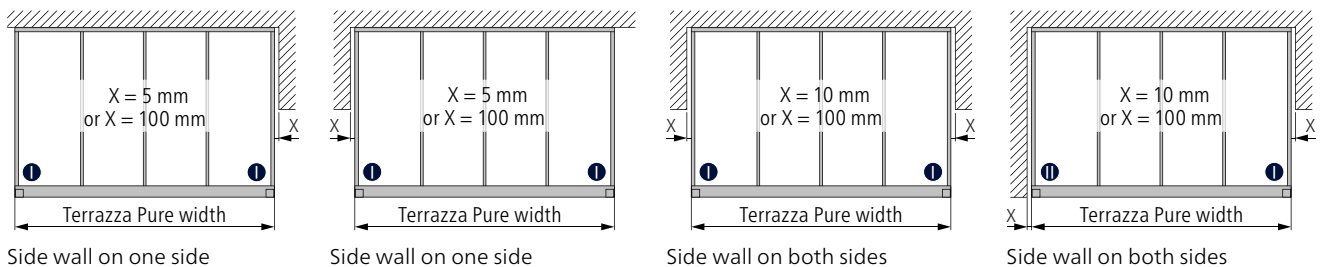


Gutter and post position on a partial side wall – wall offset 5 mm

Gutter and post position on a partial side wall – wall offset 10 mm

Gutter and post position on a partial side wall – wall offset 100 mm

### Examples of side wall distance



- ❶ None on side or partial wall with outside post
- ❷ Continuous side wall with centre/wall post

#### Notes: Distance and sealing to the side wall

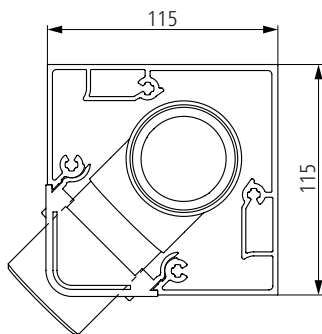
- Due to thermal expansion, a distance of 10 mm must be maintained at the sides in the event of recess installation with 2 bordering walls.
- With a side wall on one side, a minimum distance of 5 mm is required.
- The seal to the side wall must be able to absorb any movement of the roof support that may bend (e.g. sealing tape). Alternatively, a support is required.

## Drainage and posts

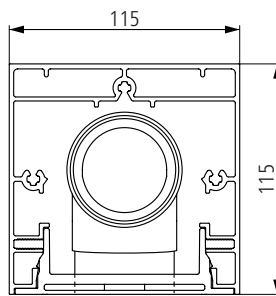
### Invisibly integrated downspout

Rainwater is discretely and systematically drained away through the integrated water drain. The downspout is invisibly integrated into one of the posts. The drain can also be fed through a post plate, if used.

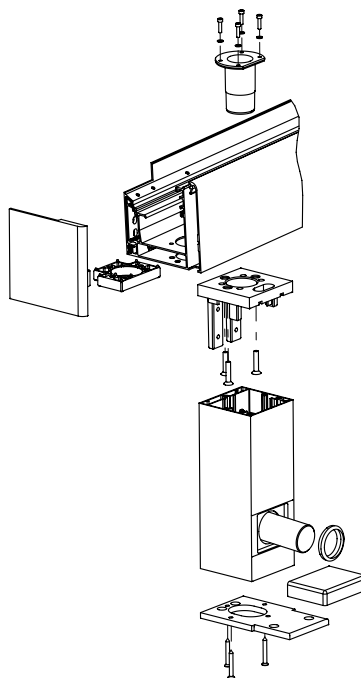
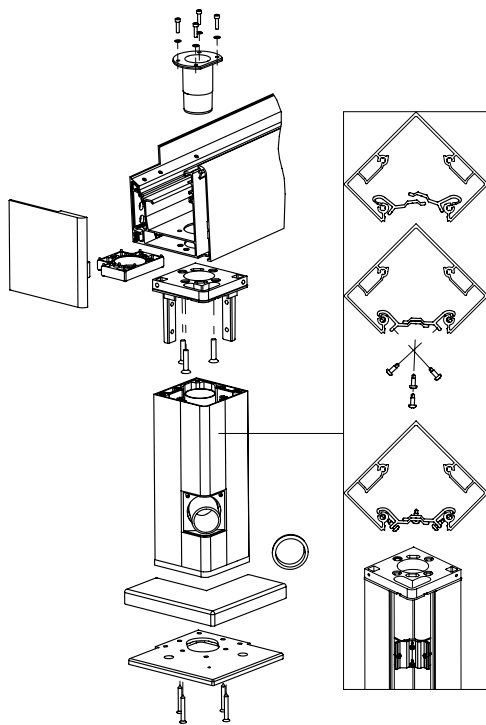
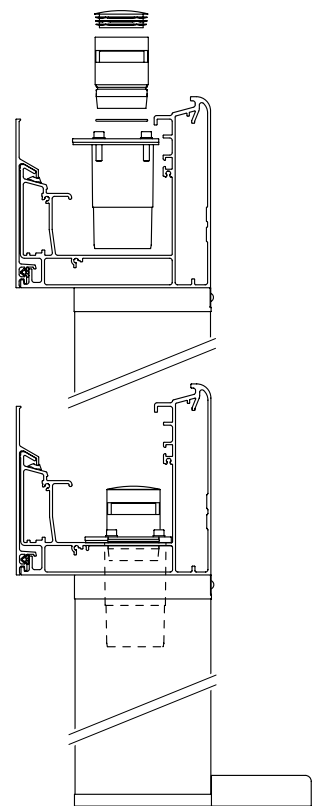
**Outside 115 post**



**115 centre/wall post**



**Overflow**



Post corner water outlet

Variable height water outlet

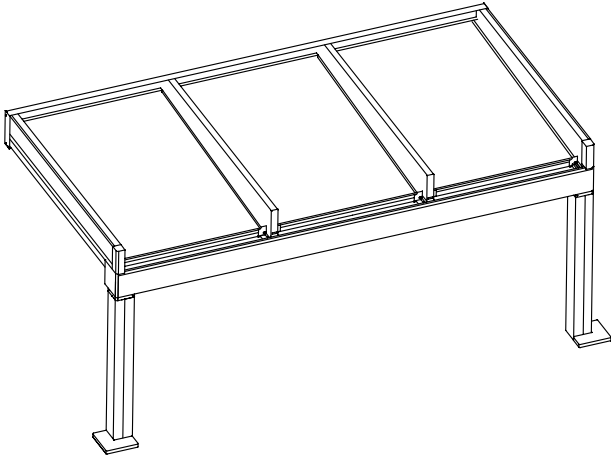
Water outlet at front

Water outlet at bottom

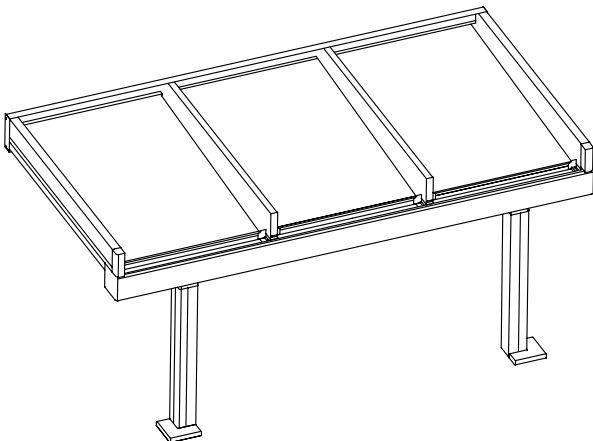


## Variable post positions

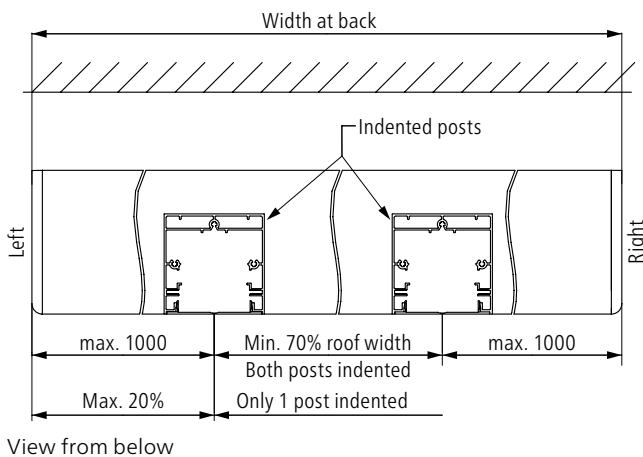
### Terrazza Pure with outside posts



### Terrazza Pure with indented posts



### Maximal indent dimension of the posts

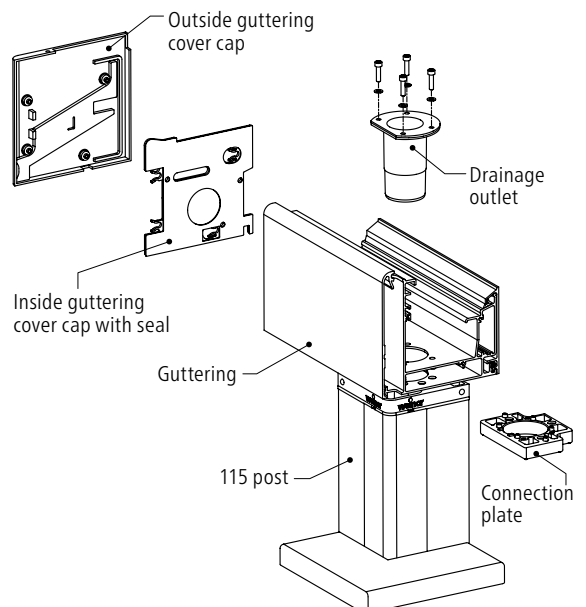


The maximum spacing between the posts can be increased via steel inserts in the guttering. **Caution:** this may increase the weight of the rain gutter. As snow loads increase, the maximum post spacings reduce accordingly.

If the outer posts are indented, the centre post can be omitted for certain roof dimensions. Additional steel reinforcement bars in the guttering or the crossbeam also permit the number of posts and spacings to be changed.

Flexible reactions to structural situations that call for the variable positioning of the posts are also possible.

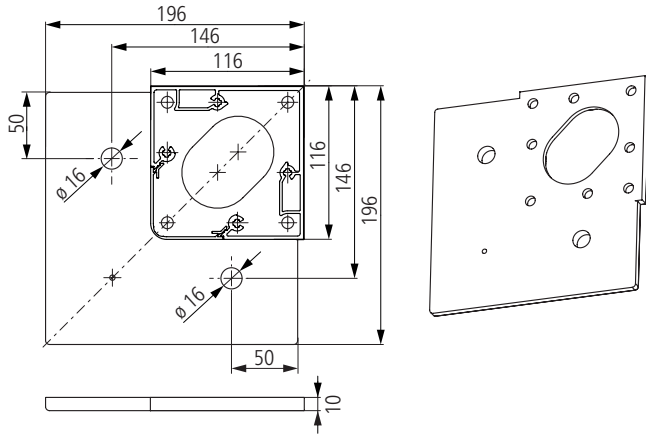
### Posts on guttering



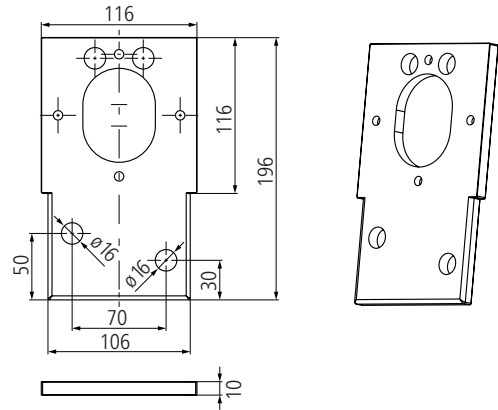


## Post fixation

### Post plate to fix to the foundation

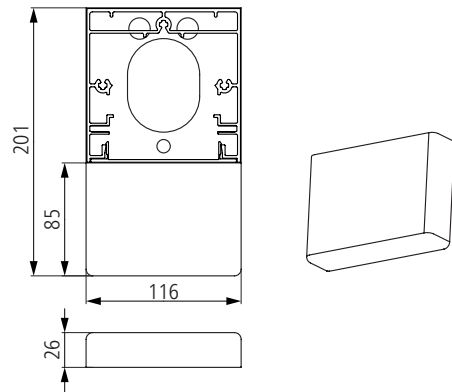
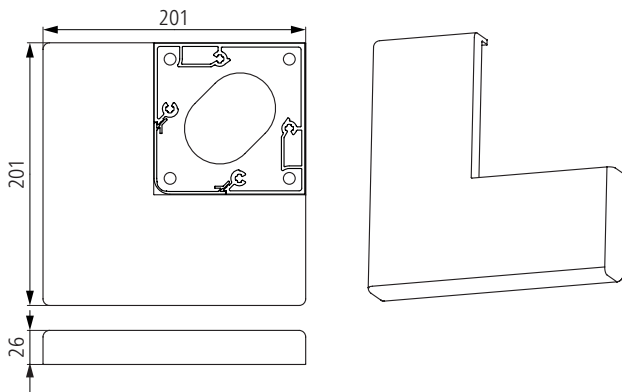


Post plate for 115 outside post

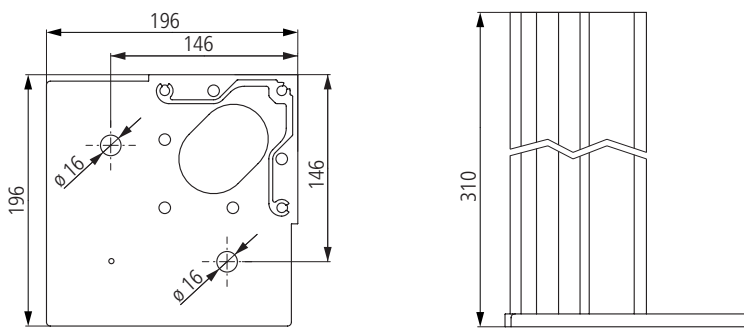


Post plate for 115 middle/wall post

### Post plate cover caps and cover for attachment screws



### Aluminium base



Aluminium base for 115 outside post  
(necessary from 3,000 mm)



**Frame widener under roof support**



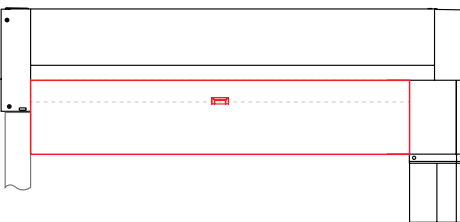
**Frame widener under side roof support**

A frame widener is used under the side roof supports for the sideways installation of glazing elements or a VertiTex II so that the glazing elements can be positioned ideally. The frame widener under the roof support forms a harmonious unit in combination with glazing elements or the VertiTex II.

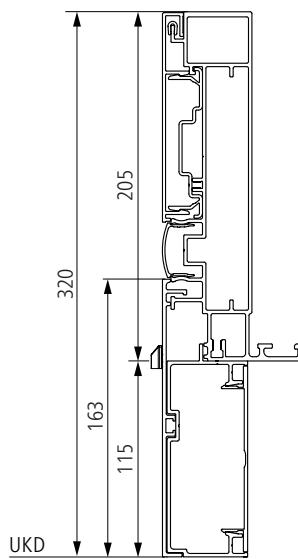
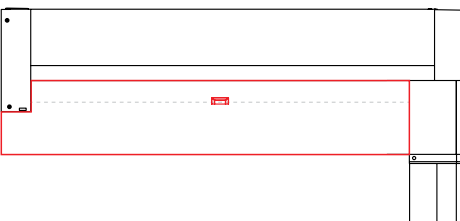
**There are two versions here:**

1. Ordered at the same time as the Terrazza Pure.
2. As retrofit version or with lateral wall connection

**Up to wall connection profile**



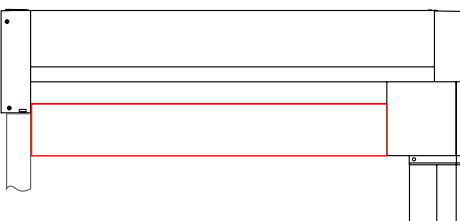
**Up to house wall**



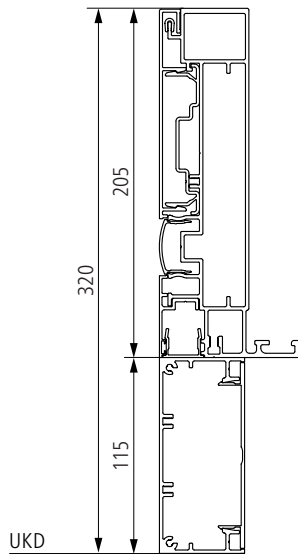
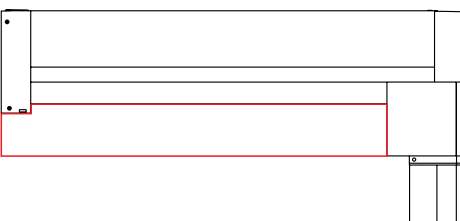
Frame widener 163 x 50 mm under roof support ordered with Terrazza Pure



**Up to wall connection profile**



**Up to house wall**



Frame widener 115 x 50 mm under roof support ordered with Terrazza Pure



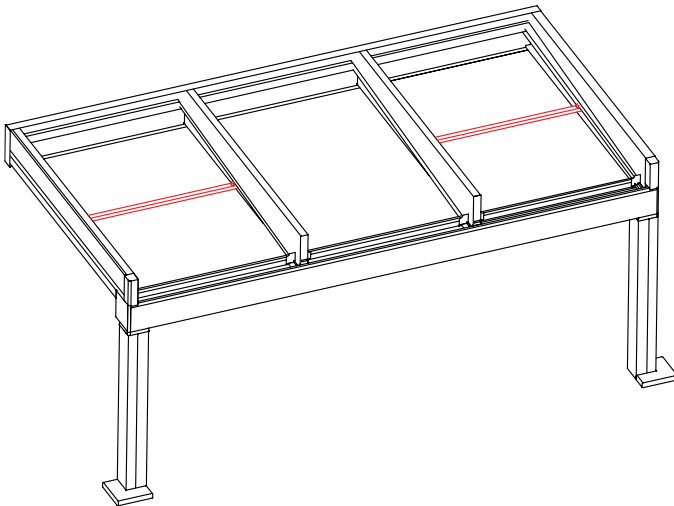
## Tension rod

### Roof tension rod

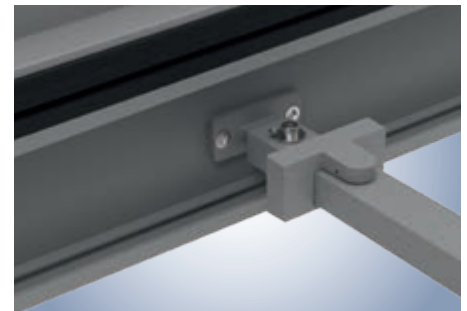
A tension rod is necessary in the outer roof panels for sufficient stability with high wind loads. A tension rod can also be designed for all roof panels, on request, for example for visual reasons. The tension rod can also be mounted over the glazing.

### Use of tension rod

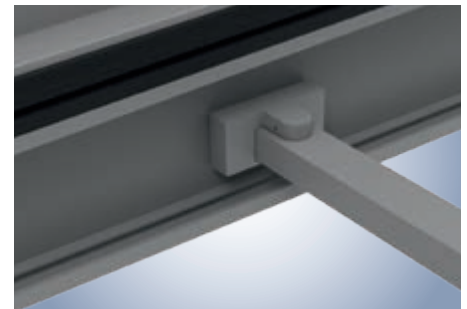
Terrazza Pure versions	Roof depth	Tension rod
Open	up to 4,000 mm	not necessary
Doubling under side roof support	from 3,501 mm	necessary
Side glazing element	from 3,001 mm	necessary



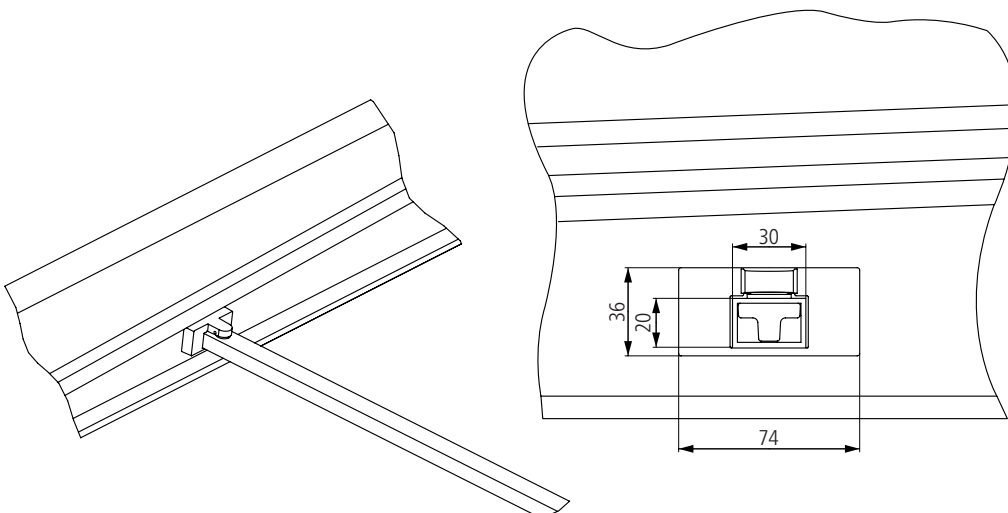
Roof support with ready-mounted tension rod



Tension rod is screwed on when roof is mounted



Invisible bolting thanks to cover

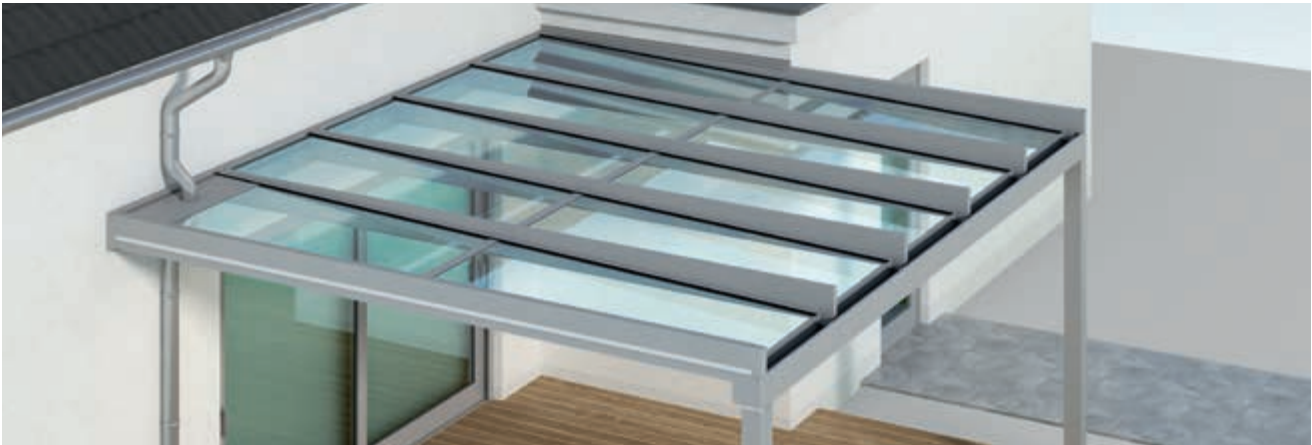




## Terrazza Pure Planning

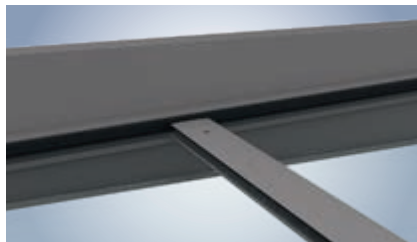
### Transoms in the roof area

The cubic Terrazza Pure glass patio roof's glazing elements can be subdivided using optional transoms. This is required if the glazing elements have to be divided due to their size or if house façade components such as rain pipes have to be fed through the roof surface. For this requirement we now offer a 300 mm deep aluminium filling panel, available in 10 mm or 12 mm thickness.



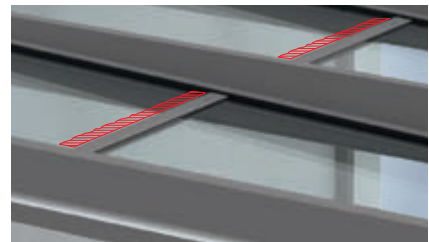
#### Downspout duct

Downspouts or suitable pipes can be led through the roof surface using a transom and aluminium filling.



#### Flexible position

The transoms can be positioned as required for each roof panel when ordering.



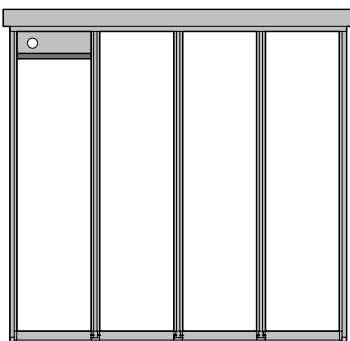
#### Glass pitch

**Please note:** Due to the low pitch of the glass, a visible dirty edge may accumulate on the glass above the transom, which leads to more cleaning work.

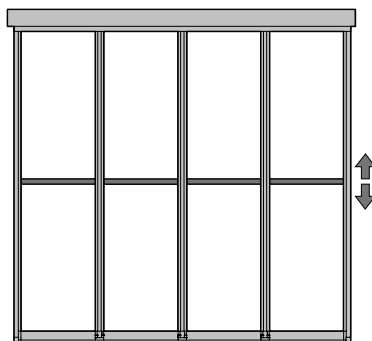
#### Possible variations (examples)

Transoms can be distributed symmetrically or mounted at any position.

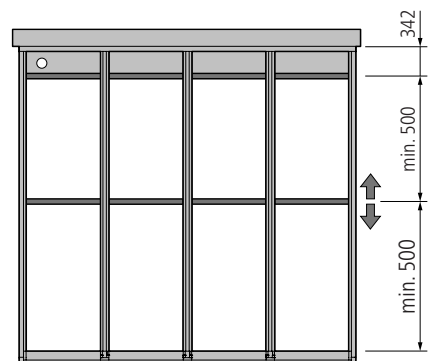
**Conditions:** When using the 300 mm deep aluminium filling, the transom distance to the house wall is 342 mm. For other minimum distances, please see the sketch below.



Aluminium filling panel against the wall connection is possible for each roof section.



Roof transoms are possible for each roof section, and can either be positioned centrally or to an individually desired position.

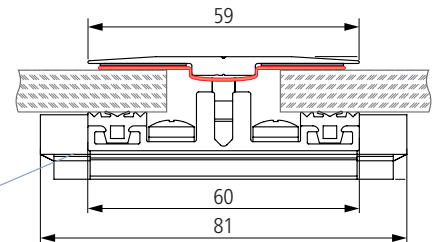
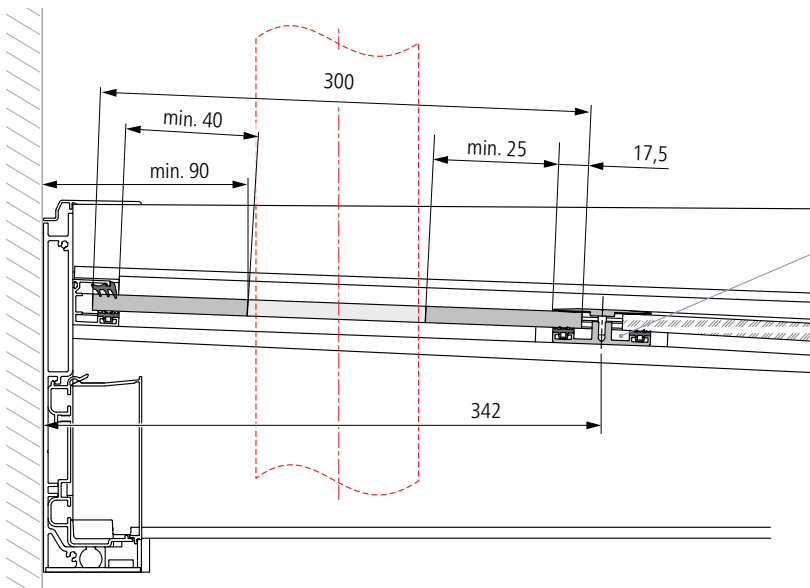


Combinations of roof transom and filling panel are possible. But there is a maximum of 2 divisions per individual roof section.

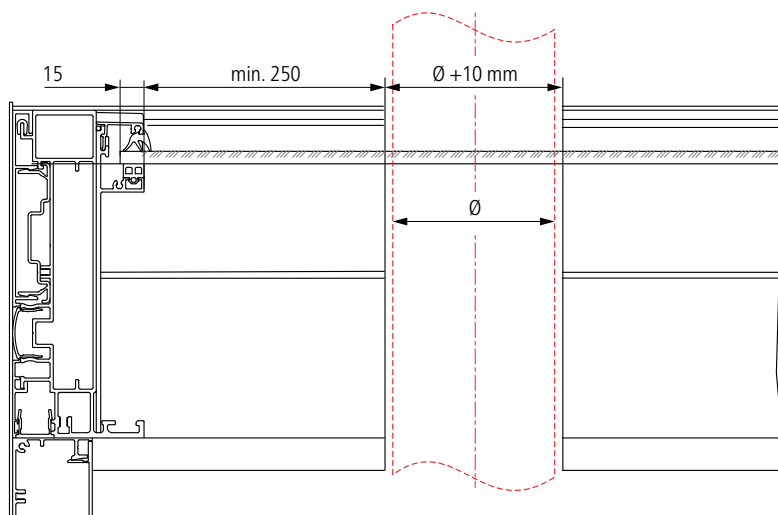
## Transoms in the roof area

### Downspout duct (cross-sections and dimensions)

Thanks to the transom in the roof, a guttering downspout or other required pipes can be ideally fed easily through the roof surface. This is made possible by using closed fillings. We now have a new 300 mm wide aluminium filling in 10 mm or 12 mm thickness.



Please observe the notes in the assembly instructions on what exactly to do for optimum sealing using the 3M 4828 universal sealing tape. When cutting out a pipe duct, be sure to use a suitable metal saw blade (e.g. Bosch T127D)!



Minimum distances and sections for positioning a downpipe through the aluminium filling.



The wall connection cover panel is divided in the middle to make it easier to insert (only in the roof panel segment with 300 mm wide aluminium filling).

#### Notes:

- Make sure the position is symmetrical when using an undermounted glazing element with transoms.
- With downspout ducts, the distance to the house wall must be adjusted for WGM Top or Sottezza Pure and Originale.





# Terrazza Pure Sun protection

## Vertical sun protection

### VertiTex II



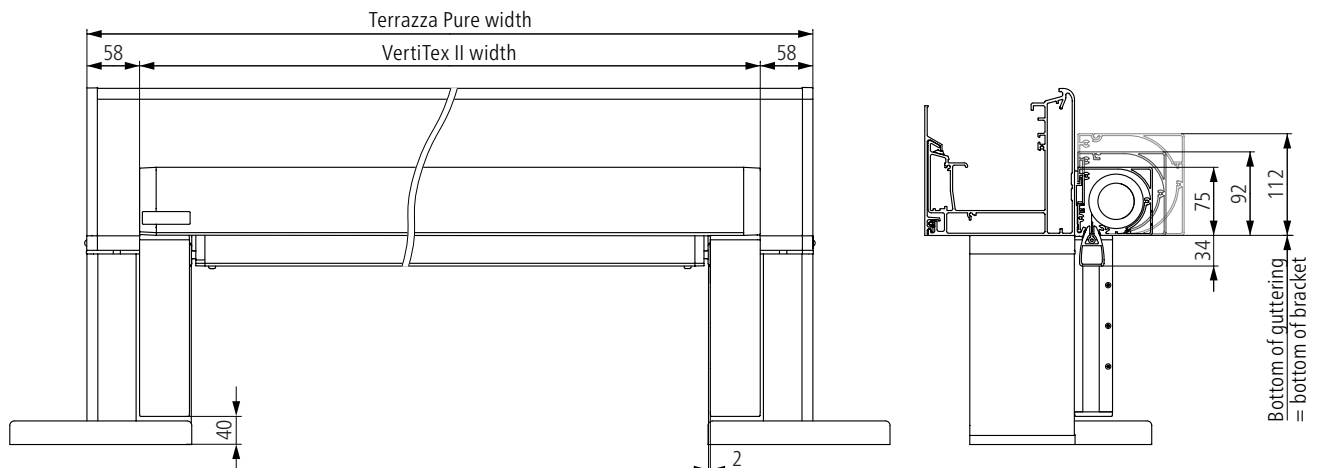
The weinor VertiTex II vertical sun protection offers perfect privacy and glare protection. In a fabric from the screens by weinor® collection, it protects against wind and allows the outside to be seen from the inside (transparent from dark to bright). Available in the following versions:

- VertiTex II rope or guide rails
- VertiTex II Zip

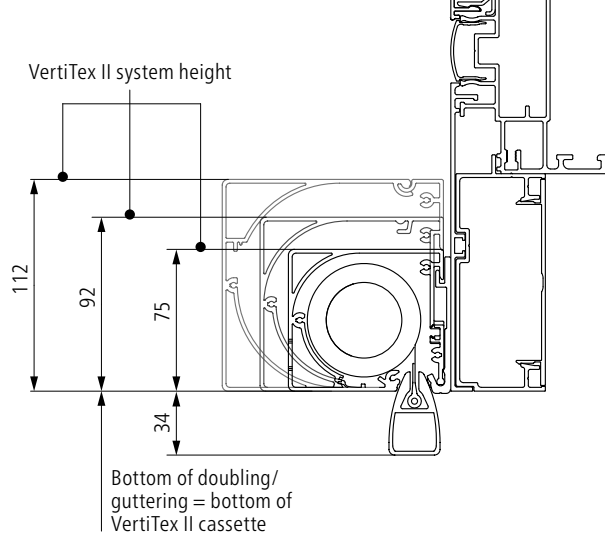
#### VertiTex II details:

- One piece suitable for large widths up to 600 cm
- Standard installation bottom of bracket = bottom of gutter

### VertiTex II Rail/Zip on Terrazza Pure



### VertiTex II Rail/Zip/Rope on frame widener under side roof support (standard)

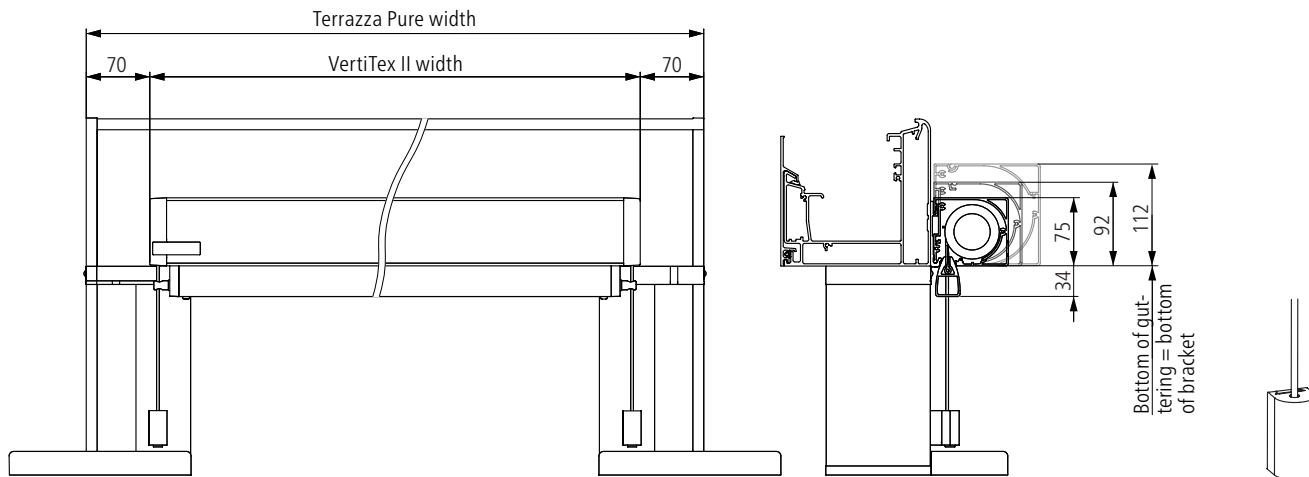


**i** Additional information can be found in the VertiTex II vertical sun protection system technical folder.

# Terrazza Pure Sun protection

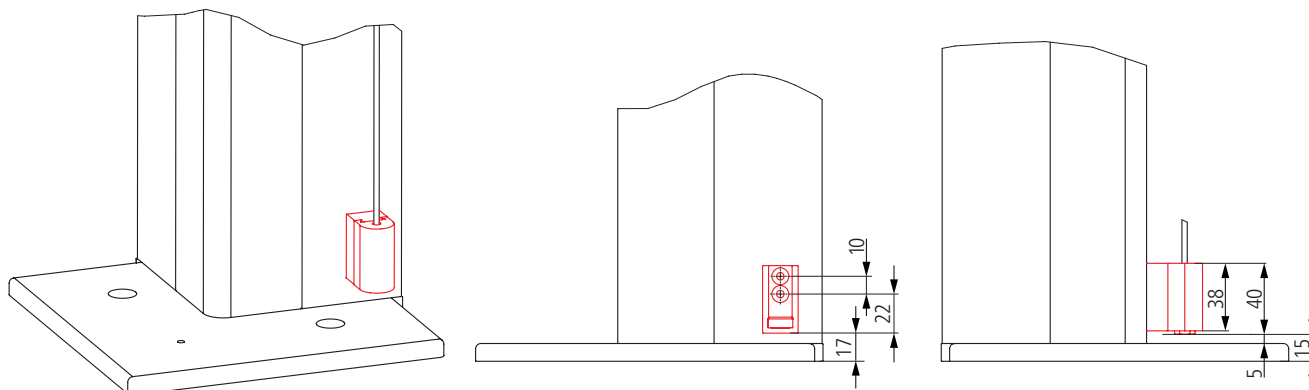
## Vertical sun protection

### VertiTex II Rope on Terrazza Pure



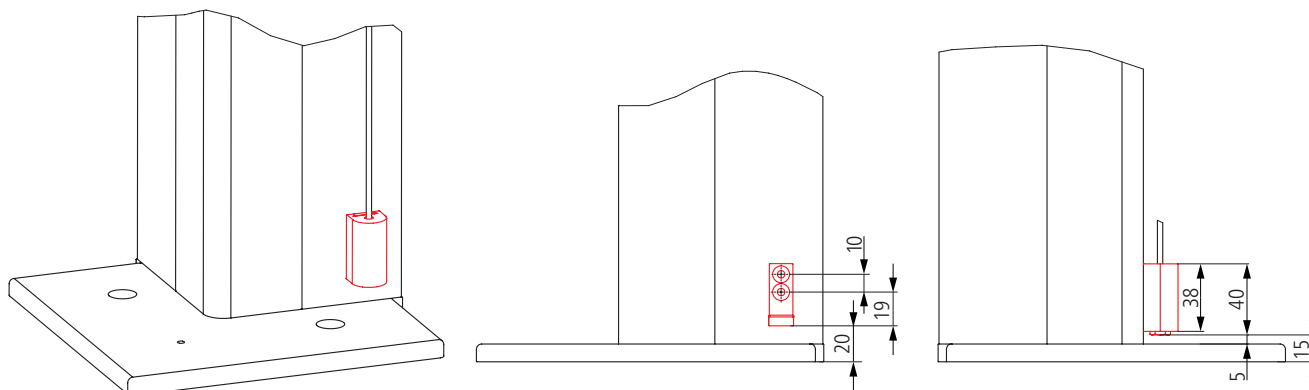
Fabric width = VertiTex II width - 104 mm ± 6 mm manufacturing tolerance

Standard 38 x 20 x 32 mm rope holder on Terrazza 115 post



115 post with 38 x 20 x 32 mm rope holder (is used with the "outside rope guide" version)

**Caution:** Only possible with rope guide next to the fabric



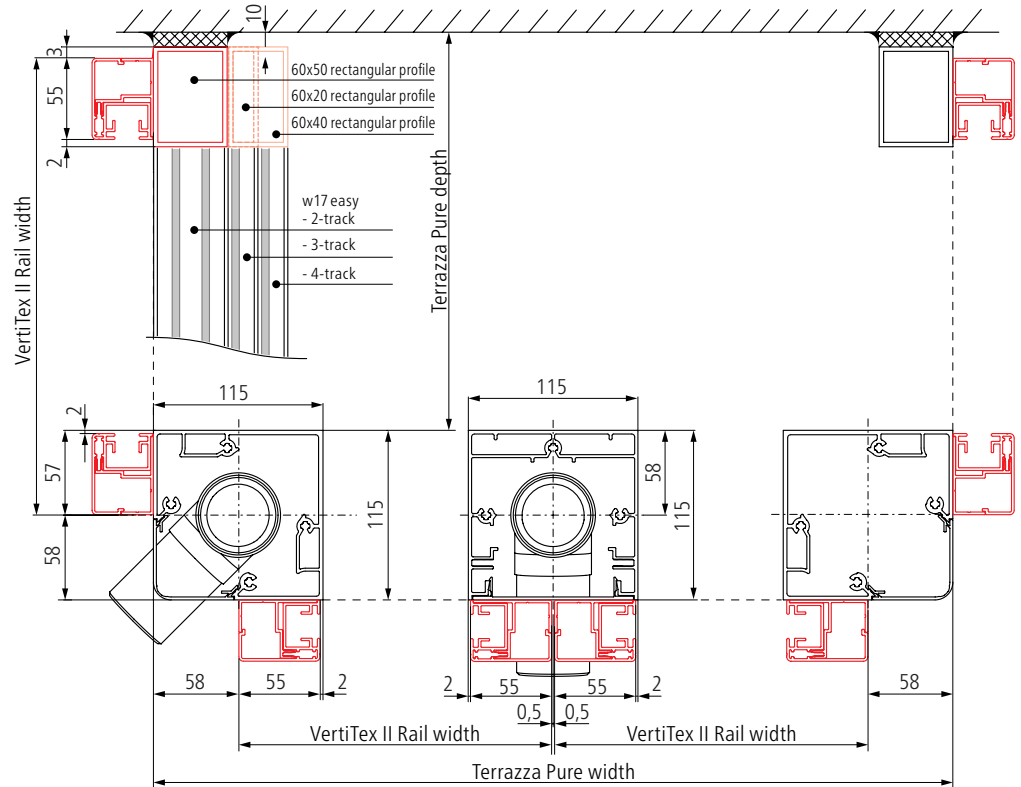
115 post with 38 x 20 x 20 mm rope holder (is used with the "indented rope" version)



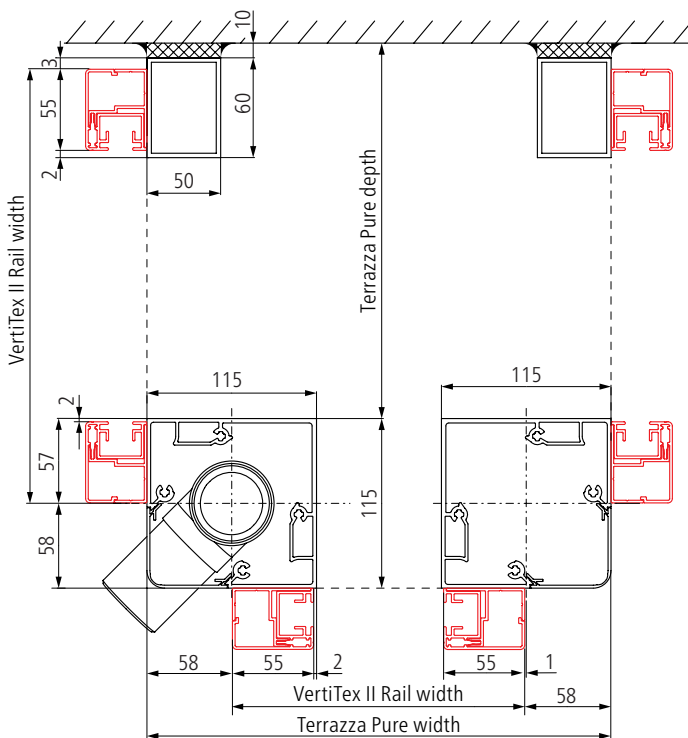
# Terrazza Pure Sun protection

## Vertical sun protection

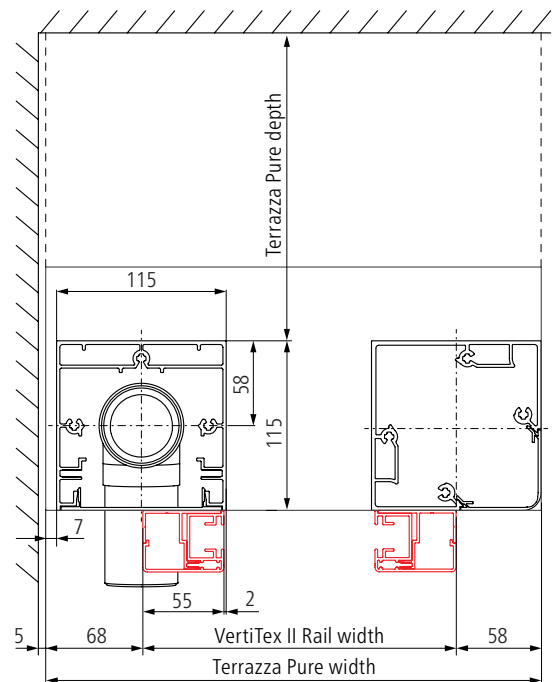
### VertiTex II 112 Rail/Zip



VertiTex II Rail/Zip multi-section unit in front



VertiTex II Rail/Zip all round



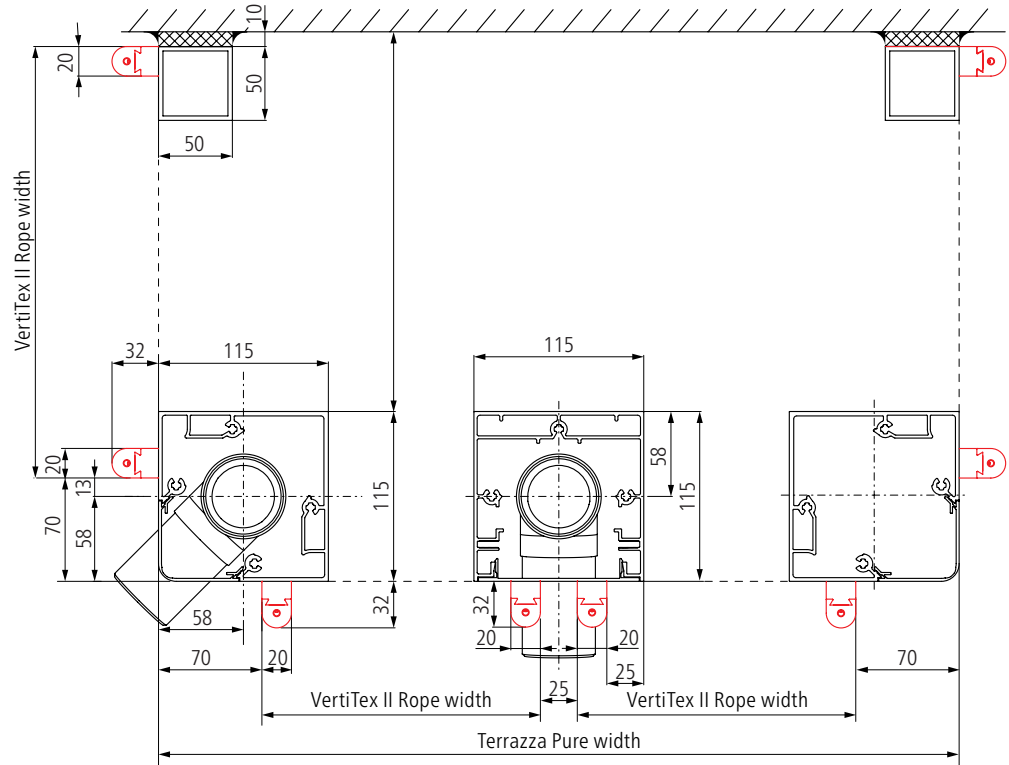
VertiTex II Rail/Zip in front with lateral wall

Note: the guide rails end over the drain pipe as standard (note the PA dimensions)

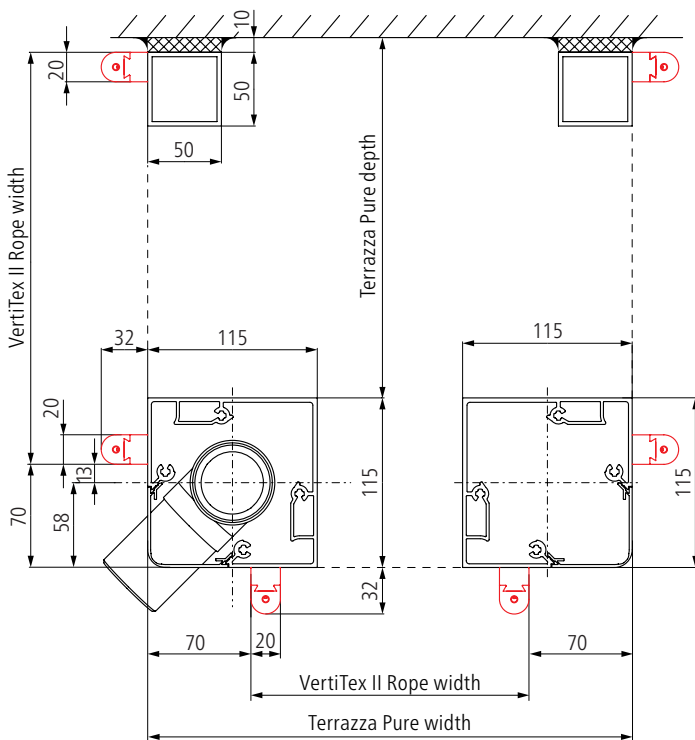
# Terrazza Pure Sun protection

## Vertical sun protection

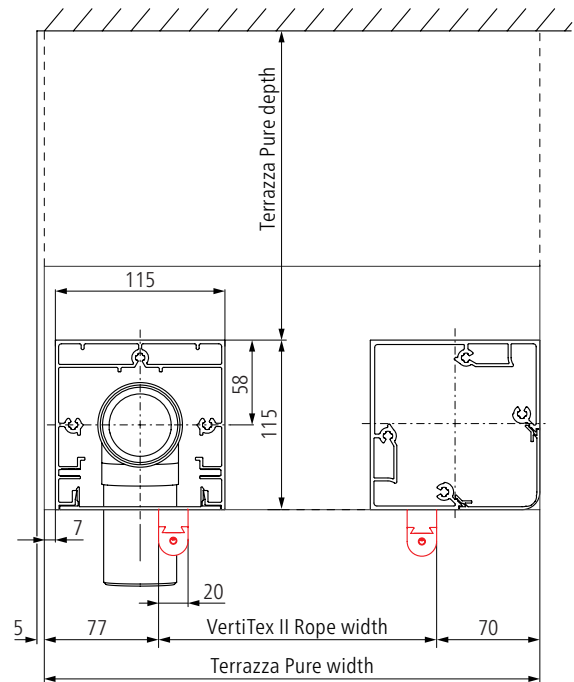
### VertiTex II 112 Rope



VertiTex II Rope multi-section unit in front



VertiTex II Rope all round



VertiTex II Rope in front with lateral wall

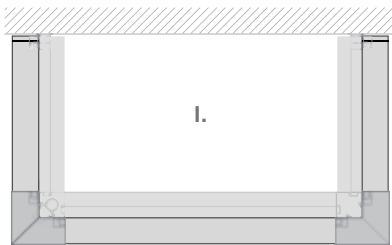
Note: the rope guides end over the drain pipe as standard (note the PA dimensions)

VertiPlus design faceplate for VertiTex II Zip 112



The combination of the Terrazza Pure glass patio roof and the VertiTex II Zip 112 square vertical awning visually create a perfect seamless unit with the elegant VertiPlus faceplate. The system is extremely flexible at the same time, regardless of whether you want the VertiTex II Zip 112 square on the right, left or all the way round. There are 8 different combination options in total.

Terrazza Pure VertiPlus versions



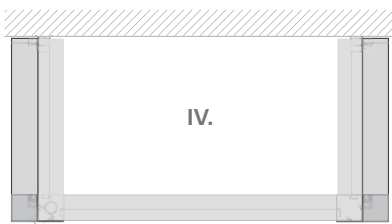
All round



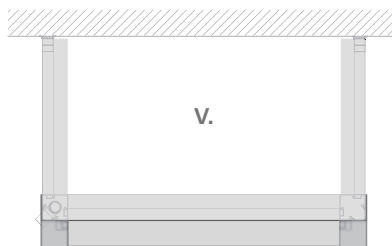
Front and left\*



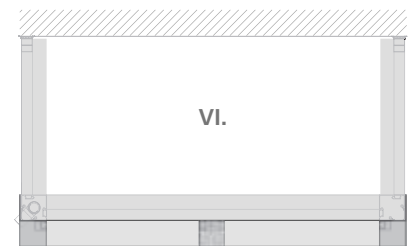
Front and right\*



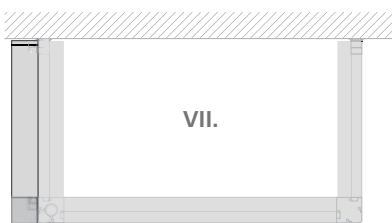
Left and right



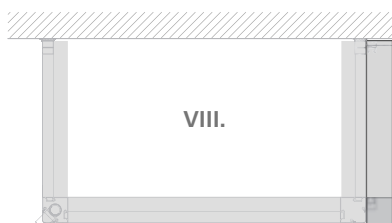
Front\*



2 VertiTex II Zip 112 square in a row\*



Left



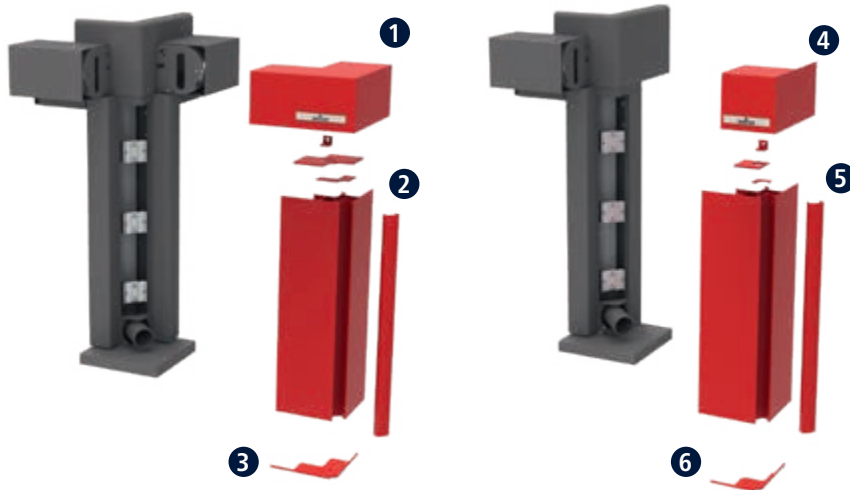
Right

\* see technical drawing below right two pages further

Note

Terrazza Pure VertiPlus can only be retrofitted to existing Terrazza Pure roofs together with VertiTex II Zip 112 square. If a VertiTex II Zip 112 square is already fitted to a Terrazza Pure, retrofitting is not possible.

## Terrazza Pure VertiPlus versions



Double-sided corner faceplates (standard water drainage)

One-sided corner faceplates (standard water drainage)



Double-sided corner faceplates (variable water drainage)

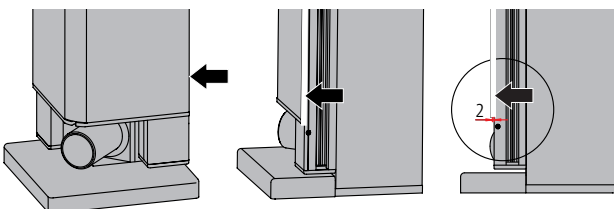
Double-sided corner faceplates (no water drainage)

### VertiPlus faceplate set consisting of\*:

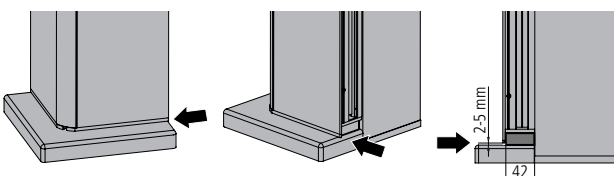
1	Double-sided housing faceplate, angle installation
2	160 x 160 mm corner post faceplate including top and bottom cover plate (use if they cross over the corners)
3	3 panels and small parts for water drainage for 160 x 160 mm post faceplates. The post faceplate is cut to size on site
4	One-sided housing faceplate, on the left and right (one-sided installation)
5	160 x 117 mm corner post faceplate including top and bottom cover plate (one-sided installation)
6	3 panels and small parts for water drainage for 160 x 117 mm post faceplates. The post faceplate is cut to size on site
	Housing faceplate on coupling*

\*When installing 2 VertiTex II Zip 112 square in a row over the middle post, the faceplate for the housing is also used on the coupling.

### Tolerance specifications for posts with VertiPlus



Please note: 2 mm gap may form due to tolerances behind the faceplate



Please note: Tolerance of 2-5 mm above the post plate cover cap

### Possible water drains



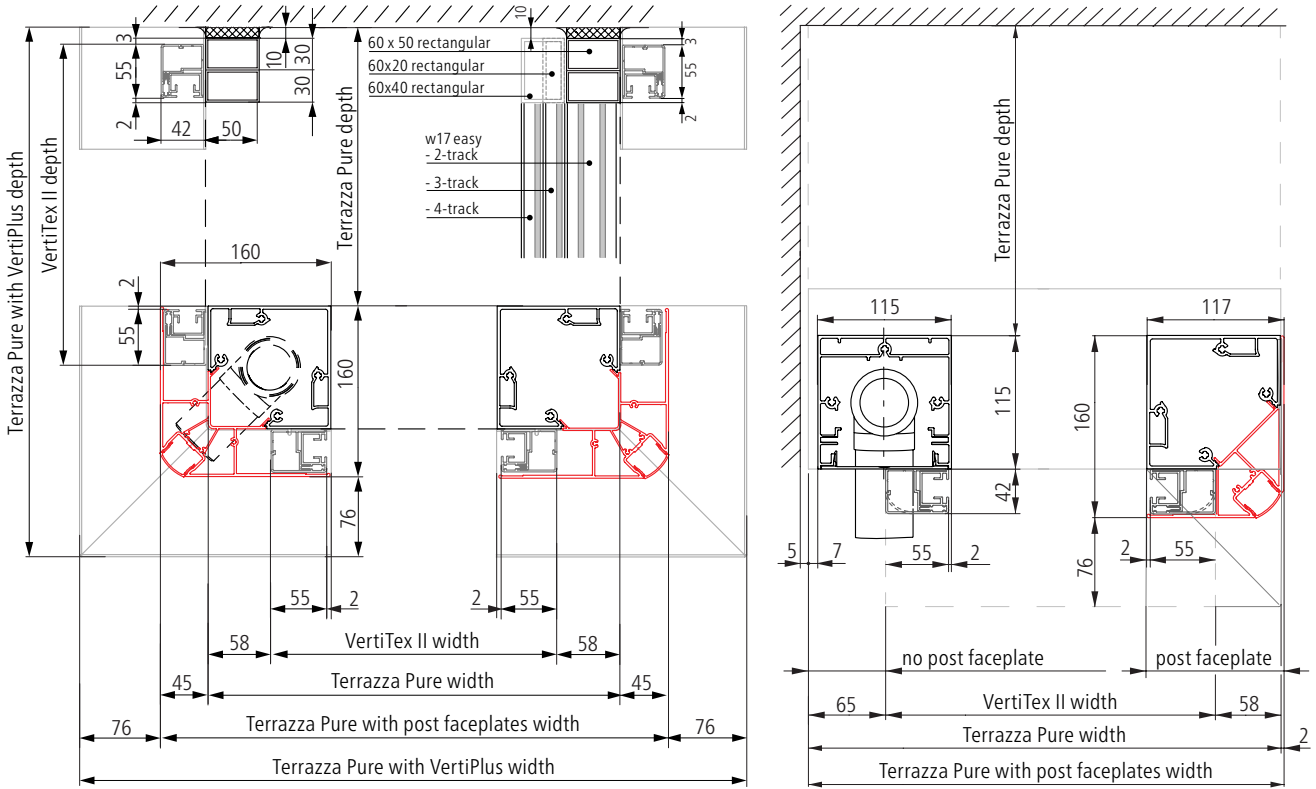
Variable (surcharge)

Standard, double-sided

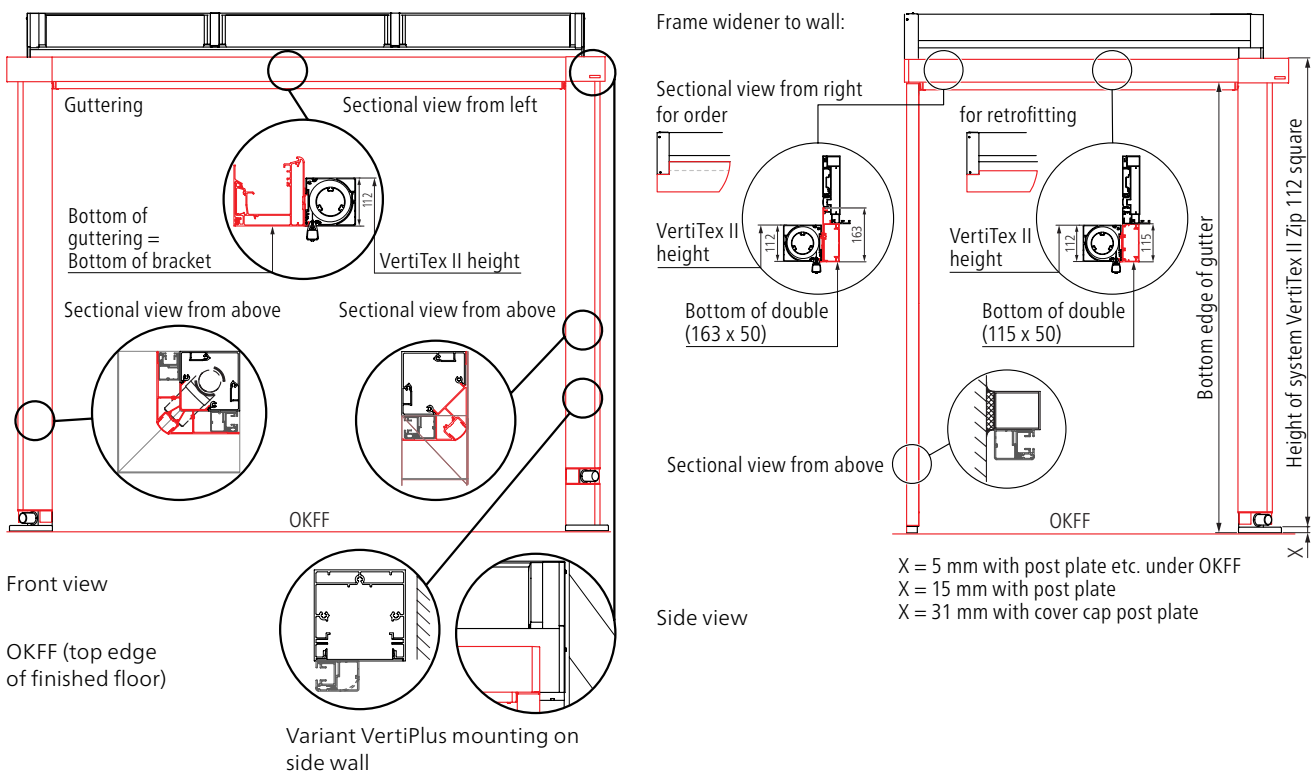
Standard, one-sided

Terrazza Pure VertiPlus sections and dimensions

Top view of VertiTex II Zip 112 square using the example of VertiPlus all the way round, one-sided and lateral wall



Positioning of VertiTex II Zip 112 square on the Terrazza Pure guttering and posts





# Terrazza Pure Sun protection

## Underlay sun protection

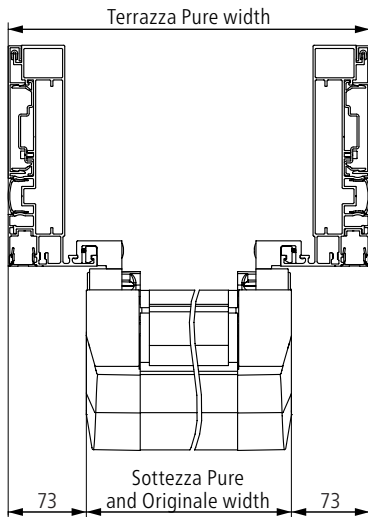
### Sottezza Pure and Originale – undermounted glare protection



Sottezza Pure and Originale are the ideal undermounted sun protection for the weinor Terrazza Pure patio roof and for the Glasoase®, if there is enough air circulation. On sunny days, they offer pleasant dazzle and sun protection.

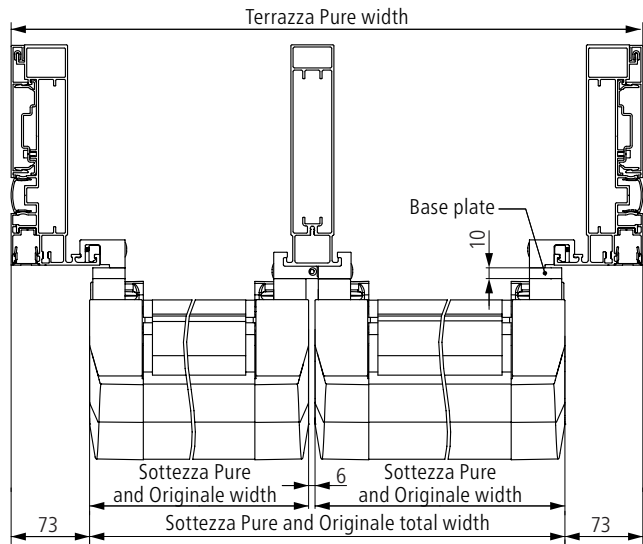
### Sottezza Pure and Originale with up to 70 mm glazing elements on a free-standing Terrazza Pure

1-panel unit



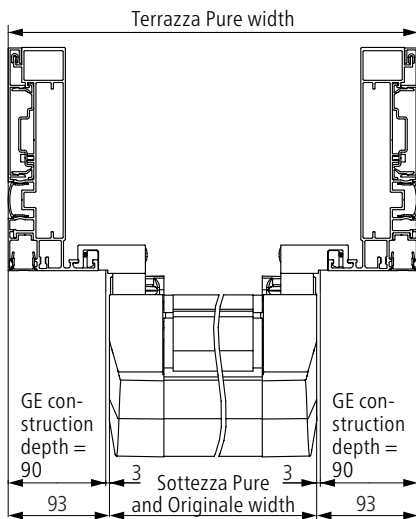
46 mm mounting plate for max. 70 mm wide GE

2-panel unit or two 1-panel units



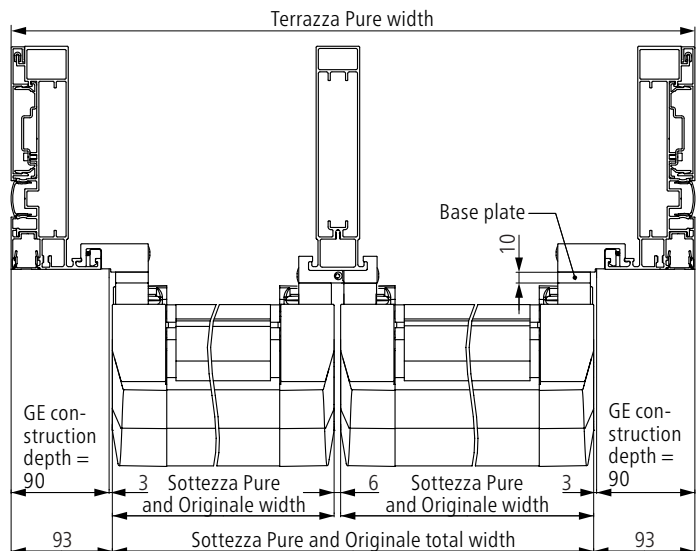
### Sottezza Pure and Originale with up to 90 mm glazing elements on a free-standing Terrazza Pure

1-panel unit



66 mm mounting plate for max. 90 mm wide GE

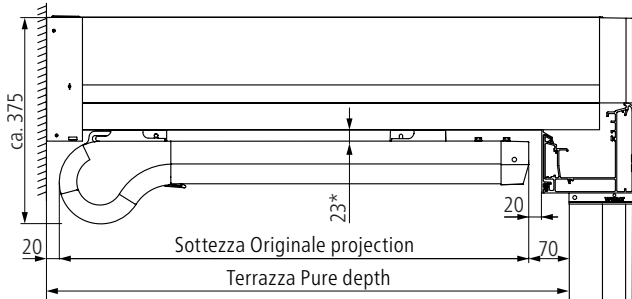
2-panel unit or two 1-panel units



# Terrazza Pure Sun protection

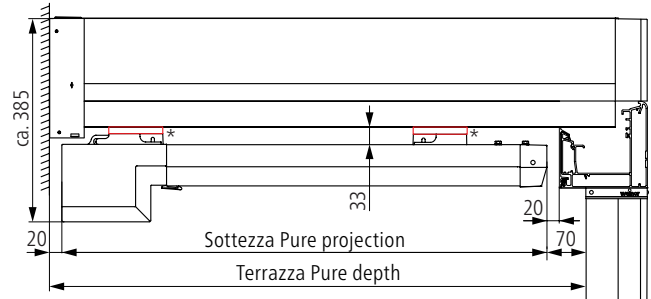
## Undermounted sun protection

### Terrazza Pure with Sottezza Originale



\* (with multi-section units 34)

### Terrazza Pure with Sottezza Pure



\* Base plate 100 x 30 x 10 mm required.

The sun protection runs below the roof support. Sottezza Pure and Originale can be mounted very tight under the roof supports thanks to the colour LED strips integrated in the roof supports.

## Sottezza Pure and Originale installation under Terrazza Pure



Undermounted installation on a Terrazza Pure patio roof by example Sottezza Pure

The Sottezza Pure and Originale mounting bracket allows for fast and secure installation. The brackets grip flush to the underneath of the roof supports, plus no drilling or screwing into the roof supports is required anymore. Also ideal for retrofitting a Sottezza Pure and Originale.

Mounting of the Sottezza Pure and Originale in combination with Terrazza Pure with 0° pitch possible.

### Sottezza Pure and Originale mounting plate indented 70 mm



46 mounting plate (only Sottezza Originale)



46 mounting plate with base plate (for Sottezza Pure and Originale or multi-section unit)

### Sottezza Pure and Originale mounting plate indented 90 mm



66 mounting plate (only Sottezza Originale)



66 mounting plate with base plate (for Sottezza Pure and Originale or multi-section unit)

### Sottezza Pure and Originale mounting plate for multi-section units, in centre



Mounting plate for multi-section units

# Terrazza Pure Sun protection

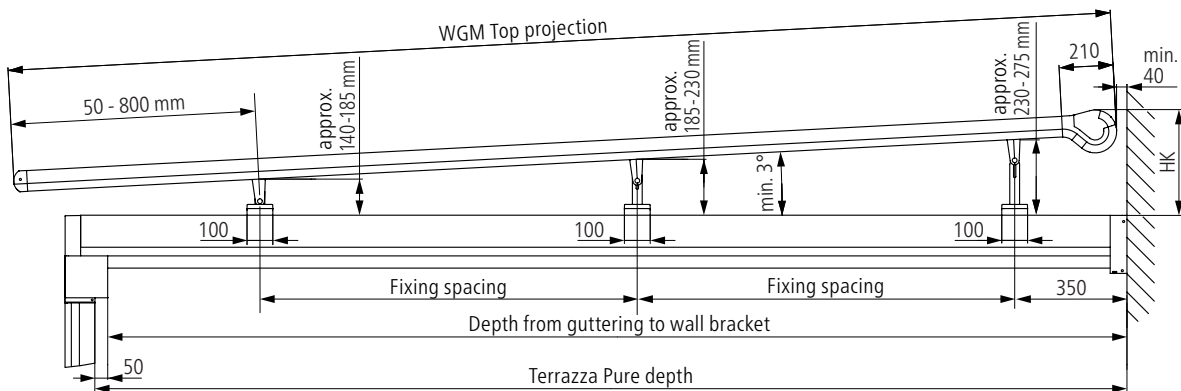
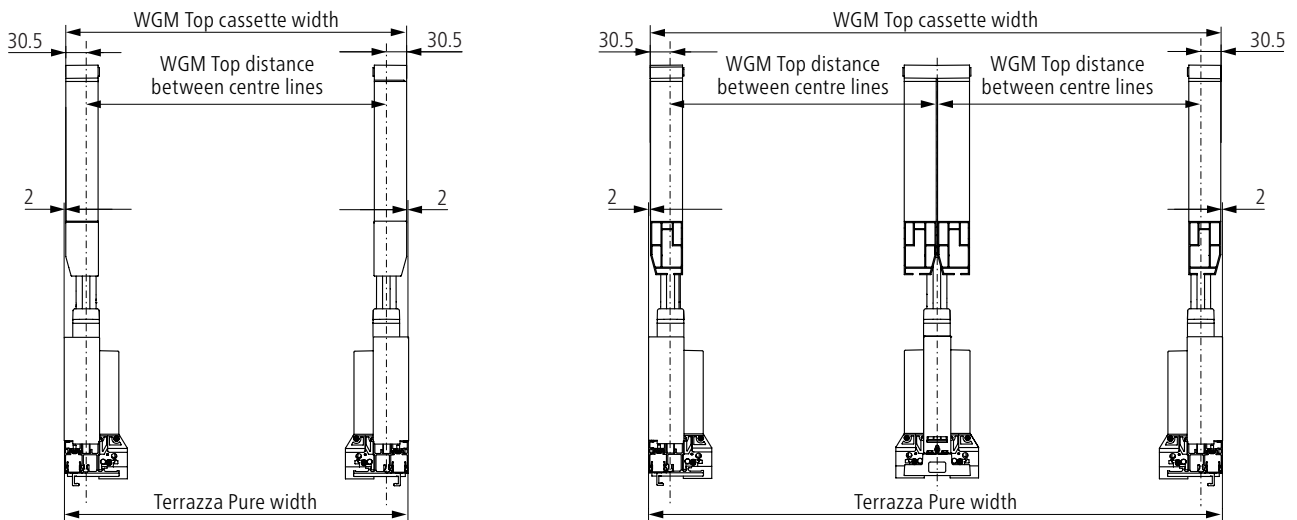
## Surrounding shadowing

### WGM Top – over roof heat protection

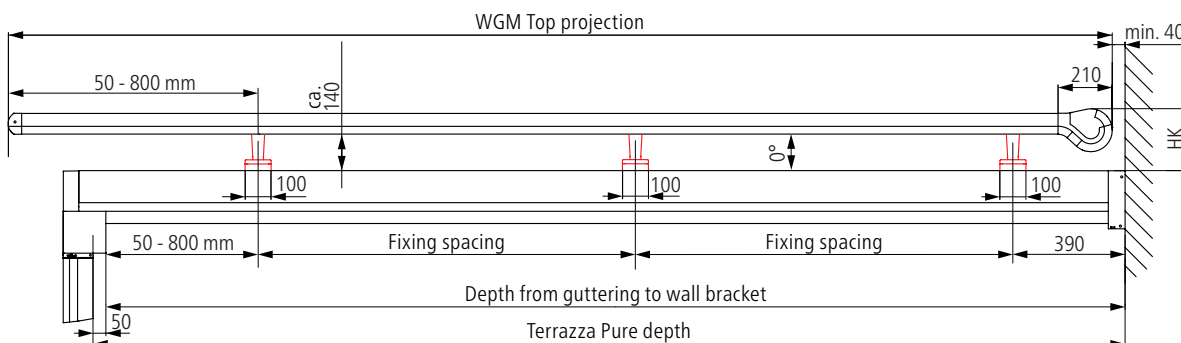


Over roof conservatory awnings from weinor protect the Terrazza patio roof or the Glasoase® from excessive heat build-up.

### WGM Top on Terrazza Pure



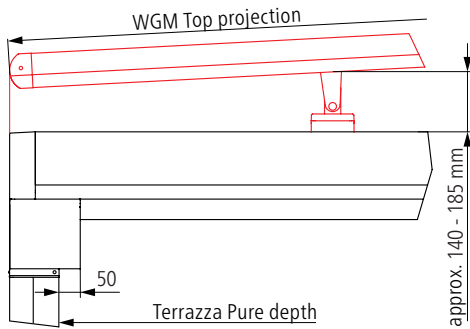
### WGM Top 0° installation on Terrazza Pure



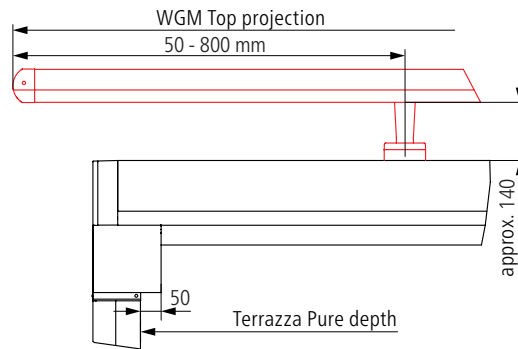
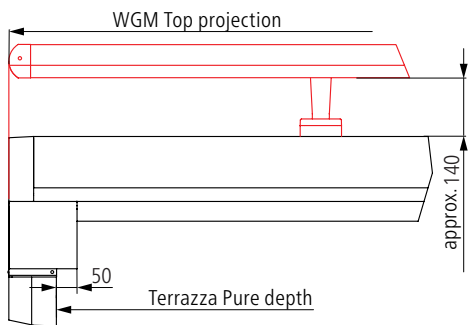
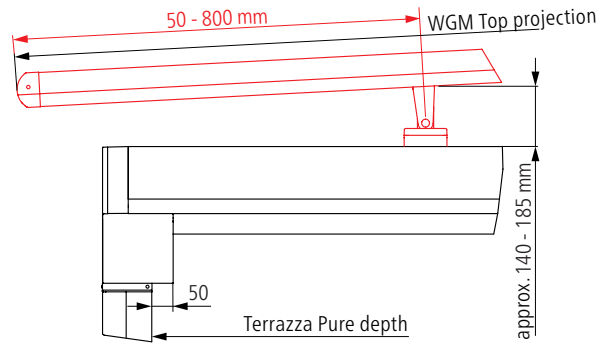
## Surrounding shadowing

### WGM Top guide rails overhang

#### Standard without overhang



#### WGM Top with overhang



### Determining the projection of the conservatory awning

Terrazza Pure roof depth (mm)	1600	2000	2500	3000	3500	4000
WGM Top 3° pitch guide rails flush with guttering (standard)	1680	2080	2580	3080	3580	4080
WGM Top 0° pitch guide rails flush with guttering (standard)	1675	2075	2575	3075	3575	4075

**Note:** The installation of the WGM Top is recommended with a minimum pitch of 3°. A flat installation at 0° increases the chance of dirt gathering on the front fabric edge. Please always take into account the risk of a rapid formation of "pooling" when left out in rain with the OptiStretch version.

### Minimum height of WGM Top over Terrazza Pure

Terrazza Pure roof depth (mm)	1600	2000	2500	3000	3500	4000
WGM Top 3° pitch – box height (HK)	300	330	350	370	390	400

## WGM Top installation on Terrazza Pure



Installation on a Terrazza patio roof



### WGM Top mounting plate

A support bracket preparation is optionally available for conservatory awnings – perfectly matched, as from one system.

WGM Top mounting plate

# Terrazza Pure Multi-section unit

Multi-section unit consisting of 2 individual roofs



Widths of more than 7m can be achieved by placing two individual roofs side by side. The joining point (where the chance of water ingress is greatest) of the two roofs is closed by dummy a cover profile. At the same time the dummy profile plates fitted above the roof beams protect against driving rain and provide a good seal during installation. The dummy profile plates on the middle posts and underneath the middle roof beams closes the gap between the individual roof spaces.



#### Middle post facing

80mm wide aluminium profile plates are supplied in sufficient quantity. They can be cut on site to the appropriate post length to ensure a seamless transition between the posts..

#### Note

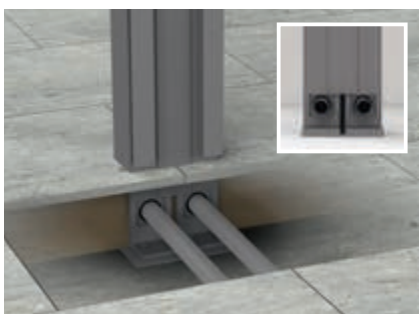
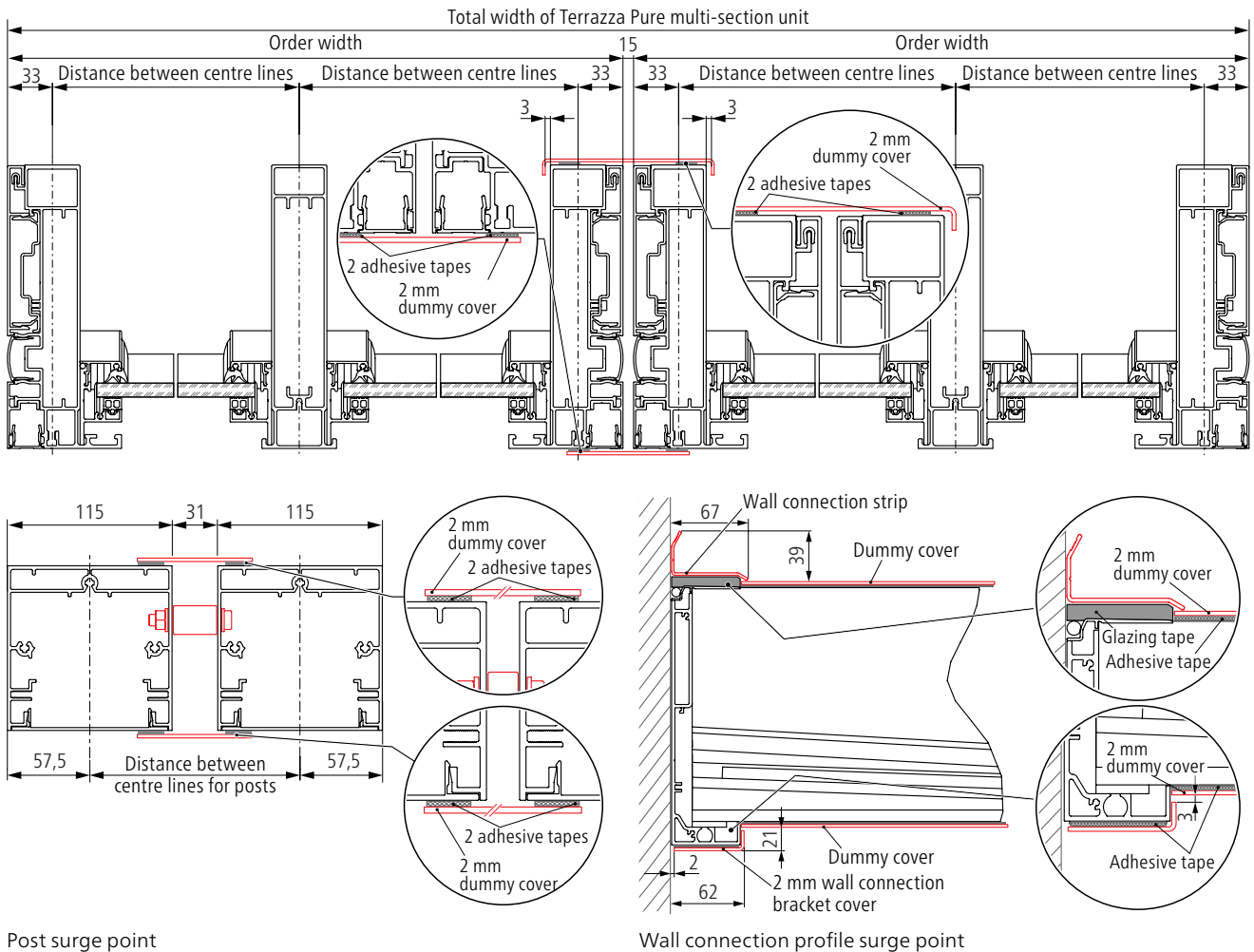
- Please note that due to the two single roofs in the middle, two roof supports and two middle/wall posts are structurally necessary. Point this out to your customers, if this look is important to them.



# Terrazza Pure Multi-section unit

## Cross-sections and dimensions

### Terrazza Pure multi-section units with dummy covers



#### Middle post drainage

The central profile plate ends above the drainage outlet. It may be recommended here to drain underneath the finished floor level.



#### Wall connection profile gap cover

This seals the gap between the wall profiles and protects the central join area from driving rain.



#### Inside and outside facing

for the post, gutter and roof support ensure a clean transition between the units.

#### Note

For the installation of accessories or connection products such as glazing elements or awnings, each side of the roof is treated as a single roof: as a result, each side of the roof gets its own shading, lighting and control systems. Electrical connections cannot be provided between the two sides of the roof.

# Terrazza Pure Coupled units

## Coupled unit with just one centre post



Widths from 7m to 14m can now be achieved with Terrazza Pure as a coupled unit. Unlike the previous multi-section unit there is only one centre post required for a coupled unit.

All profiles and components are securely bolted together to form a complete roof – giving the impression of a single uniform system.



**Inward and outward facing covers** over the gutter joins ensure a clean transition between profiles.

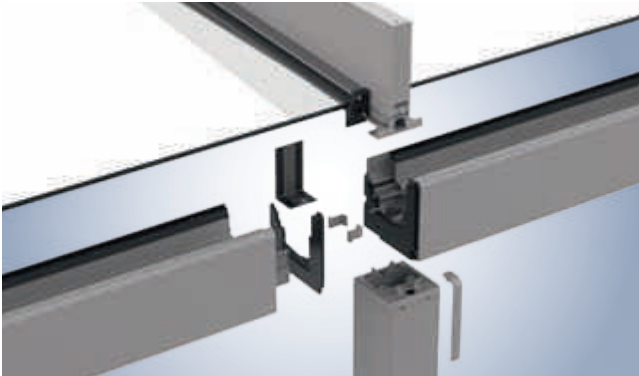


Cover plate above the wall connection joint is always located close to a roof beam.

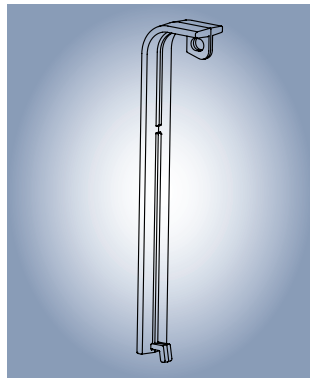
### Notes:

- Max 2 joints per roof up to 14 m possible
- A post must always be located at the guttering coupling point
- Post also possible with drainage at the coupling point
- The wall connection profile is provided with max. 1 coupling point (refer to the technical drawing for the rules)

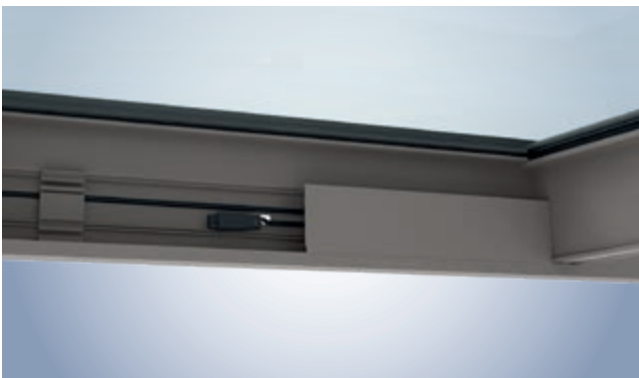
## Further details and technical information



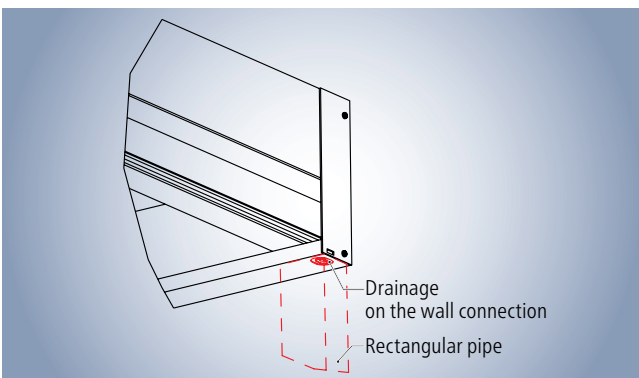
Coupling on the guttering with rubber moulded parts for optimum and installation-friendly sealing. No further sealants are required. The new post connection at the coupling point enables precise positioning using angled lugs and presses the gutter parts together.



The guttering cover can be cut off accordingly for optimum VertiTex II installation. As a result, the VertiTex II housing can run across the coupling point or 2 housings flush be installed flush to each other (multi-section unit).



For the option preparation for mains connection inside the wall connection profile (as of 7 metres' roof width), the cables are now only included and no longer pre-assembled in the wall connection. Optional lighting and electrical components are pre-assembled ready to plug in as accustomed.

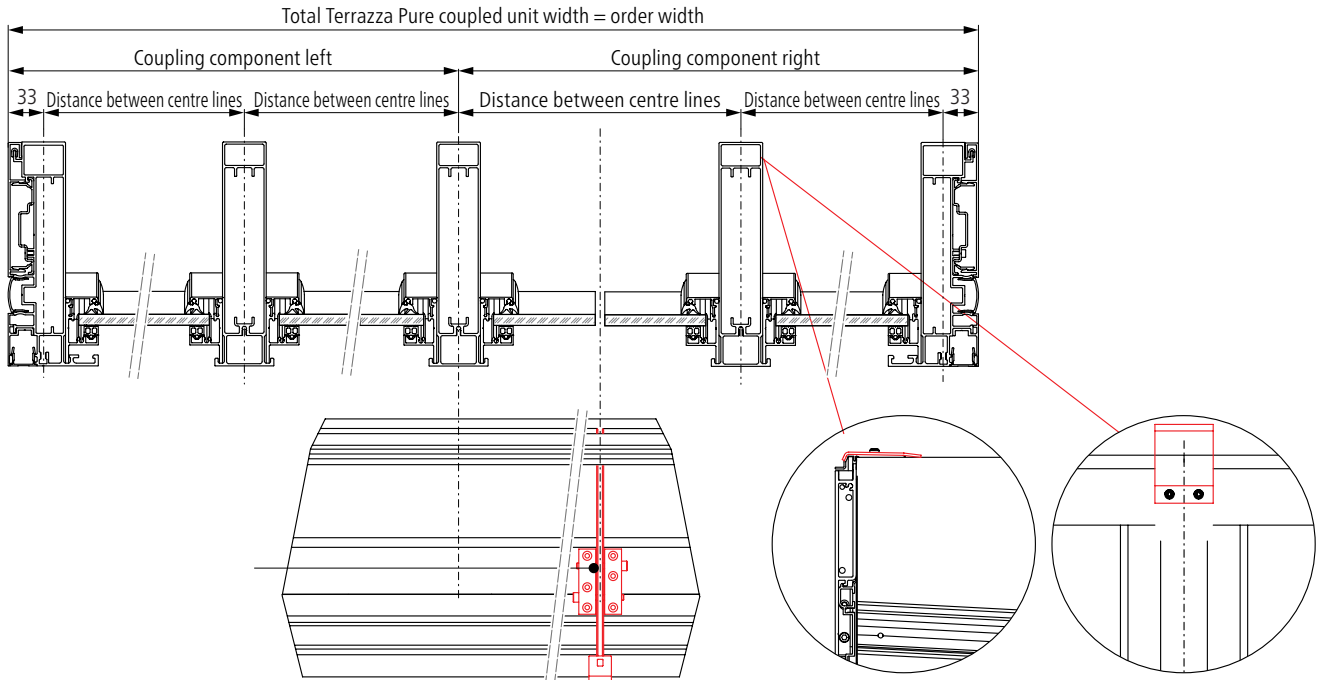


Optional additional drainage from the wall connection is possible. For this, an upright wall connection profile is required. A glazing element wall connection (rectangular profile with a minimum of 50x50 mm) is equally suitable. We particularly recommend this option for a niche installation so that and rainwater or condensation that gathers can be dispersed easier (of course suitable flooring is a necessity because traces of moisture can be formed).

# Terrazza Pure Coupled units

## Cross-sections and dimensions

### Wall connection profile coupling even number of roof panels

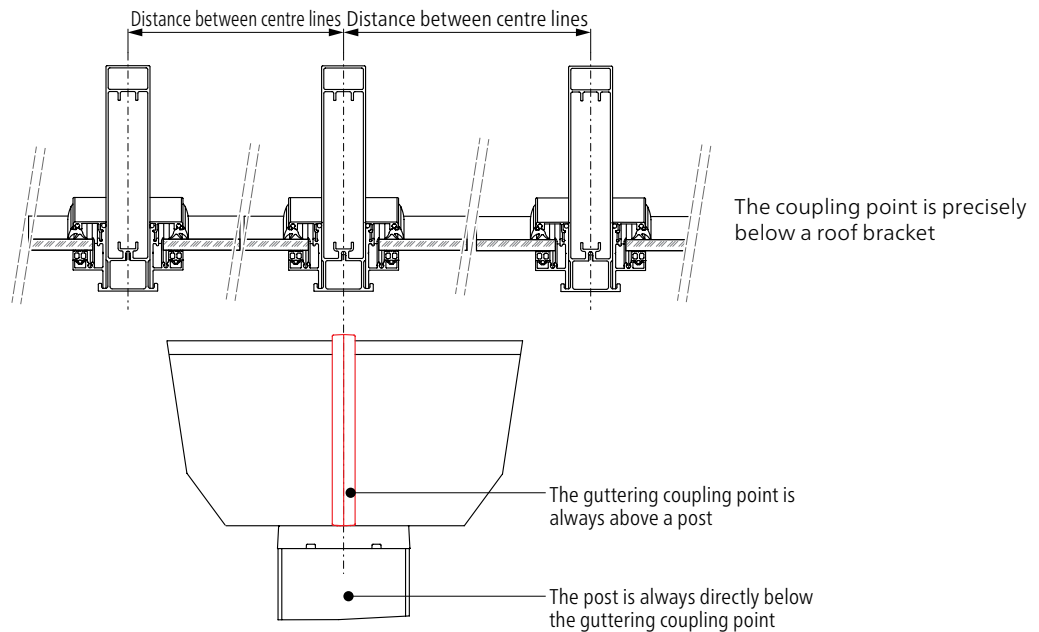


Wall connection frame coupling point is always central in the right-hand side roof panel, for an even number of roof panels and as of a width of 13 m

The surge point of the wall connection profile upper part is always placed above a roof beam

The surge point is protected by a cover plate

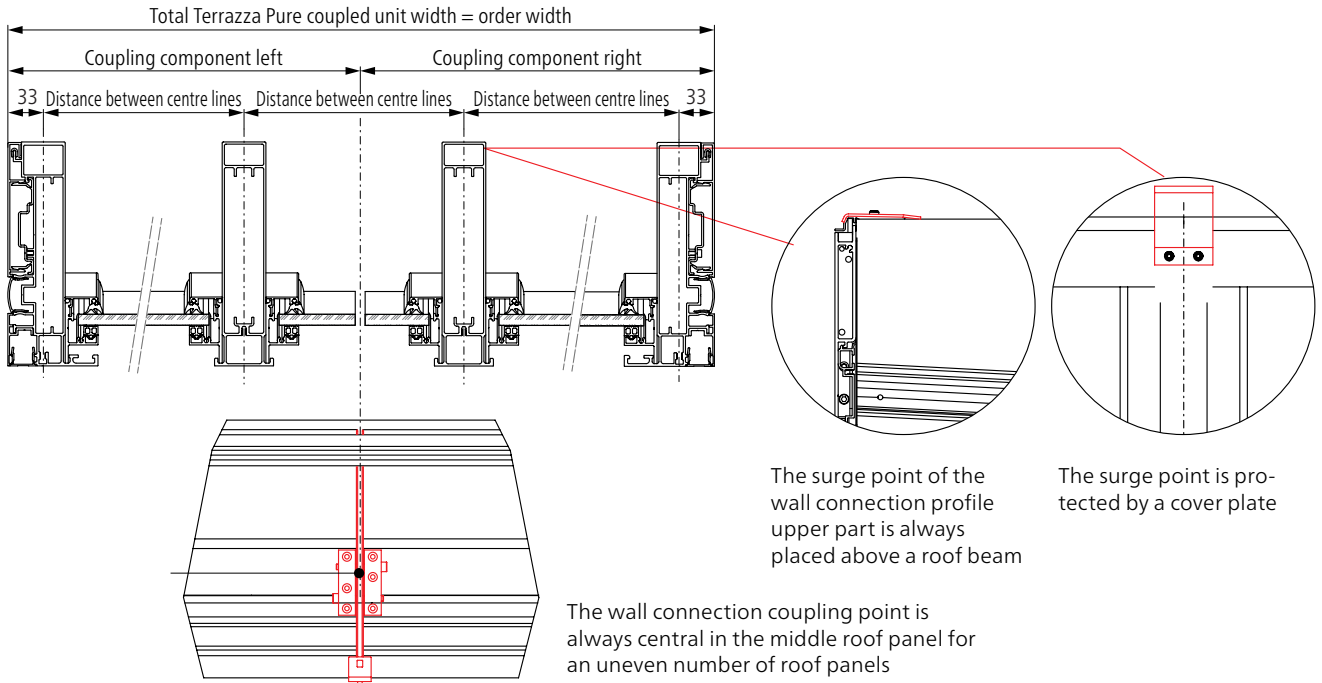
### Gutter coupling



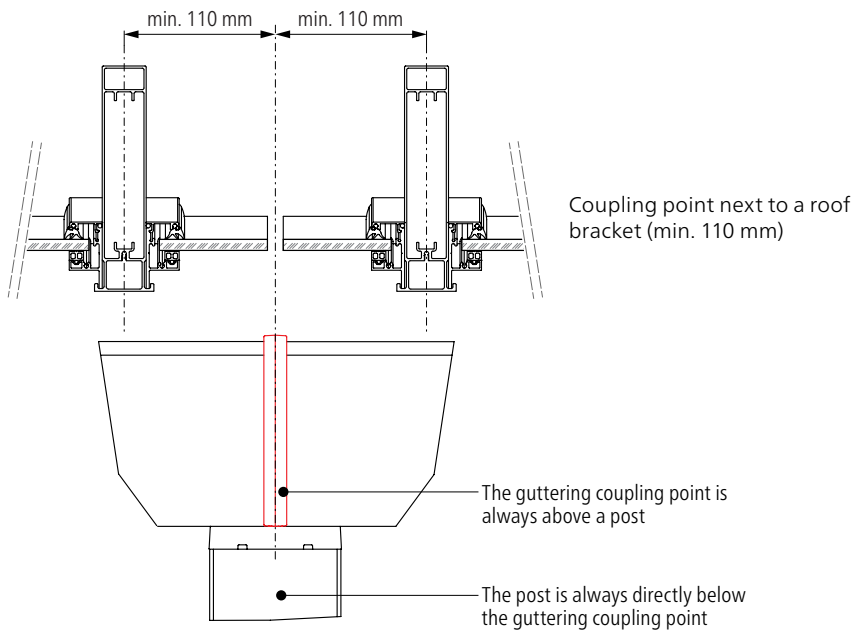
# Terrazza Pure Coupled units

## Cross-sections and dimensions

### Wall connection profile coupling uneven/odd number of roof panels



### Gutter coupling



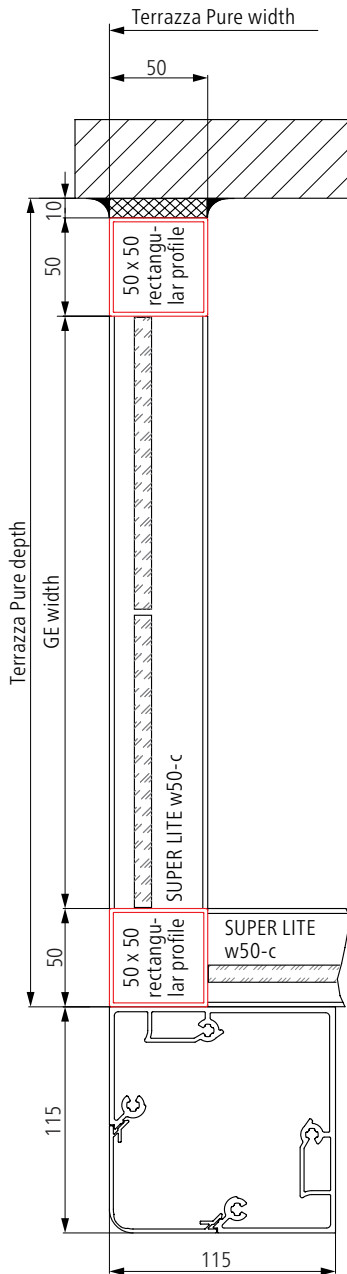


# Terrazza Pure Glasoase®

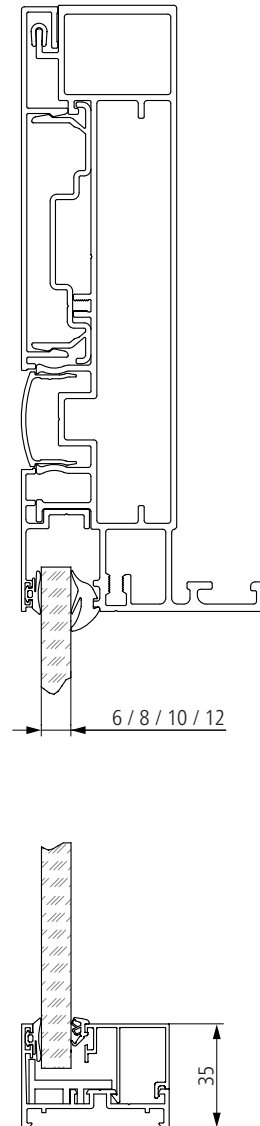


w50-c fixed glazing and SUPER LITE for Terrazza Pure

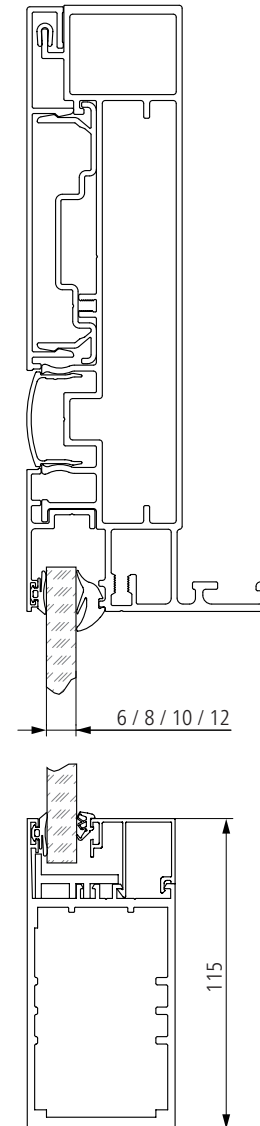
Terrazza Pure with w50-c SUPER LITE



Side roof support with SUPER LITE with 35 mm frame

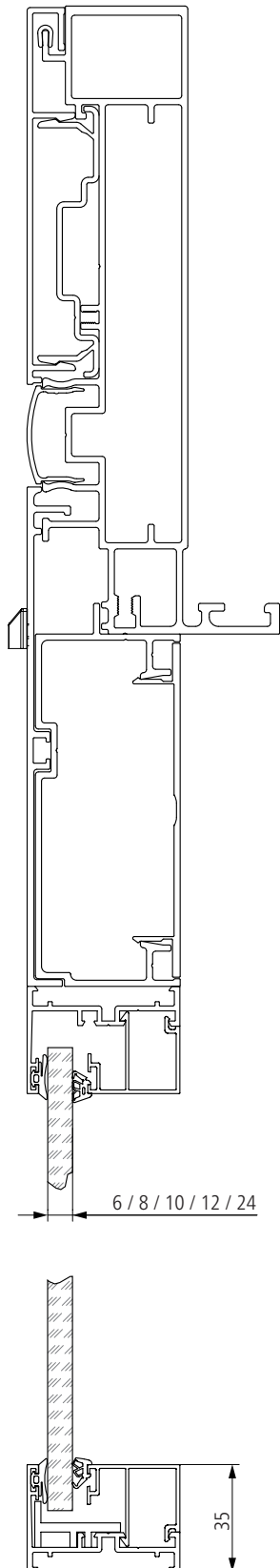


Side roof support with SUPER LITE with 105 mm frame

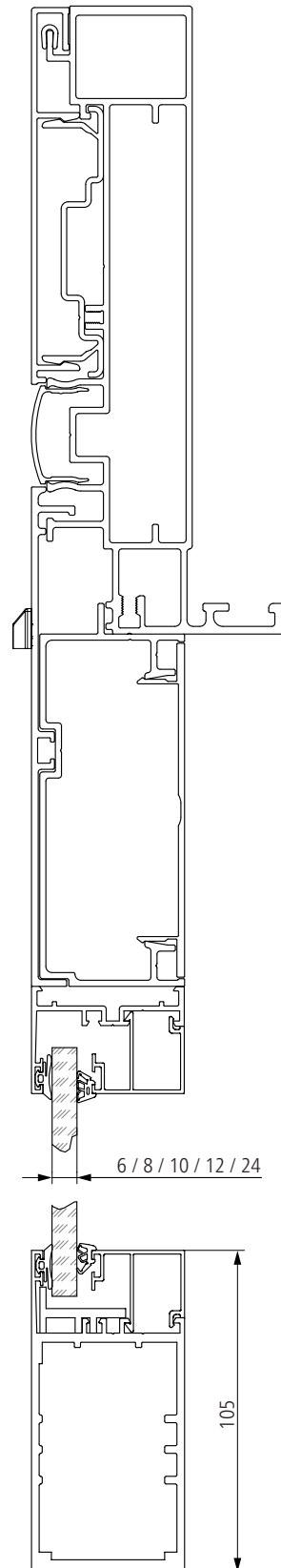


w50-c SUPER LITE fixed glazing

Side roof support with 163 x 50 mm frame widener (standard) and w50-c SUPER LITE 35 fixed glazing



Side roof support with 163 x 50 mm frame widener (standard) and w50-c SUPER LITE 105 fixed glazing

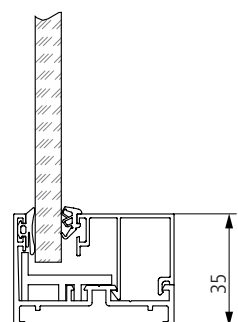
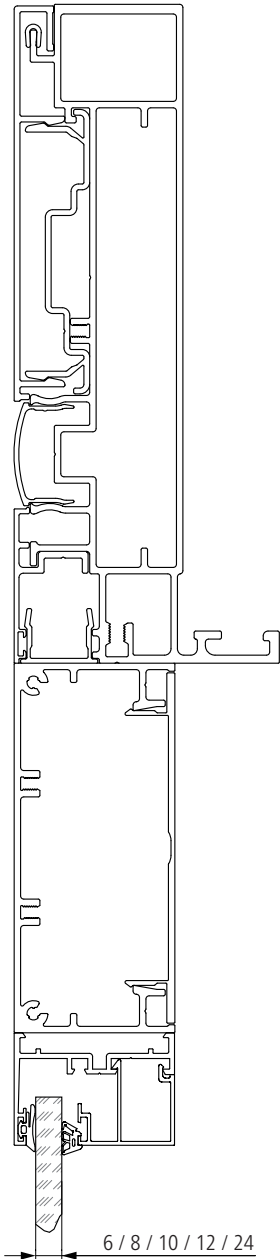


**Note:**  
Drainage slots with cover caps provide additional controlled water drainage from the profiles.

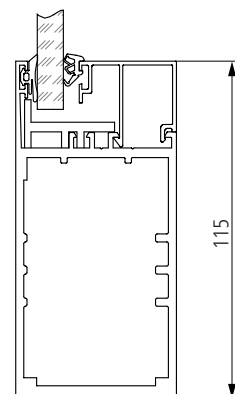
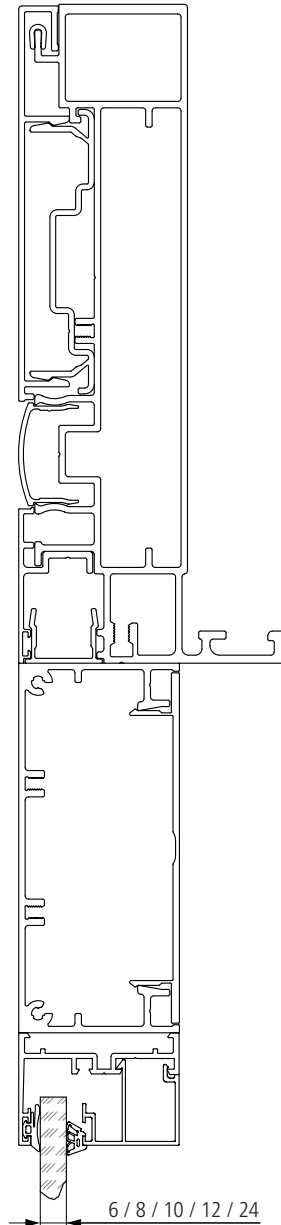
The appearance and technology of the side roof support can change with a partial wall connection. Please ask for availability

w50-c SUPER LITE fixed glazing

Side roof support with 115 x 50 mm frame widener (for retrofitting) and w50-c SUPER LITE 35 fixed glazing



Side roof support with 115 x 50 mm frame widener (for retrofitting) and w50-c SUPER LITE 105 fixed glazing



The appearance and technology of the side roof support can change with a partial wall connection. Please ask for availability

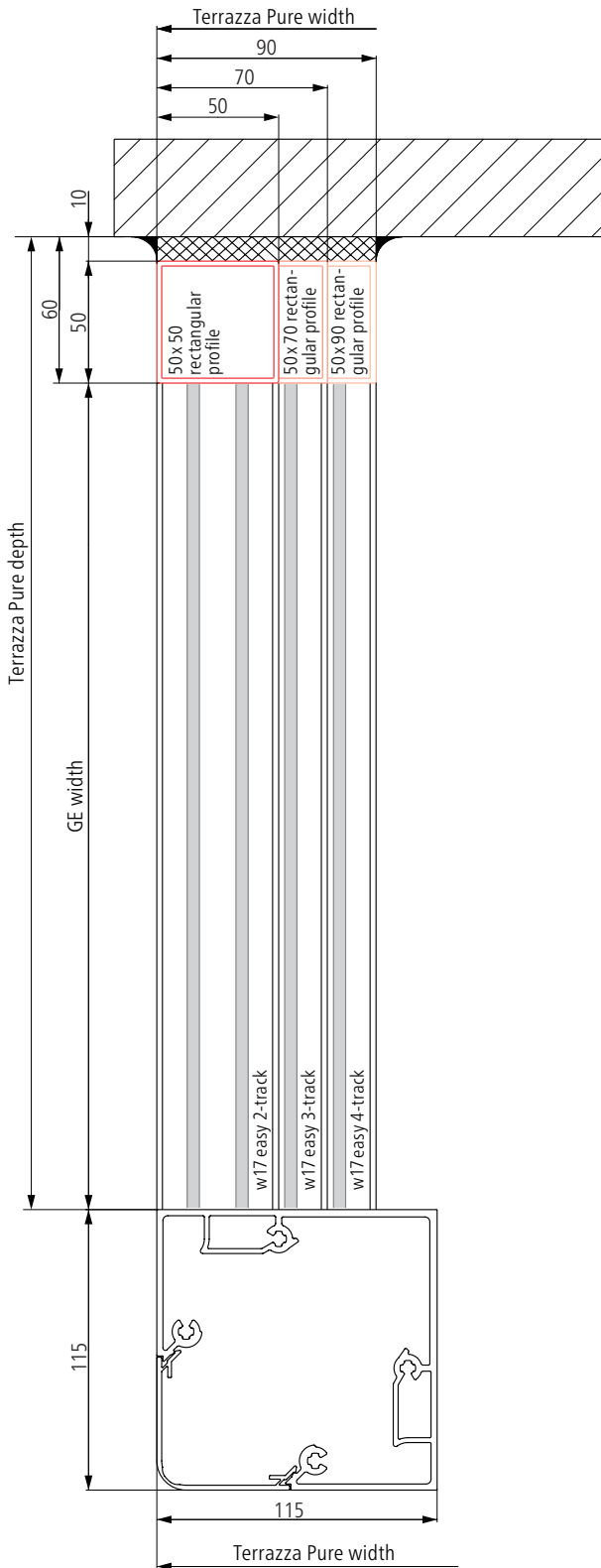




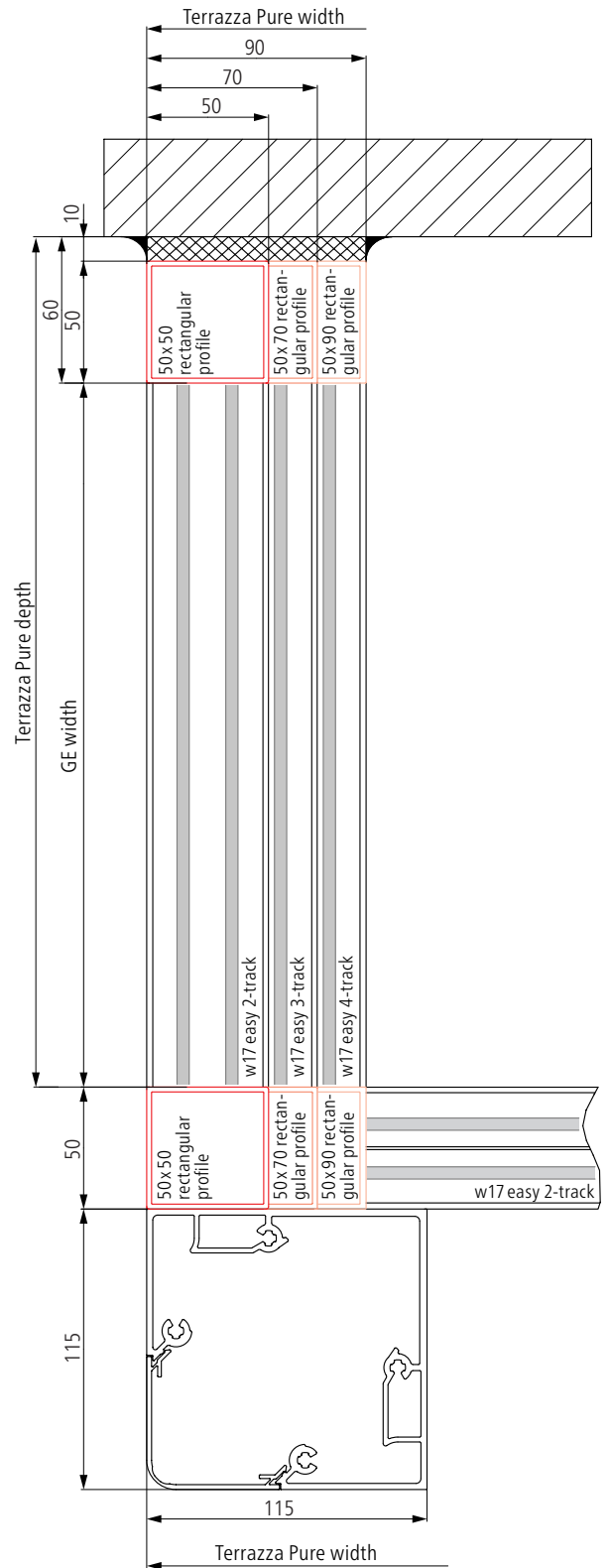


w17 easy

2 to 4-track on one side

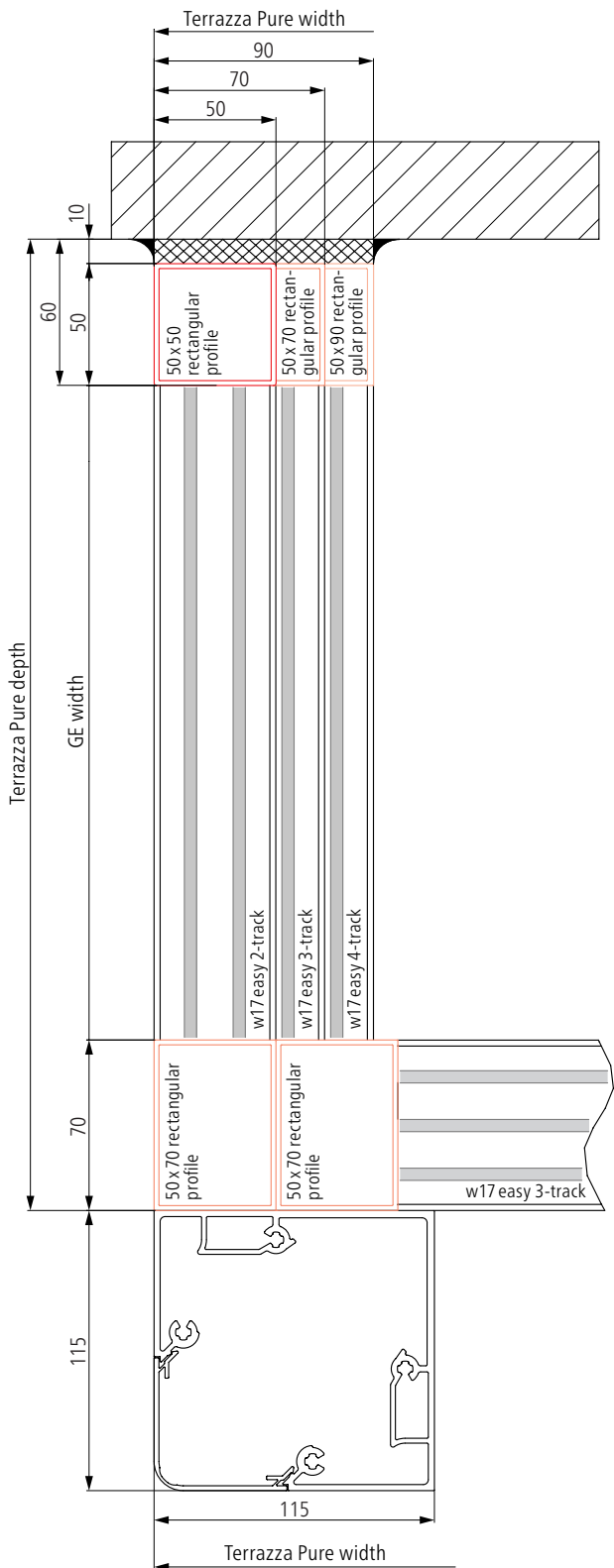


2 to 4-track on one side,  
2-track at the front

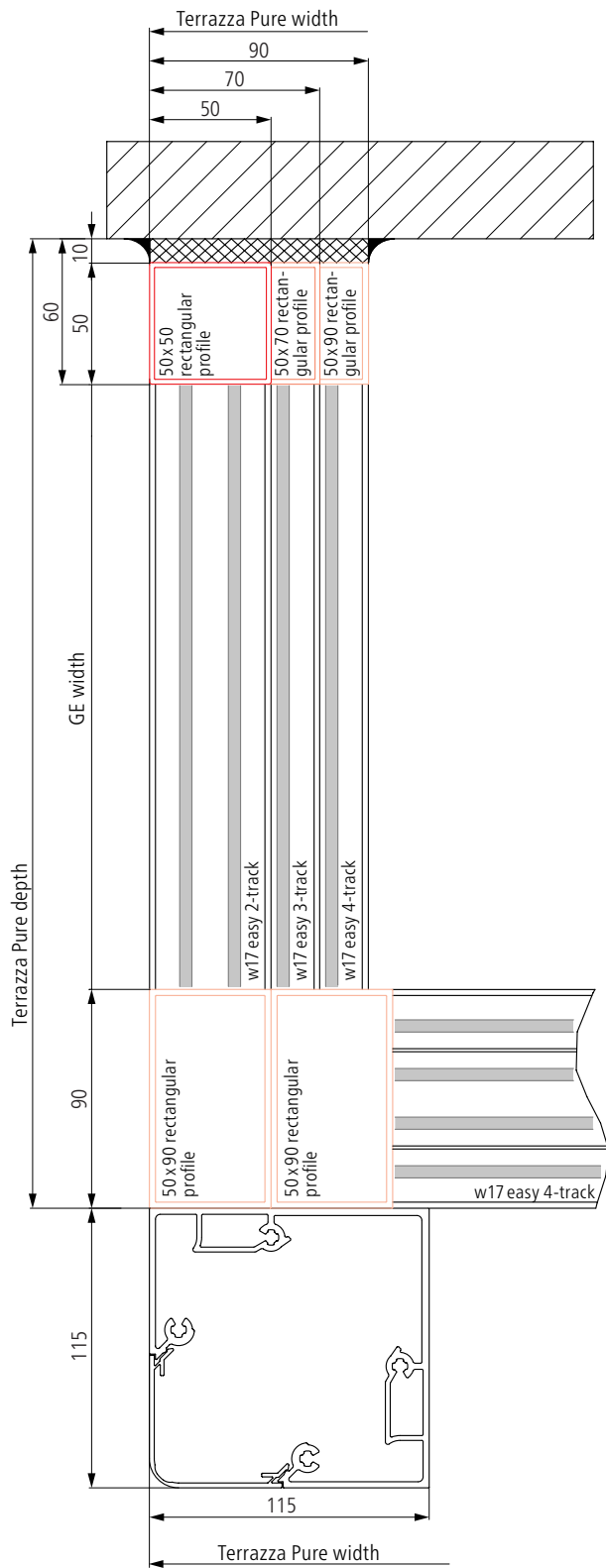


w17 easy

2 to 4-track on one side,  
3-track at the front

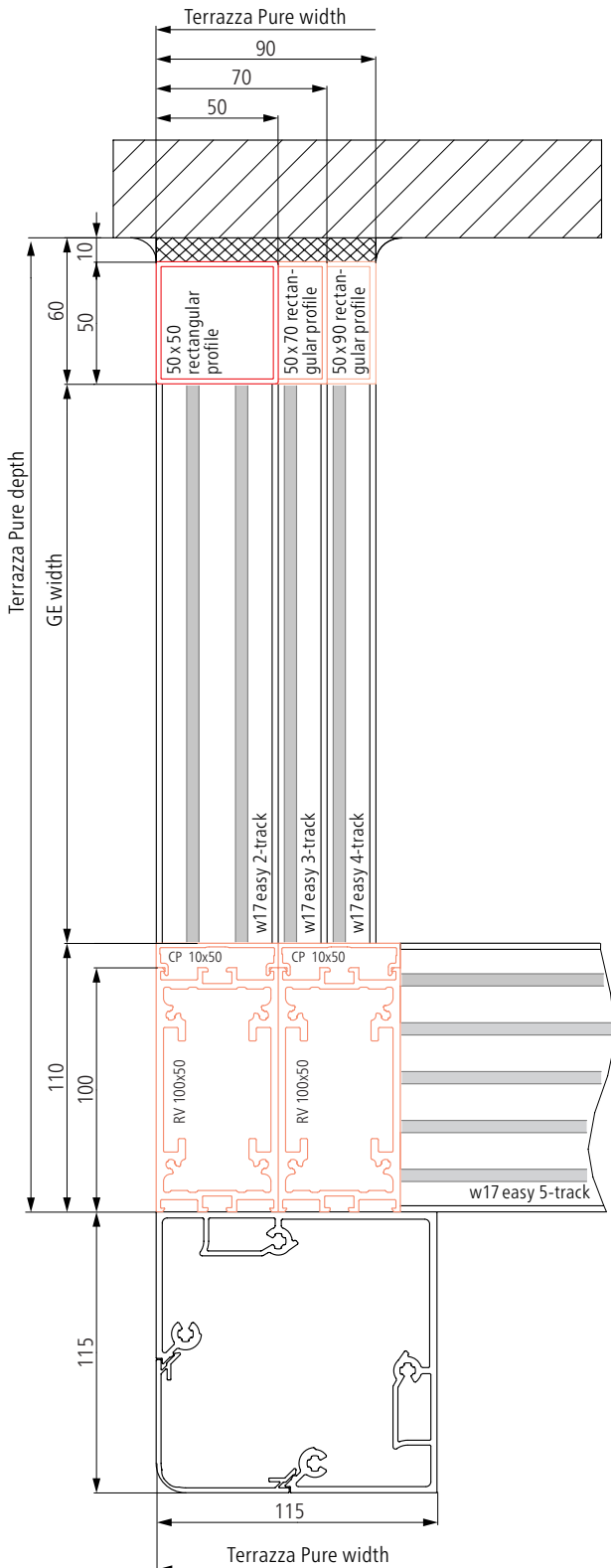


2 to 4-track on one side,  
4-track at the front

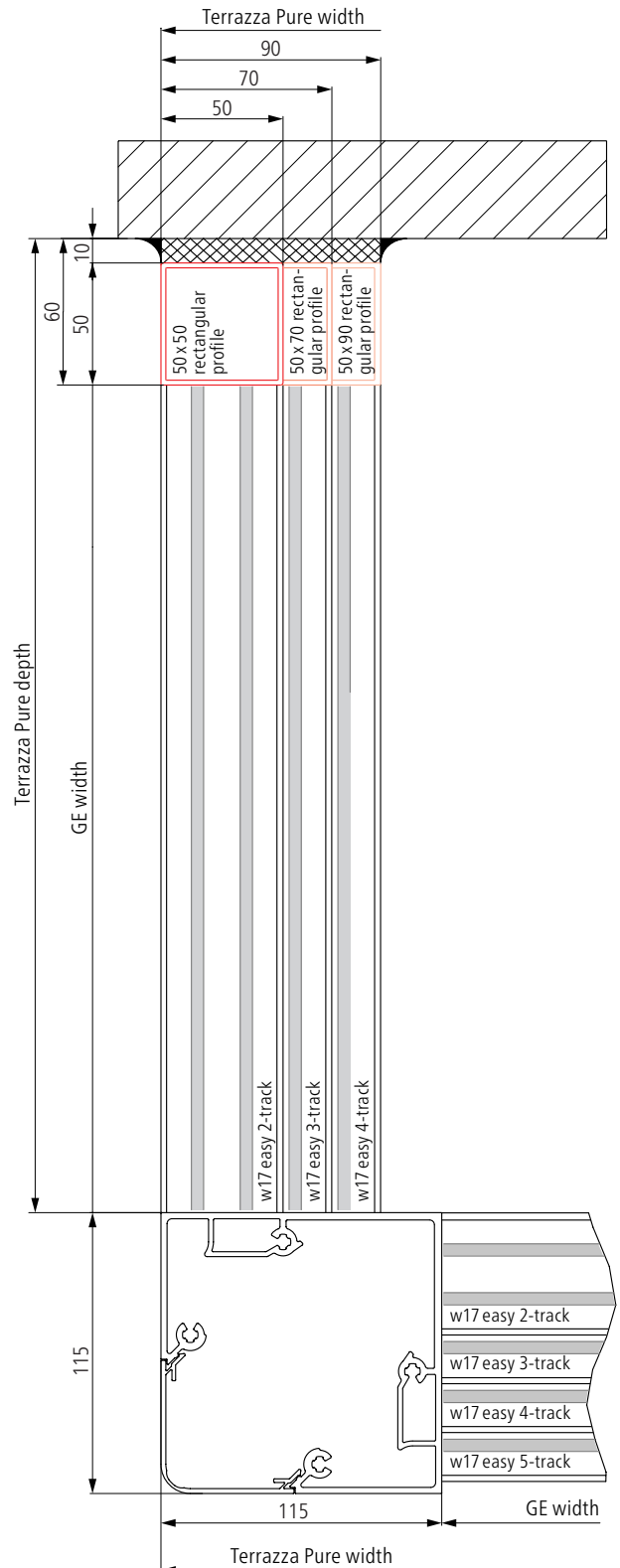


w17 easy

2 to 4-track on one side,  
5-track at the front

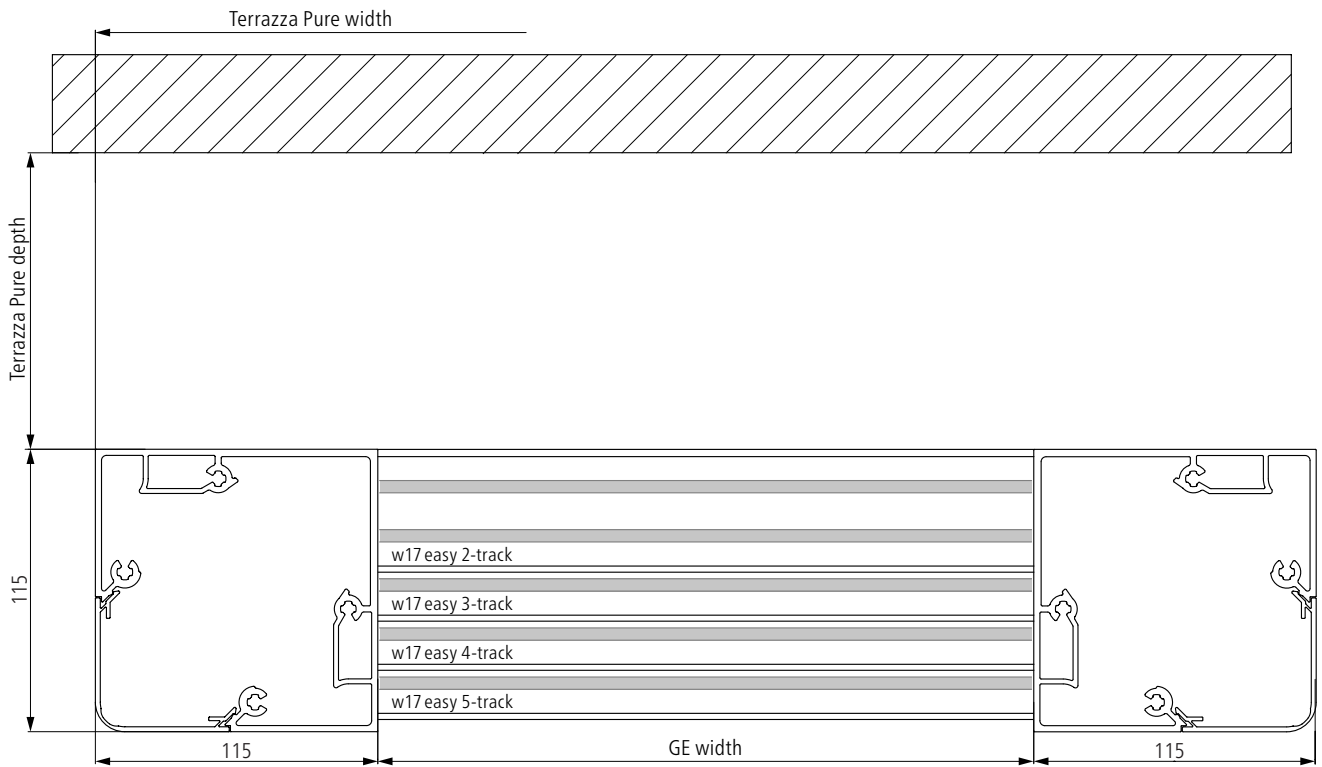


2 to 4-track on one side,  
2-5 at the front between posts



w17 easy

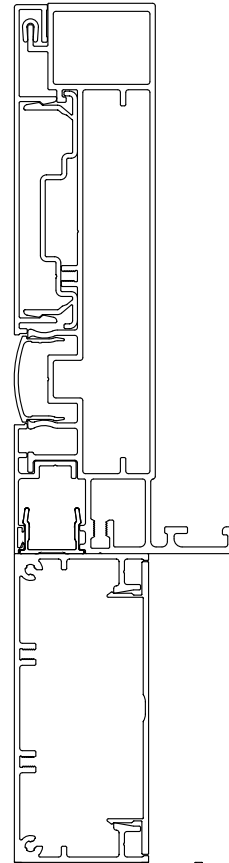
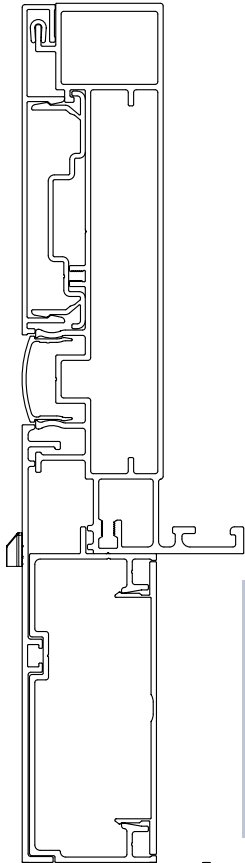
2 to 5-track at the front



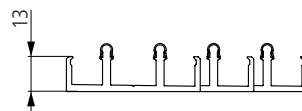
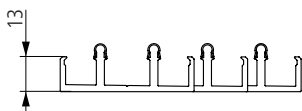
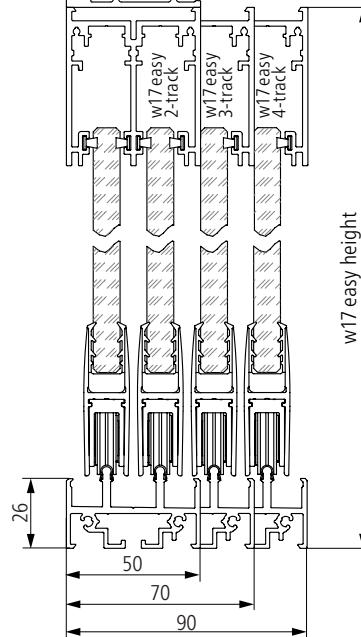
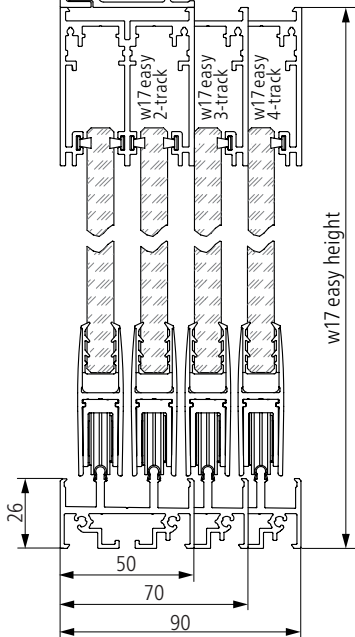
w17 easy

2 to 4-track on one side, 163 x 50 mm frame widener under roof support (standard)

2 to 4-track on one side, 115 x 50 mm frame widener under roof support (retrofitting)



**Note:**  
Drainage slots with cover caps provide additional controlled water drainage from the profiles.

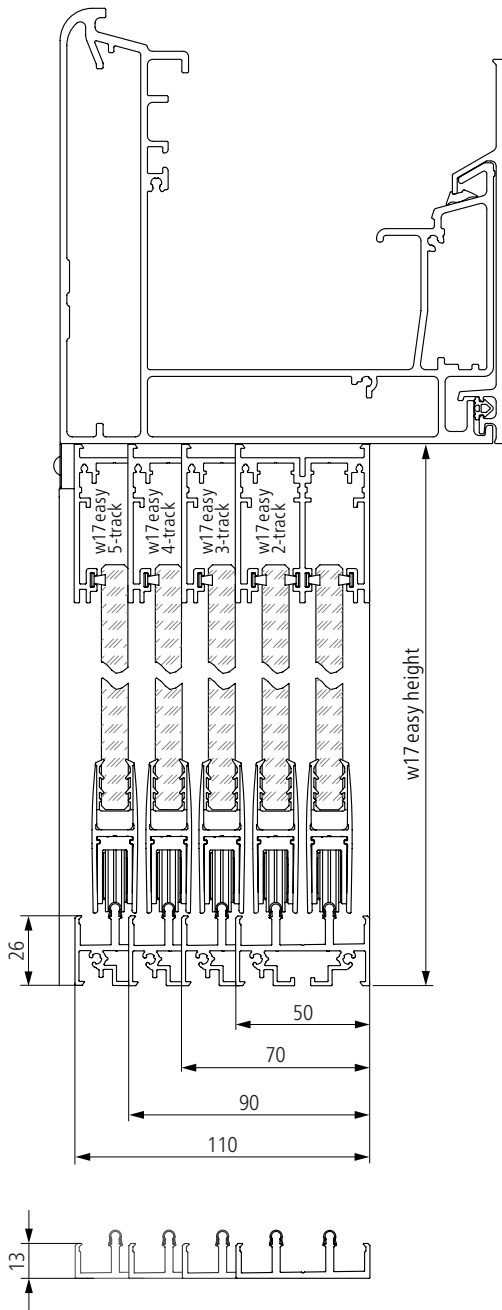


The appearance and technology of the side roof support can change with a partial wall connection. Please ask for availability



w17 easy

At the front between posts,  
2 to 5-track



At the front behind posts,  
2 to 5-track

