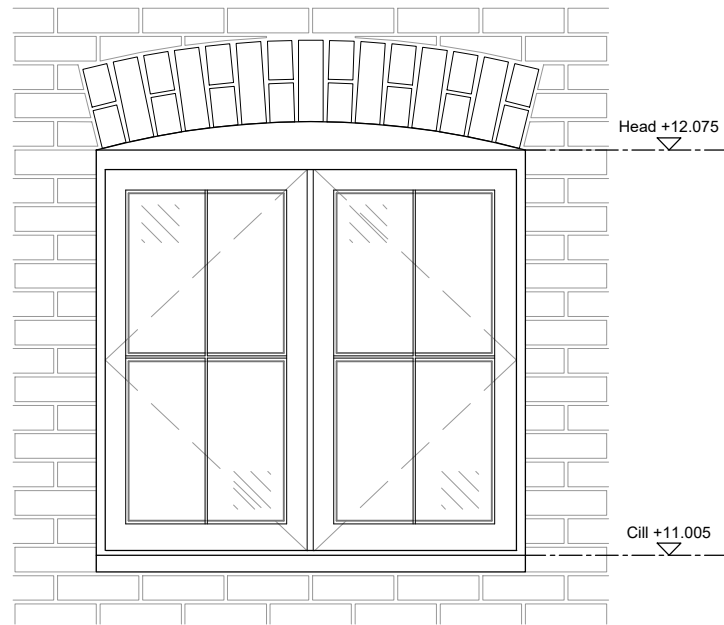
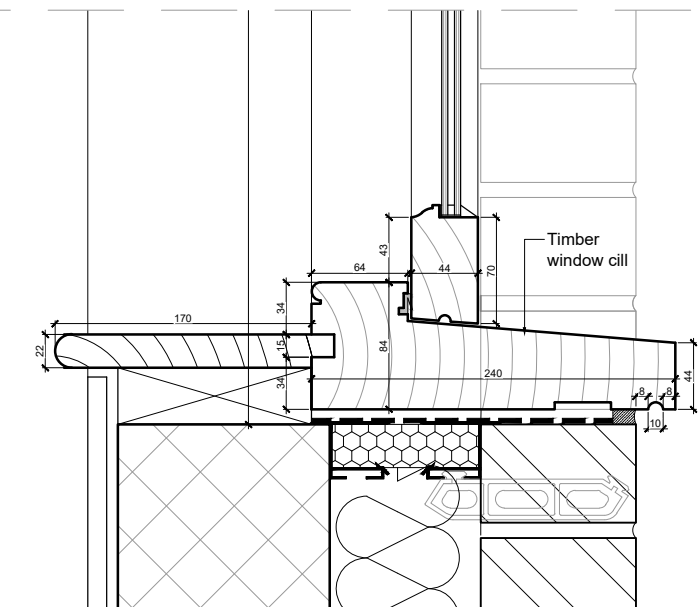
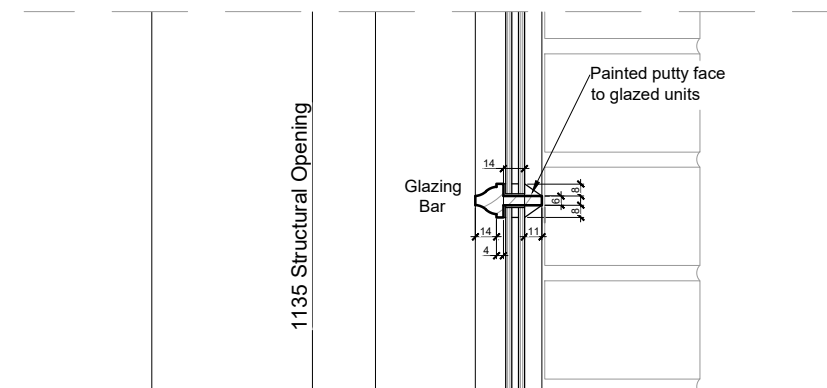
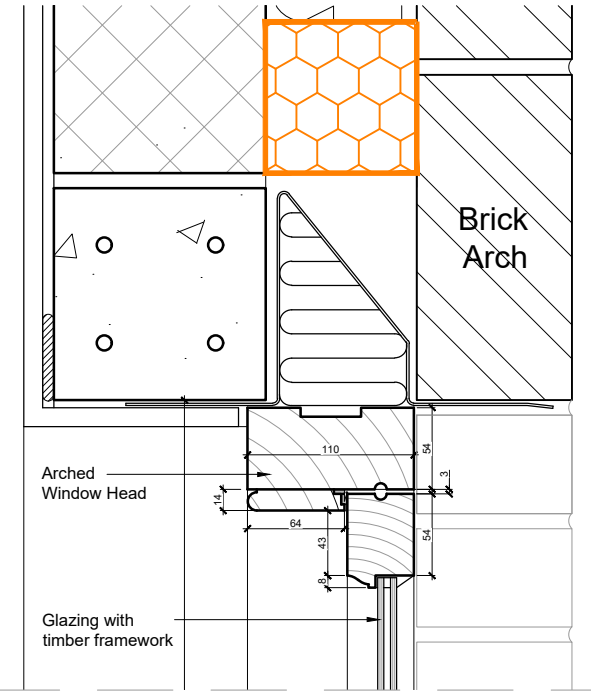


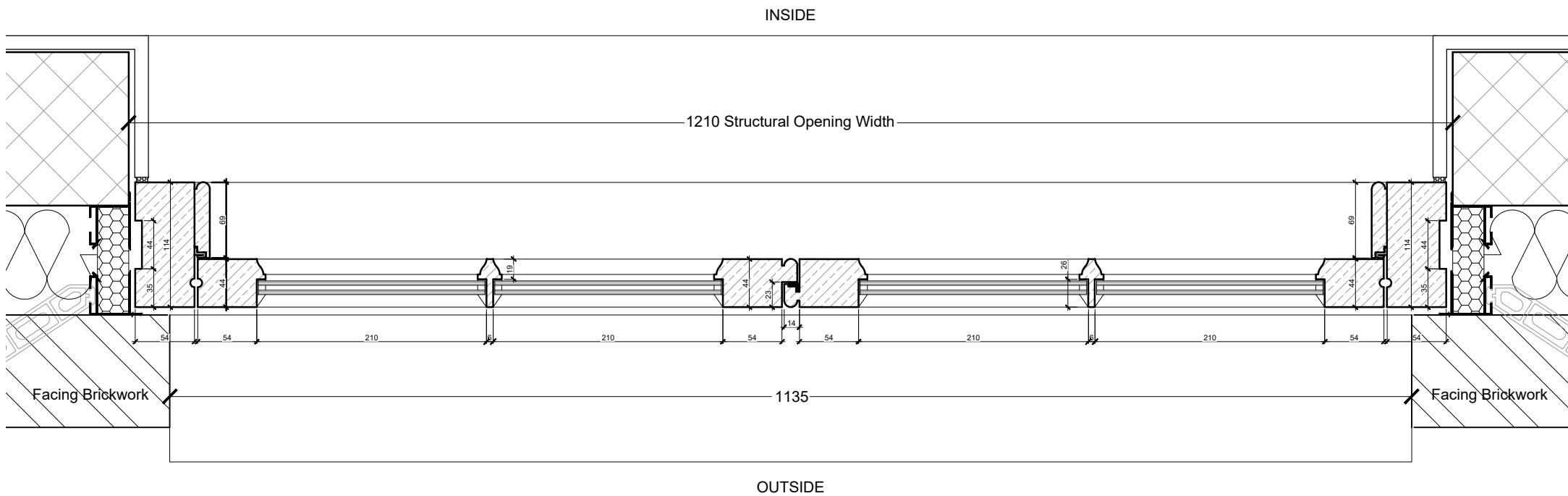
WEST ELEVATION REF (Scale 1:100 @ A3)



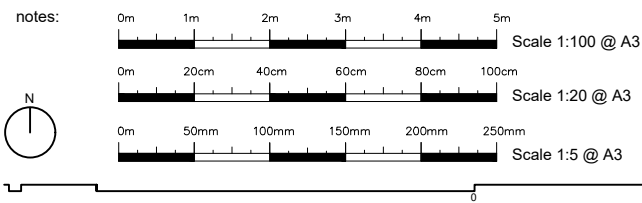
ELEVATION DETAIL - WINDOW W-01 (Scale 1:20 @ A3)



SECTION DETAIL - WINDOW W-01 (Scale 1:5 @ A3)



PLAN DETAIL - WINDOW W-01 (Scale 1:5 @ A3)



revisions: A | 06.03.2024 | LR | Updated to include scale bar for elevations

revisions:



NOTE: The contractor is responsible for checking all site dimensions and levels. These should be checked prior to the ordering of any components and before the commencement of the works. All discrepancies should be brought to the attention of the Contract Administrator.

Mr & Mrs Cornell
Corner Cottage
 High Street, Bosham



Window W-01	Joinery Details	title	:	
status	:	Information	:	
date	:	Jan 24	:	
scale	:	1:5 @ A3	:	
drawn	:	LR	:	
checked	:	JT	:	
		job:	5961	dwg: 6102
				rev: A

PWP Architects Ltd 61 South Street, Havant, Hampshire PO9 1BZ
 t: 02392 482494 f: 02392 481152
 e: design@pwp-architects.com
 w: www.pwp-architects.com