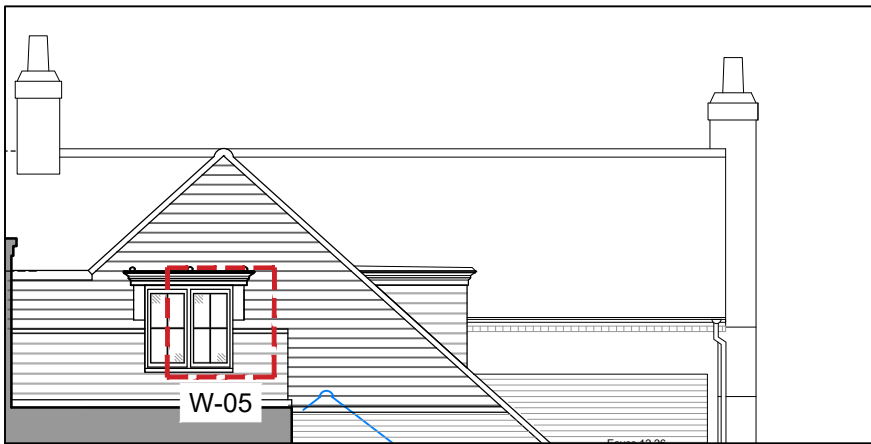
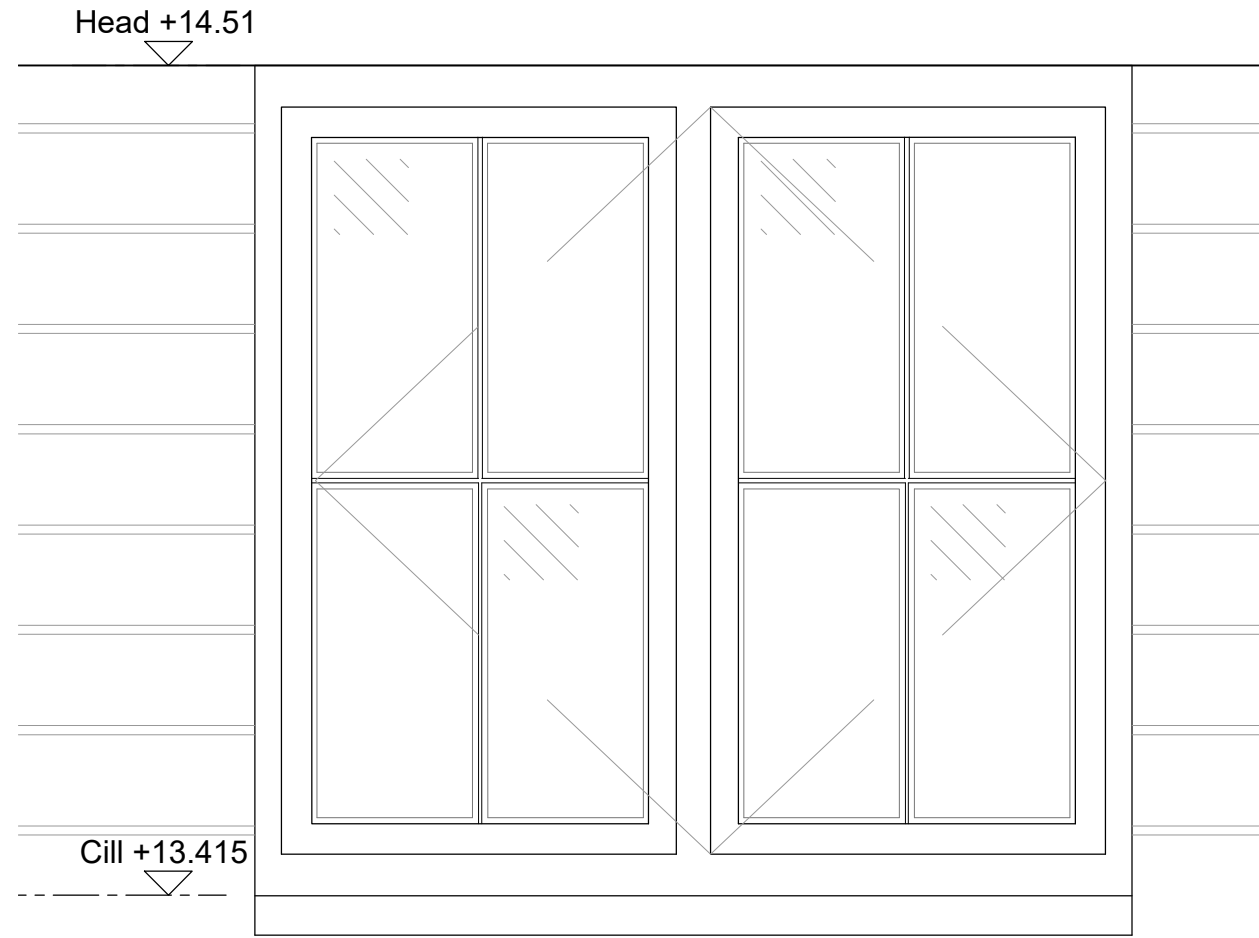




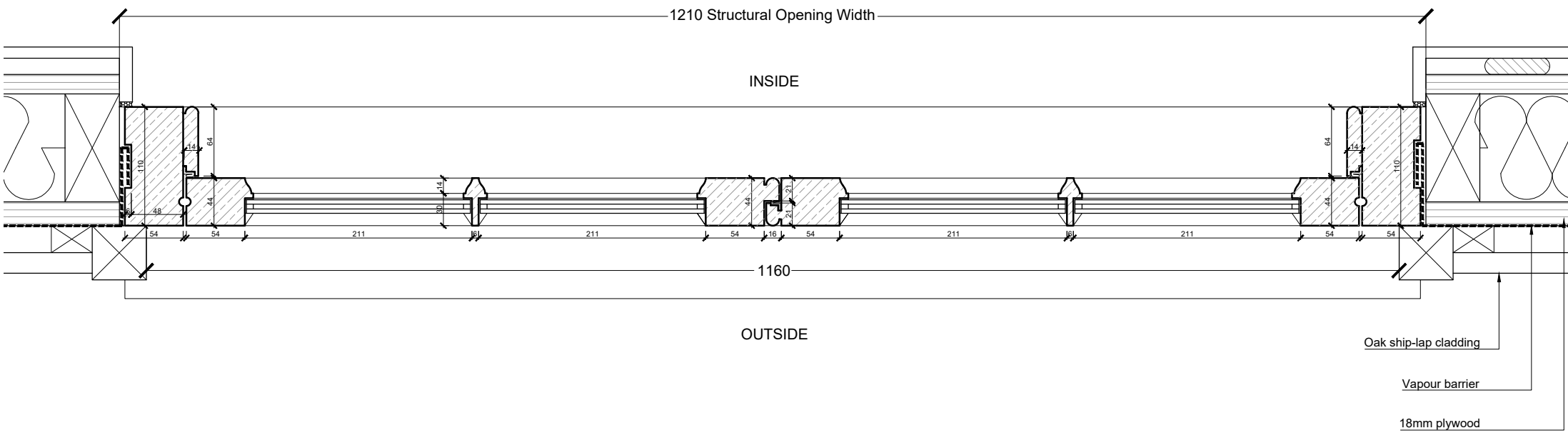
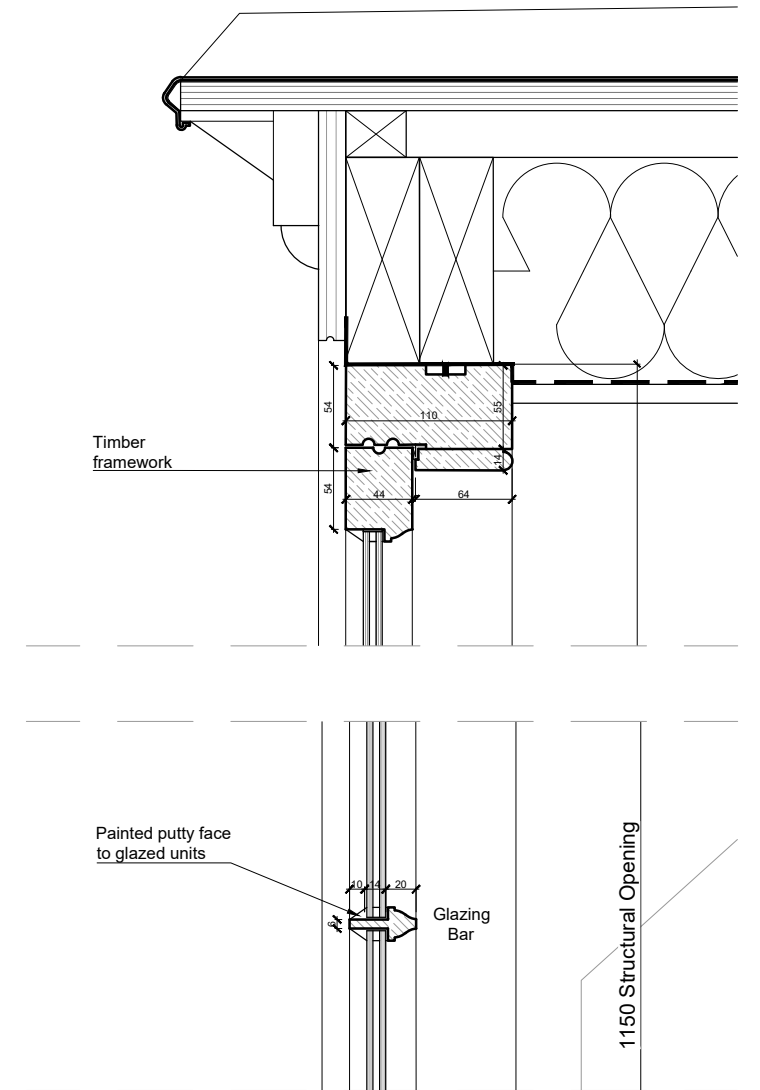
WEST ELEVATION REF (Scale 1:100 @ A3)



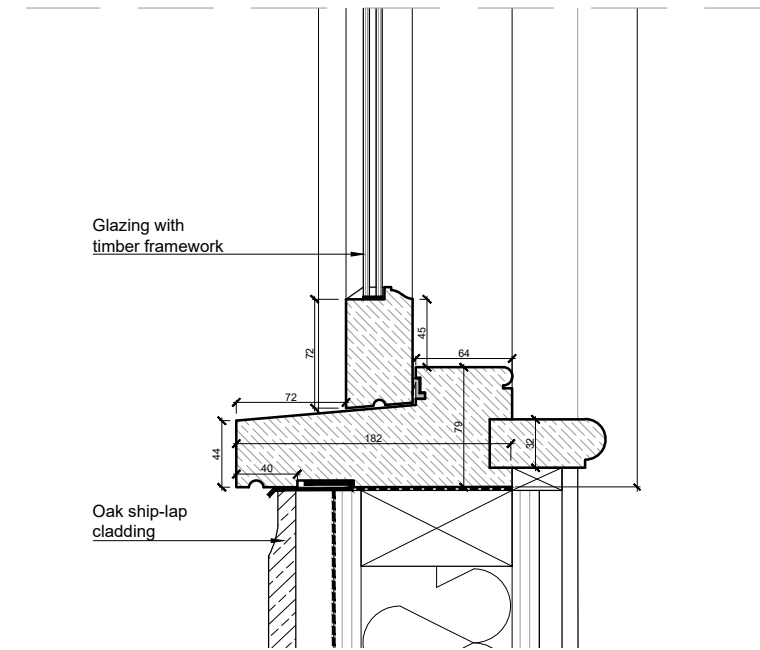
NORTH ELEVATION REF (Scale 1:100 @ A3)



ELEVATION DETAIL - Window W-04 and W-05 (Scale 1:10 @ A3)



PLAN DETAIL - Window W-04 and W-05 (Scale 1:5 @ A3)



SECTION DETAIL - Window W-04 and W-05 (Scale 1:5 @ A3)

notes:

revisions:

revisions:



0m 50mm 100mm 150mm 200mm 250mm
Scale 1:5 @ A3

100mm @ A3

NOTE: The contractor is responsible for checking all site dimensions and levels. These should be checked prior to the ordering of any components and before the commencement of the works. All discrepancies should be brought to the attention of the Contract Administrator.

Mr & Mrs Cornell
Corner Cottage
High Street, Bosham



drawing information title : **Joinery Details
Window W-04 & W-05**
status : Information
date : Jan 24
scale : 1:5 @ A3
drawn : LR
checked : JT

PWP Architects Ltd 61 South Street, Havant, Hampshire PO9 1BZ
t: 02392 482494 f: 02392 481152
e: design@pwp-architects.com
w: www.pwp-architects.com

job: 5961 dwg: 6105 rev: /