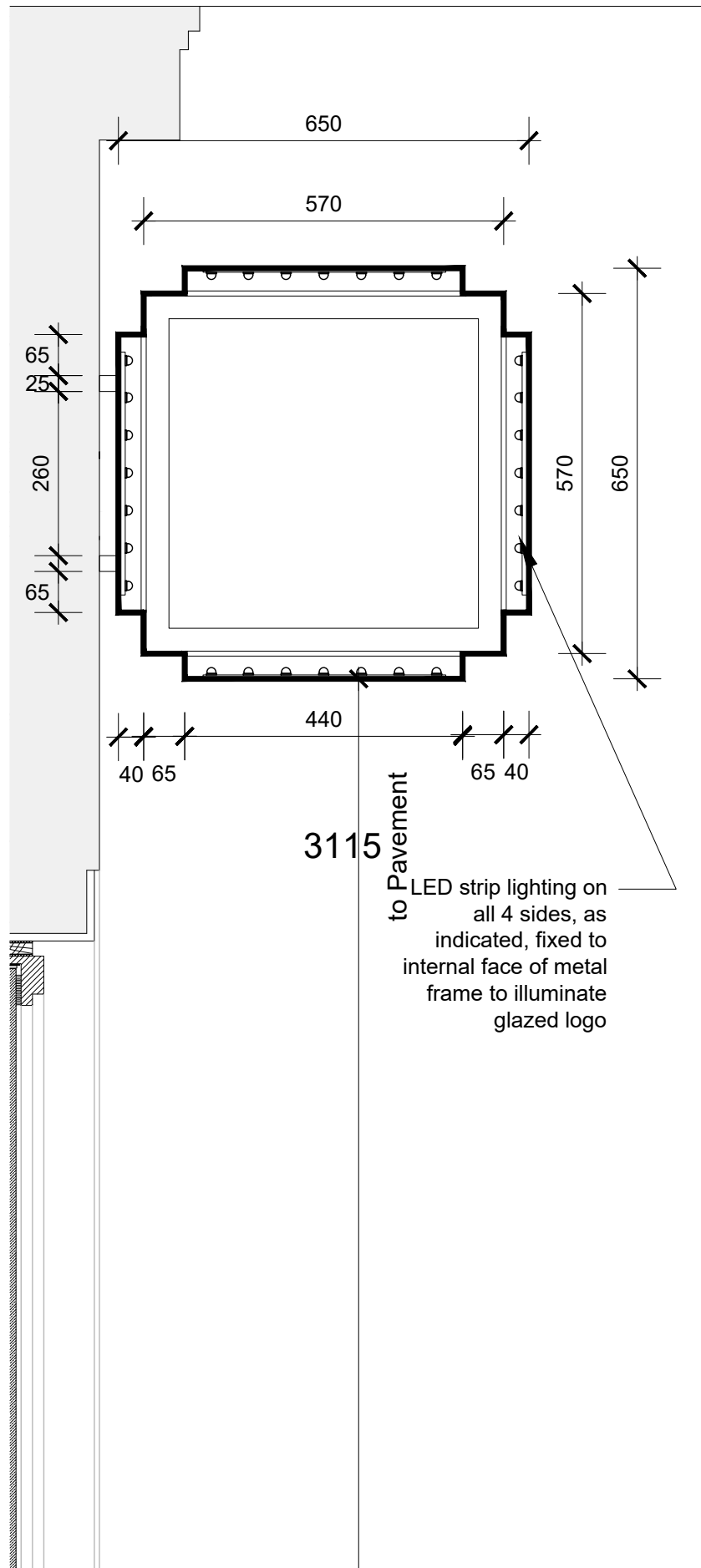
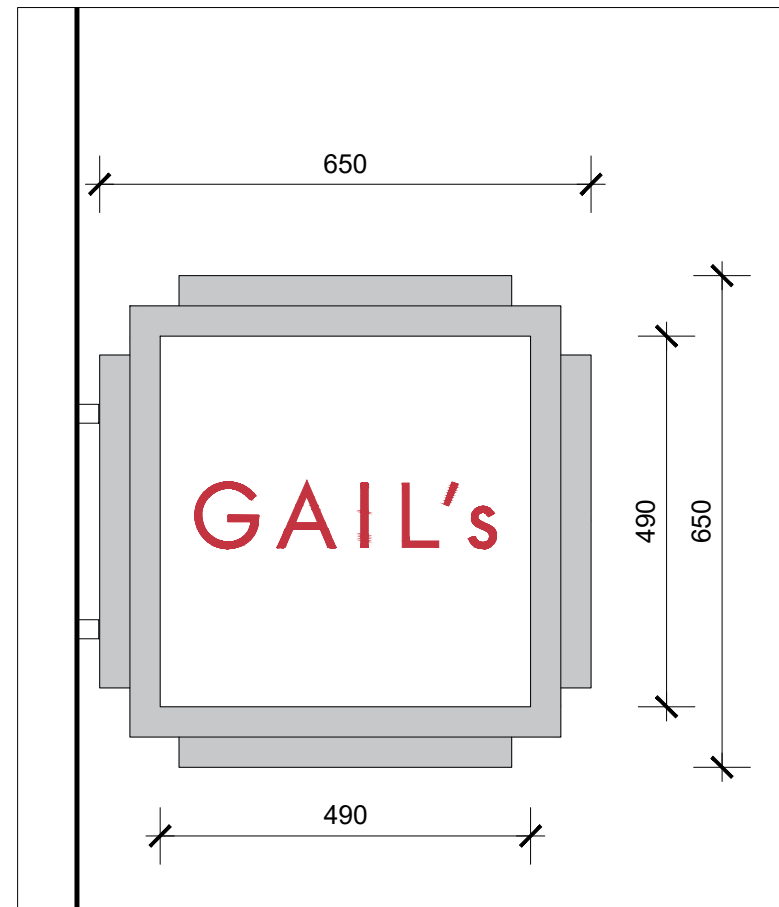


do not scale from this drawing.
contractor to take and check all dimensions on site before commences. discrepancies to be reported to architect. subcontractor to verify all dimensions on site before making shop drawings or commencing manufacture.

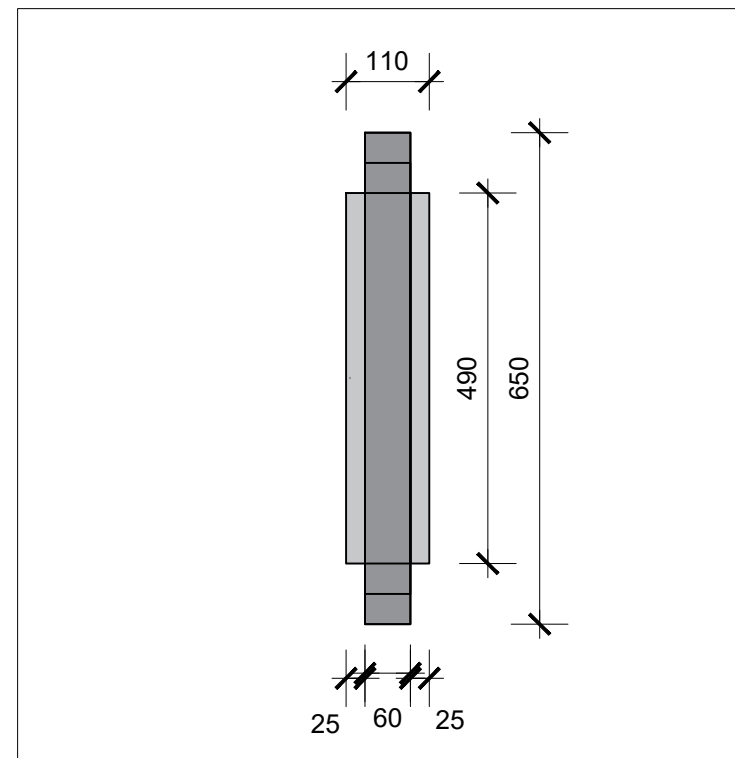
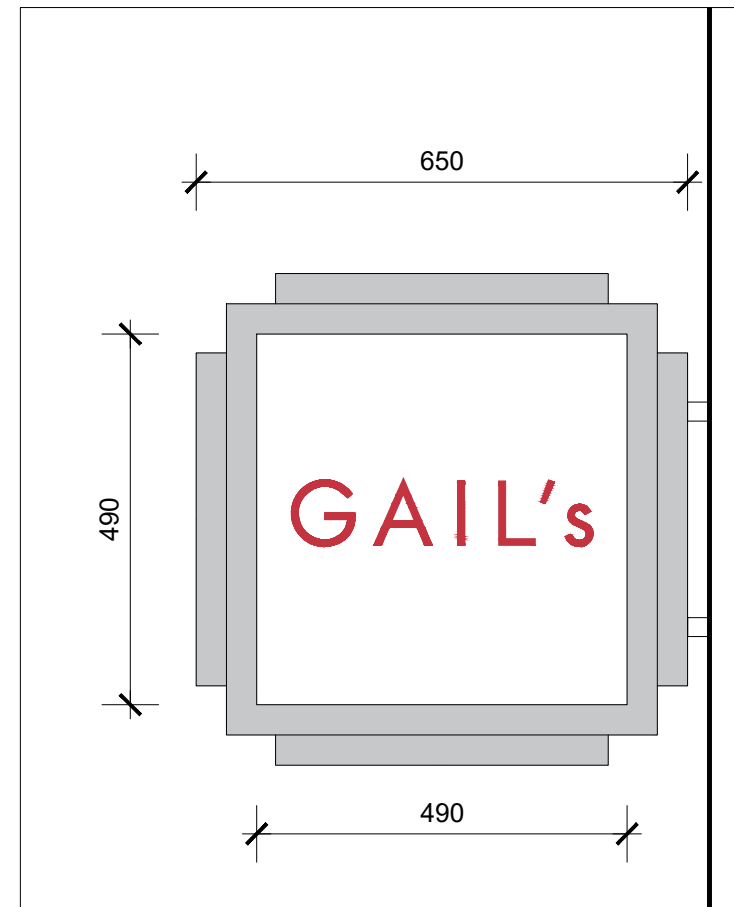
this drawing is copyright.



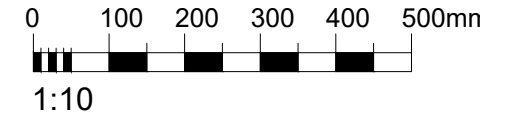
projecting sign section 1:10



projecting sign elevations 1:10



projecting sign end elevation 1:10



Projecting Sign:

- Polished stainless steel stepped surround frame
- Face: glass with white coloured film on inside face with red letters
- Internally illuminated with all round LED strip lighting, illumination level 400 lumens

A	11.03.24	Logo reduced
REV	DATE	AMENDMENT

STUDIO SERRE
La Serre
Rue du Camp au Pretre
St.Pierre du Bois
Guernsey GY7 9DS
+44 7789483319
maria@studioserre.co.uk

Project 35 Melcombe Street Signage		
Status Advertisement Application		
Drawing Proposed Signage projecting sign, section, elevations		
Drwg No : 425_21_603	Scale : 1:10@A3	Date : 22.02.24