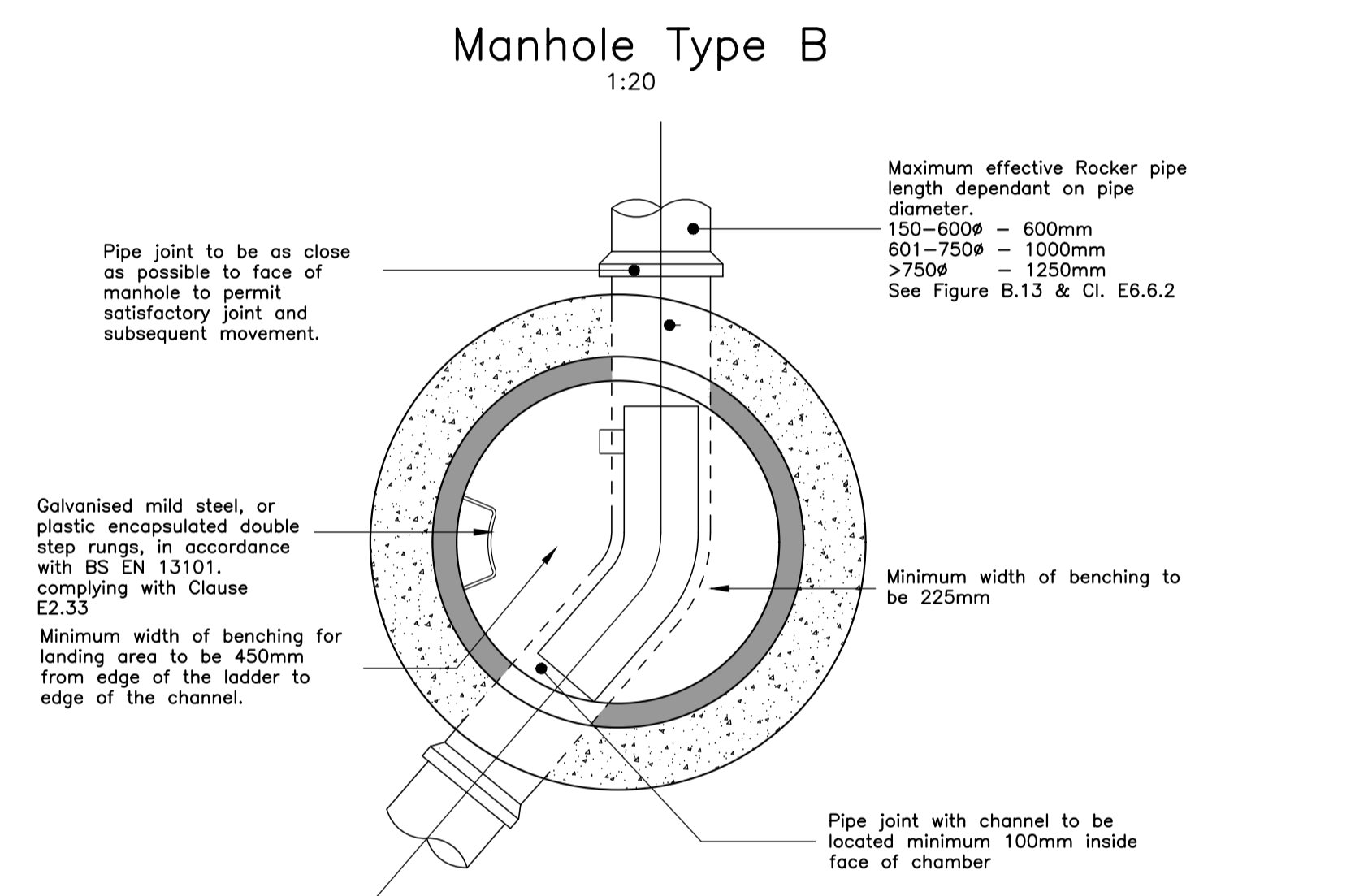
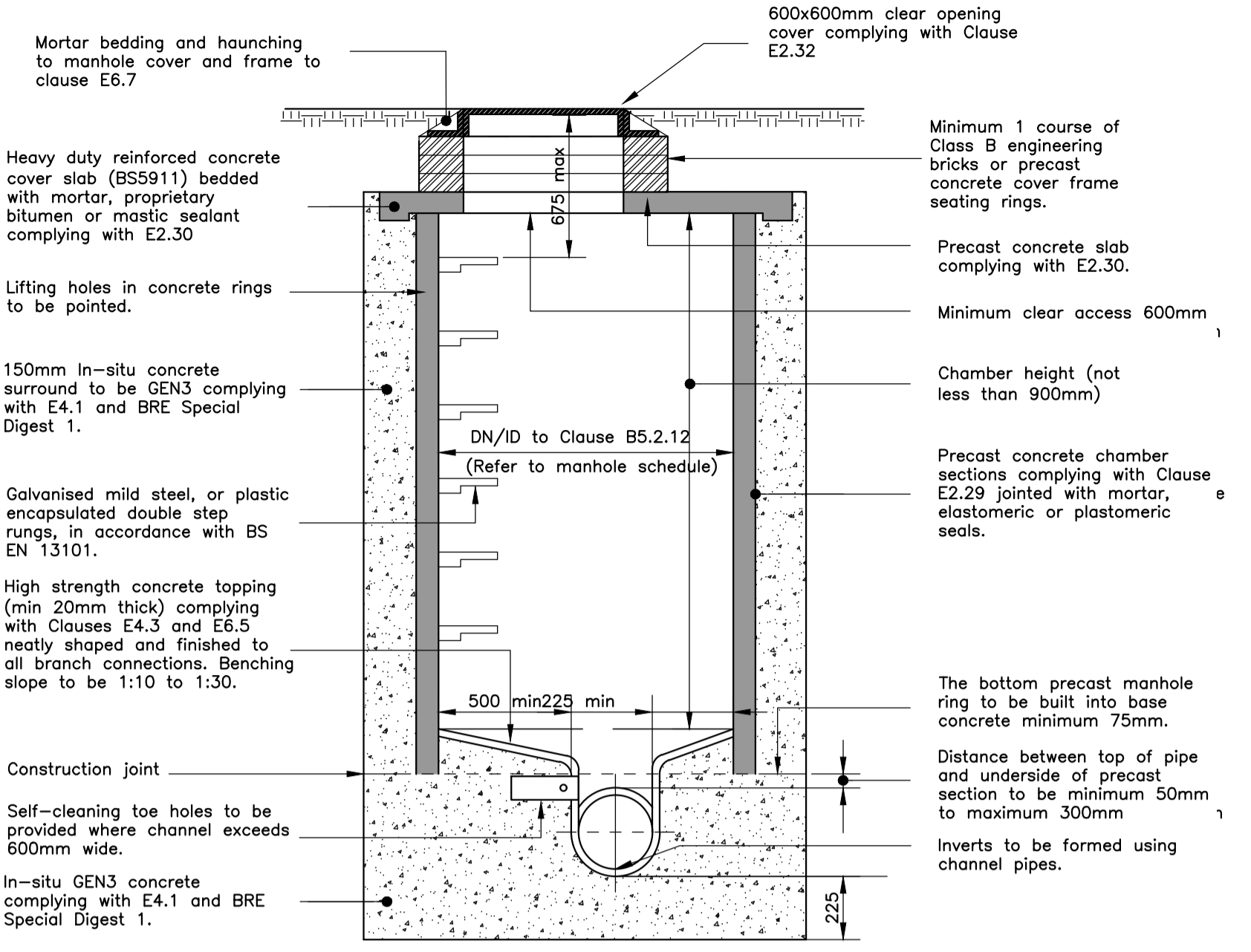
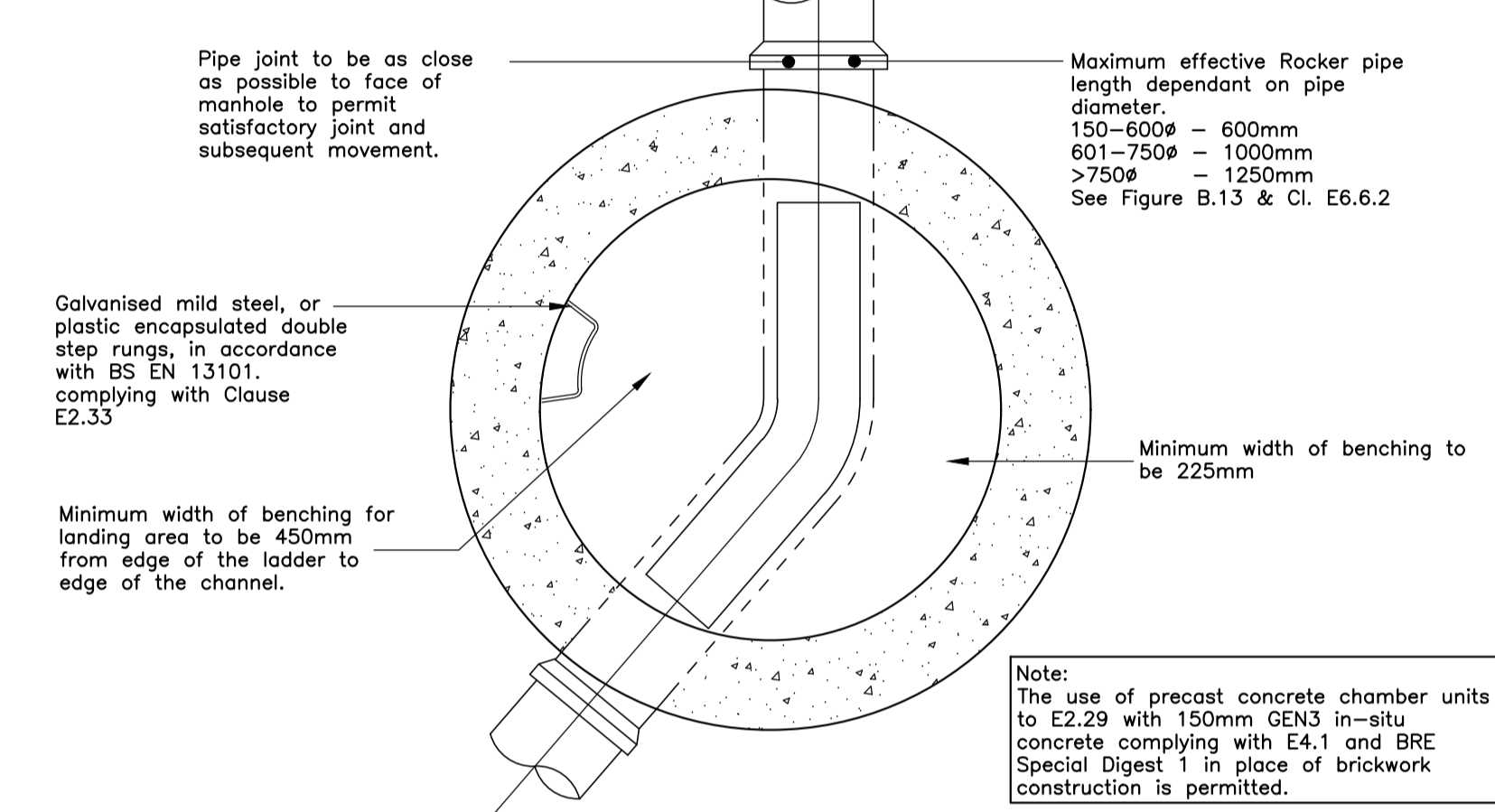
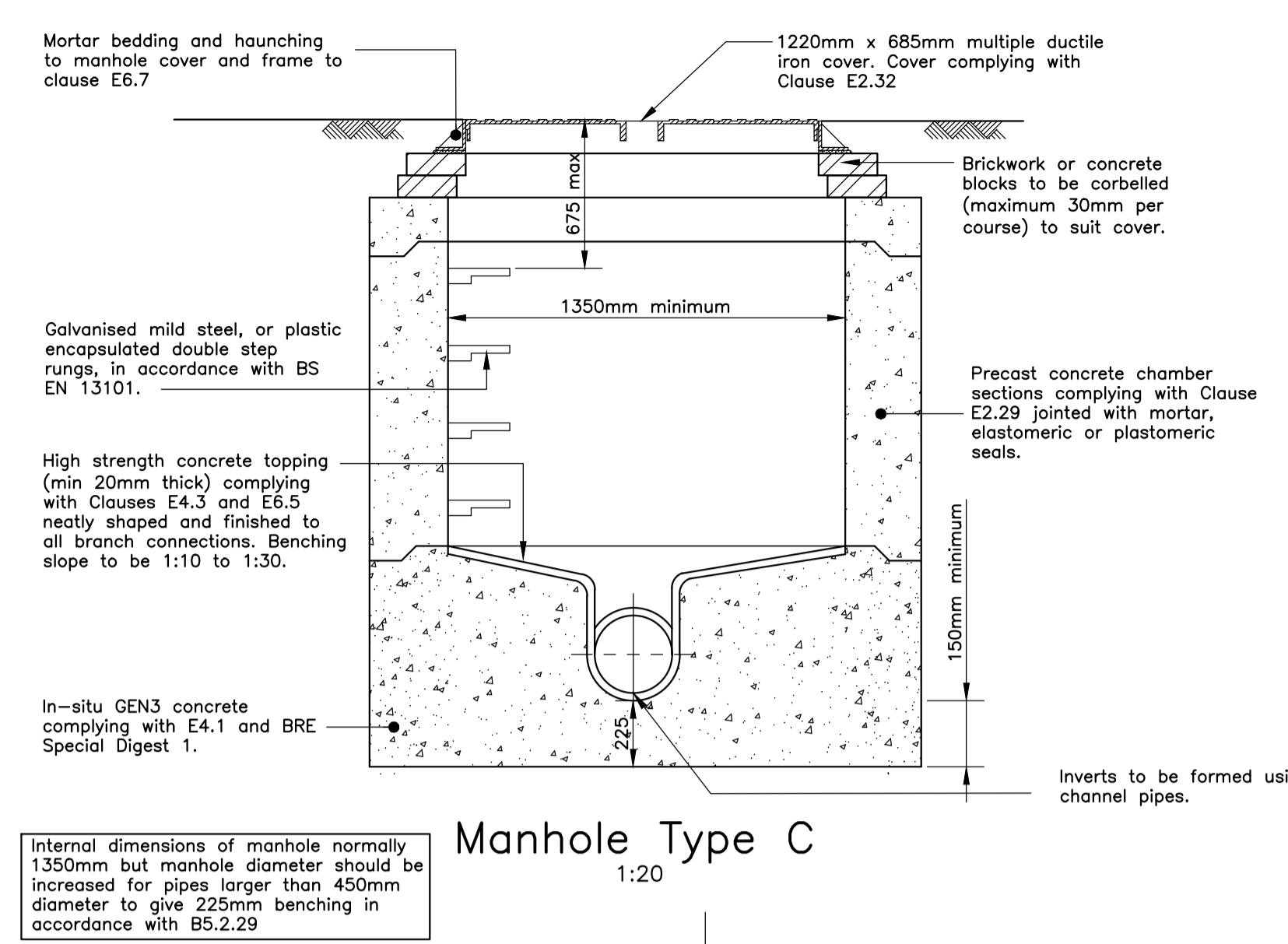


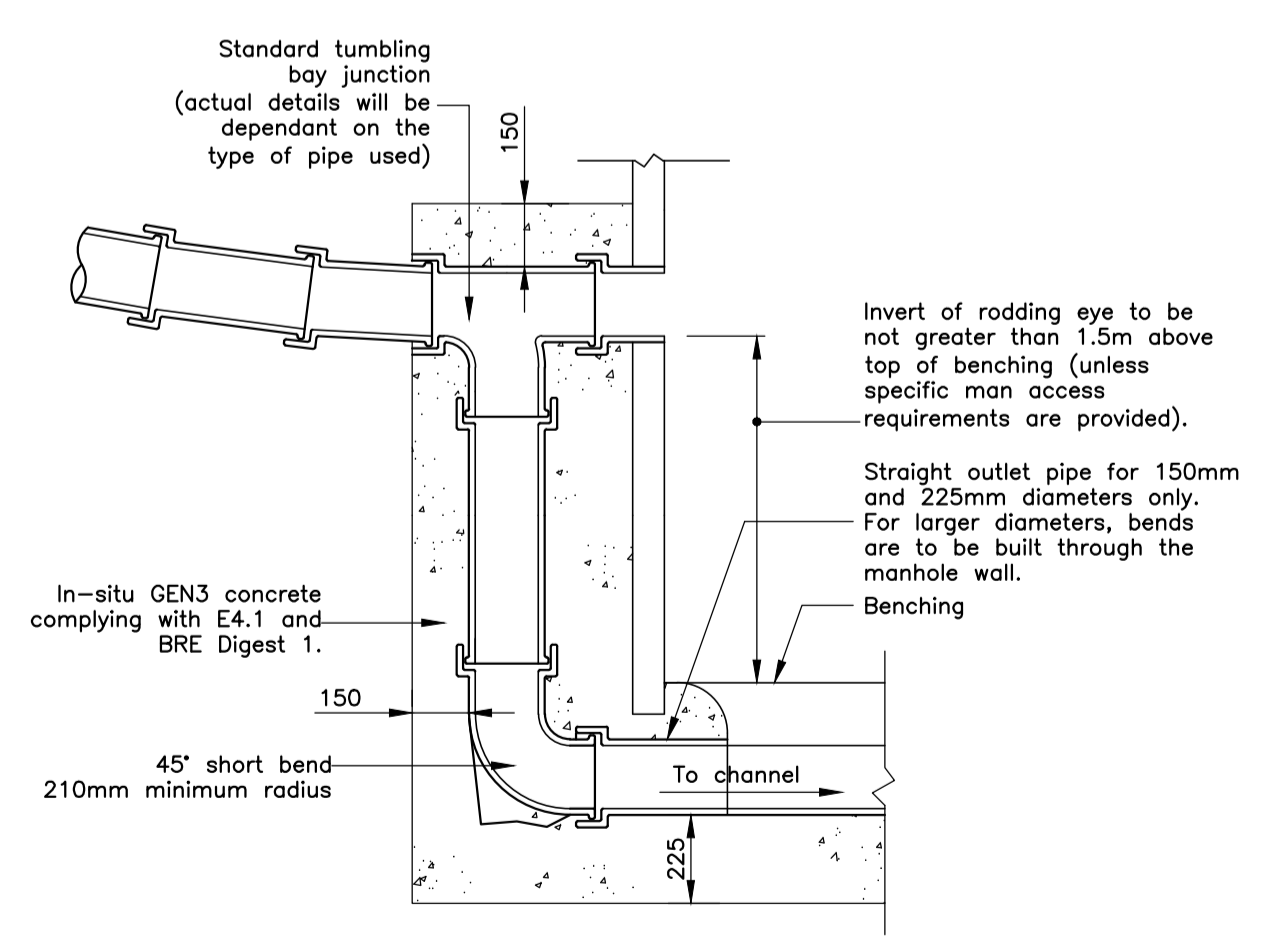
**Typical Manhole Detail – Type A1/A2**  
(Depth 3.0–6.0m from Cover Level to Soffit Level)



**Manhole Type B – Plan**  
(Depth 1.5–3.0m from Cover Level to Soffit Level)



**Manhole Type C – Plan**  
(Depth <1.5m from Cover Level to Soffit Level)



**Typical Vertical Backdrop Detail**  
NTS

- Notes:
- This drawing shall be read in conjunction with all relevant engineers drawings. Any discrepancies found between information shown on this or any other drawing shall be Reported to the Walkers Associates engineer immediately and prior to works commencing on site.
  - All adoptable drainage works shall be undertaken strictly in accordance with Sewers for Adoption 8th Edition.
  - Type A granular bedding shall consist of 14mm single sized pea shingle to TABLE 1 of BS 882 part 2 1973.
  - Selected fill type B shall consist of uniform readily compactable material free from tree roots, vegetable matter, building rubbish and frozen soil and excluding clay lumps retained on a 75mm sieve and stones larger than the maximum size permitted on any adjacent type of bedding material.
  - Where concrete bed and surround is specified joint filler should be provided AT every joint. The filler may be expanded polystyrene 25mm thick or flexcell cut to the shape of the bed and surrounded and such that the ingress of concrete into the pipe is prevented.
  - To allow for possible differential movement a flexible joint must be incorporated in each section of pipeline within 150mm of where it enters a building or connects with a manhole, wall or other structure – see manufacturers instructions
  - All pipework generally to be bedded as follows:
    - (i) Under vehicular areas where cover is less than 900mm under pedestrian areas where cover is less than 600mm } concrete bed and surround.
    - (ii) Under vehicular areas, pedestrian areas where depths given in (i) are exceeded; } class S bedding.
  - All private drainage beneath adoptable carriageway shall be verified clay extra strength and with concrete bed and surround should cover depth be less than 1.2m.
  - All concrete at or below ground level on site shall be able to withstand class 2 sulphate concentrations in accordance with BRE digest 363

REV	DATE	AMENDMENT	BY	CHKD
B	31.07.23	Issued for construction	LW	LW
A	08.08.22	Backdrop detail added	LW	LW

STATUS **Construction**

PROJECT  
**Ockham Road  
East Horsley**

CLIENT  
**Taylor Wimpey**

DRAWING  
**Adoptable Drainage  
Construction Details  
Sheet 2 of 2**

DATE 24.06.22 DRAWN BY **DJB**  
SCALES (A1)- As shown CHECKED BY **LRW**

DRG NO. **C7476/CE27B**