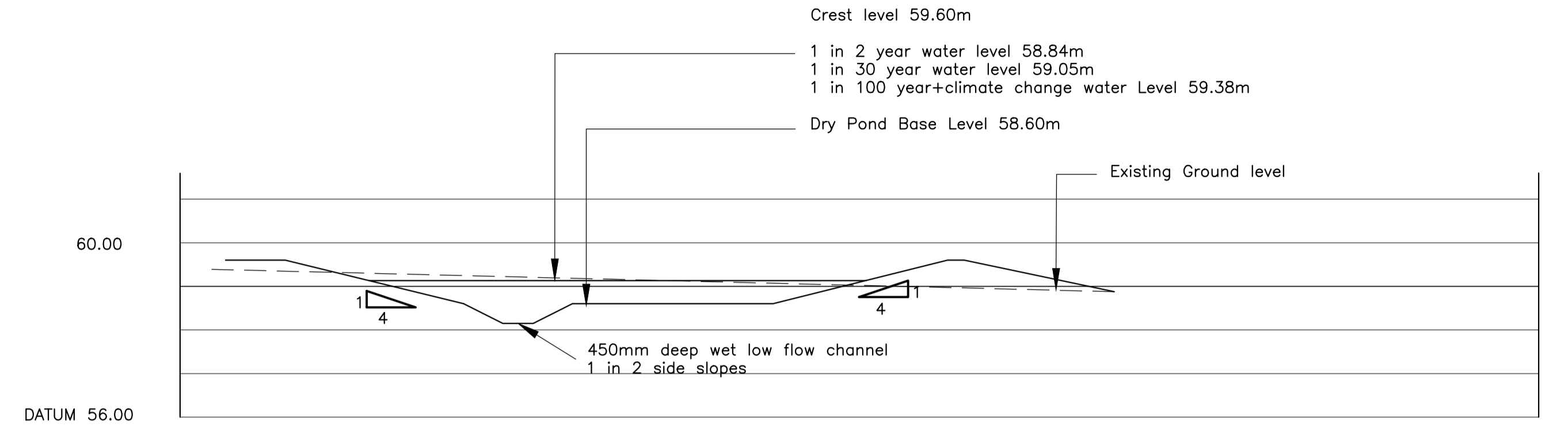
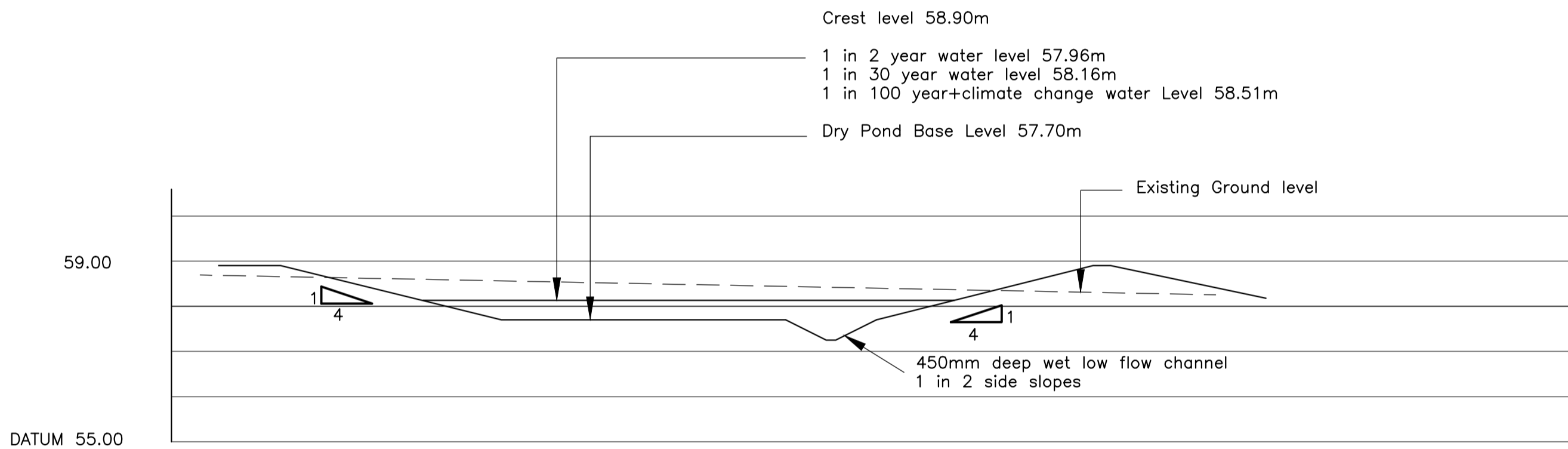


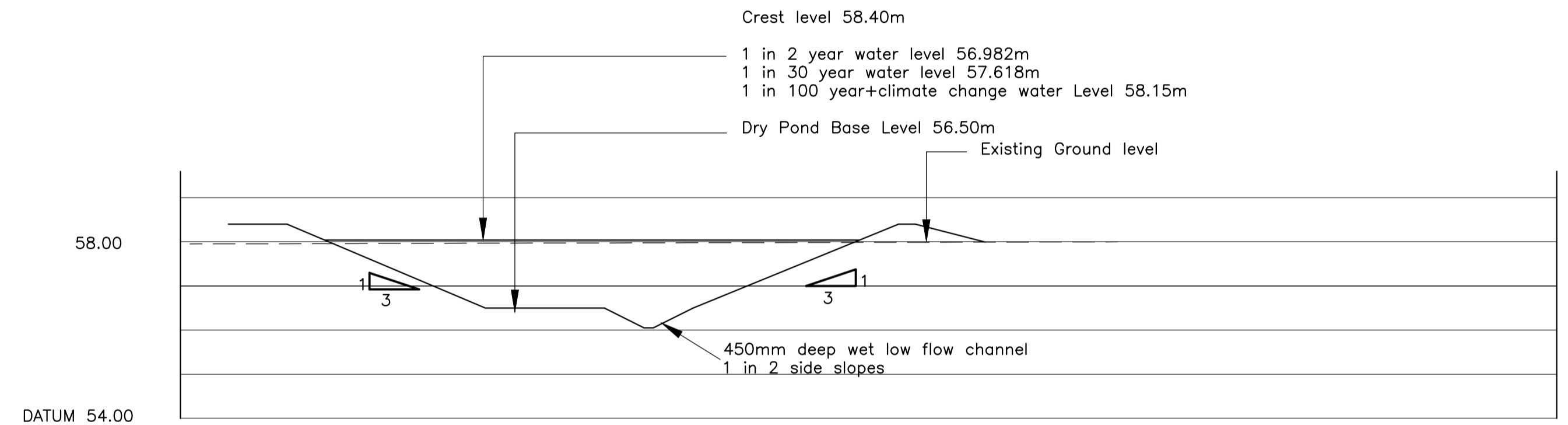
Pond 1 Section 1-1  
 1:100



Pond 2 Section 2-2  
 1:100



Pond 3 Section 3-3  
 1:100



Pond 4 Section 4-4  
 1:100

REV	DATE	AMENDMENT	BY	CHKD
A	13.02.24	Low flow channel added to pond 4	LK	LW

STATUS *Tender*

PROJECT  
 Ockham Road  
 East Horsley

CLIENT

DRAWING  
 Detention Basin  
 Sections

DATE 20.12.23 DRAWN BY *DJB*  
 SCALES (@A1): 1:100 CHECKED BY *LRW*

DRG NO. **C7476/CE50A**

Walker Associates Consulting Limited  
 Structural and Civil Engineers  
 13 Capricorn Centre  
 Cranes Farm Road  
 Basildon, Essex  
 SS14 3JF  
 01268 530 500  
 walker-associates.co.uk