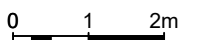


**PROJECT NOTES**

Height to Panels: 600 mm  
 Panel Pitch: 25°  
 Indicative Layout - Subject to Site Survey.



REV	DATE	COMMENTS	BY
1	11/12/2023	Initial Layout	GP
2	24/01/2024	Updated to 505W modules	GP
3	-	-	-
4	-	-	-
5	-	-	-
6	-	-	-
7	-	-	-

**Total Install Capacity:**  
 252 x 505W = 127.26kWp

**SYSTEM INFORMATION**

Equipment	Manufacturer	Model
Module	JA	JAM66S30 505/MR
Inverter	Huawei	1 x 50KTL 1 x 40KTL
Mounting System	Alumero	Landscape 2.2

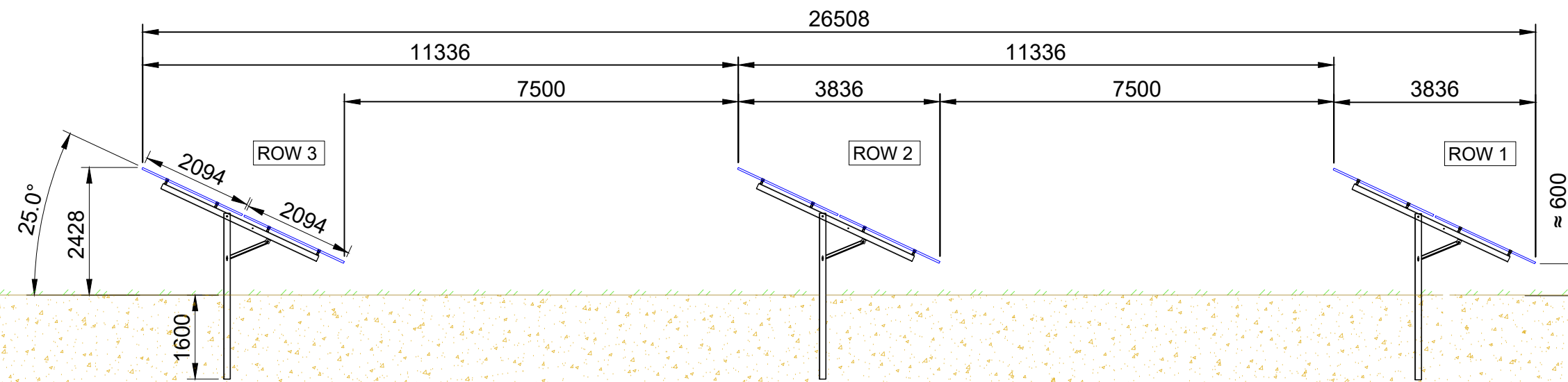
Client	Primrose Hill Farm		
Address	Primrose Hill Farm, Bardney Road, Wragby, Lincolnshire, LN8 5JE		
Drawing	Side Profile		
Drawn by:	GP	Checked by:	RS
Scale	1 : 100 @ A3		
Drawing No:	Q52844a_006		
Status	Proposed		

**BeBa Energy UK Ltd**  
 Unit 11, Sovereign Park,  
 Cleveland Way,  
 Hemel Hempstead,  
 Hertfordshire,  
 HP2 7DA

Tel: 01442 220 100  
 Email: info@beba-energy.co.uk  
 www.beba-energy.co.uk



COPYRIGHT: ALL RIGHTS RESERVED. THIS DRAWING MUST NOT BE REPRODUCED WITHOUT PERMISSION FROM BEBA ENERGY UK LTD. DO NOT SCALE FROM THIS DRAWING. USE FIGURED DIMENSIONS ONLY. ALL DIMENSIONS MUST BE CHECKED ON SITE PRIOR TO STARTING WORK. ANY DISCREPANCIES TO BE REPORTED TO BEBA ENERGY UK LTD.



# JAM66S30 495 MR - 25° ALUMERO - 7.5m Spacing