



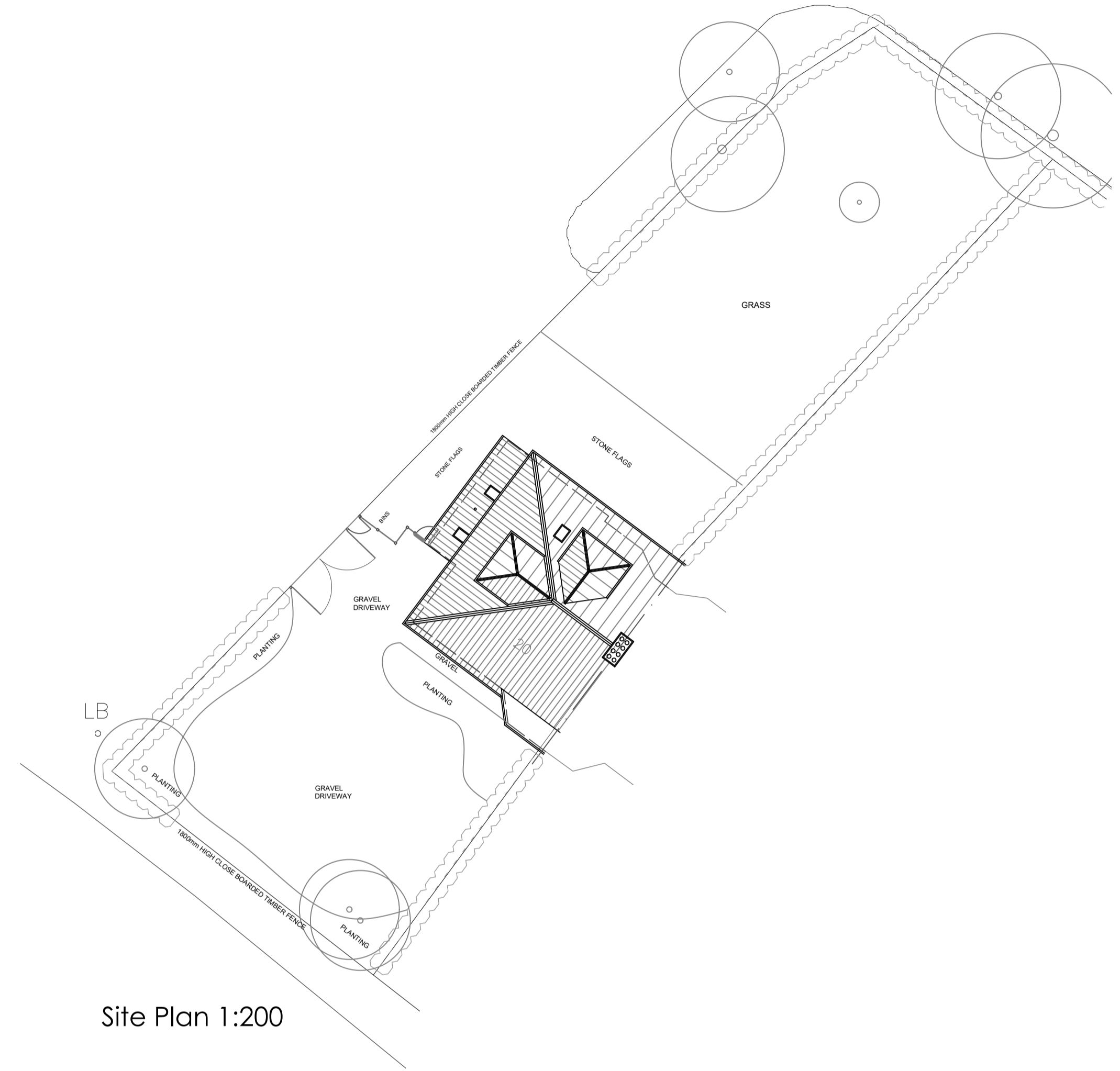
South West Elevation 1:100



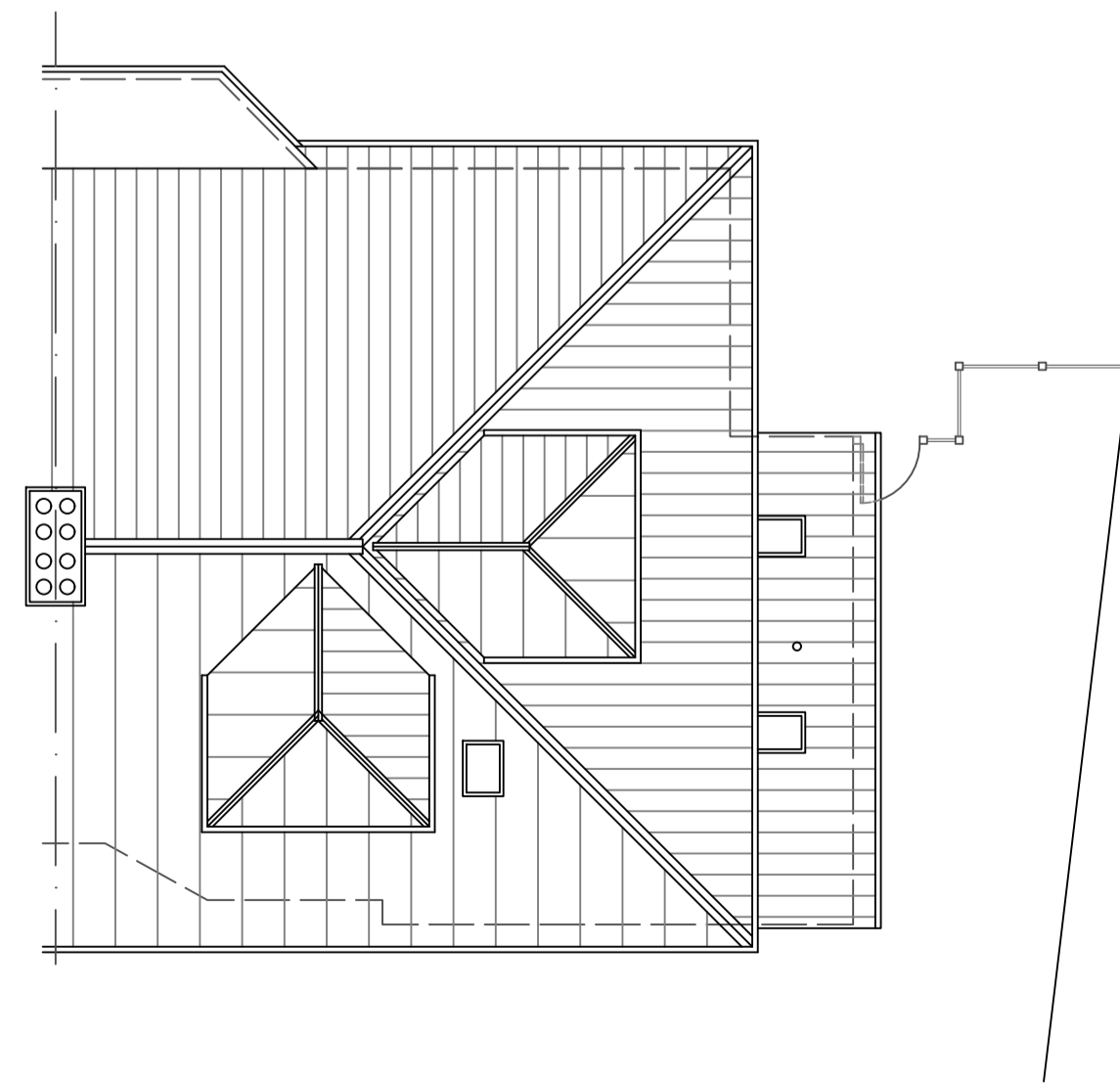
North West Elevation 1:100



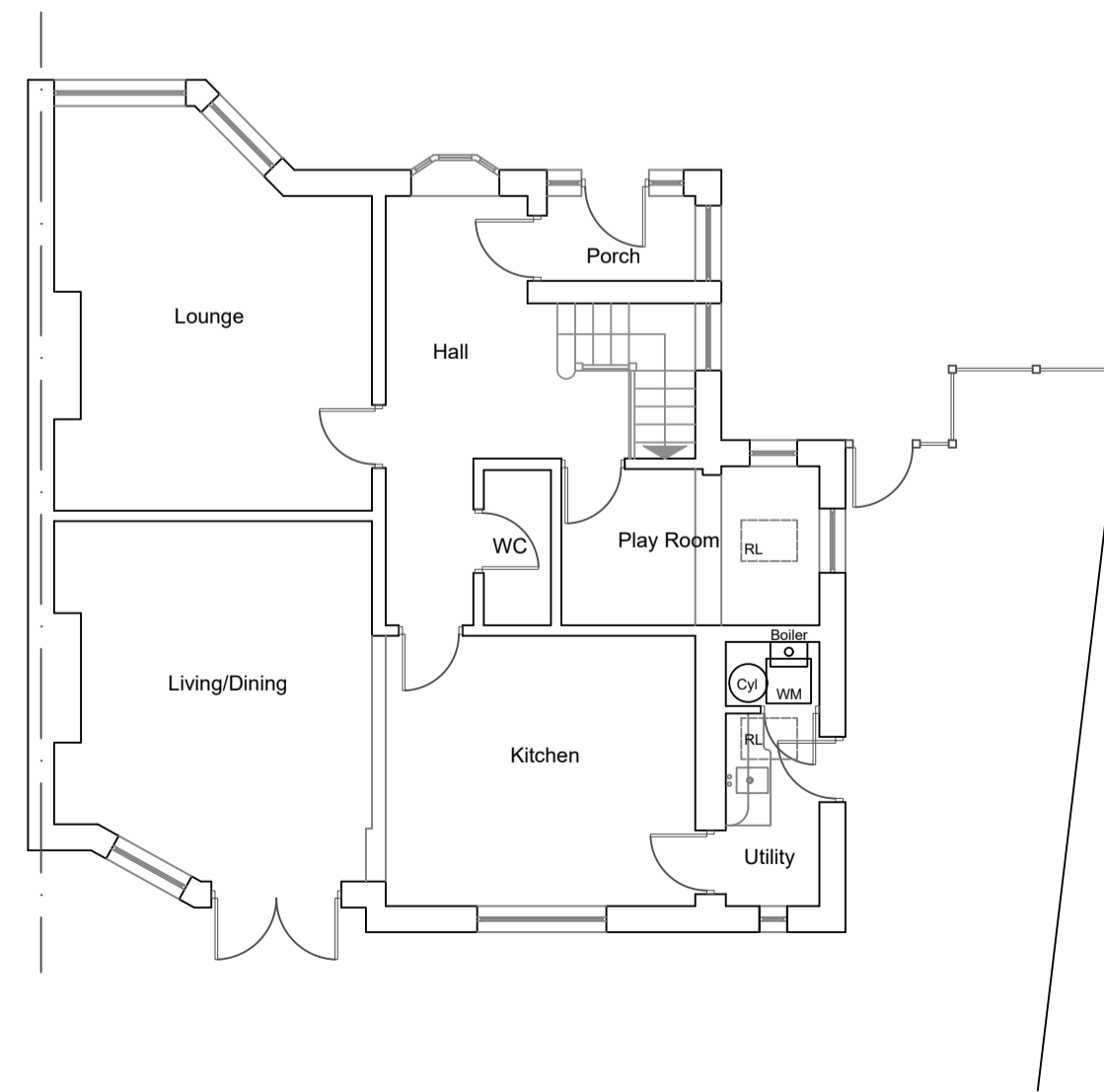
North East Elevation 1:100



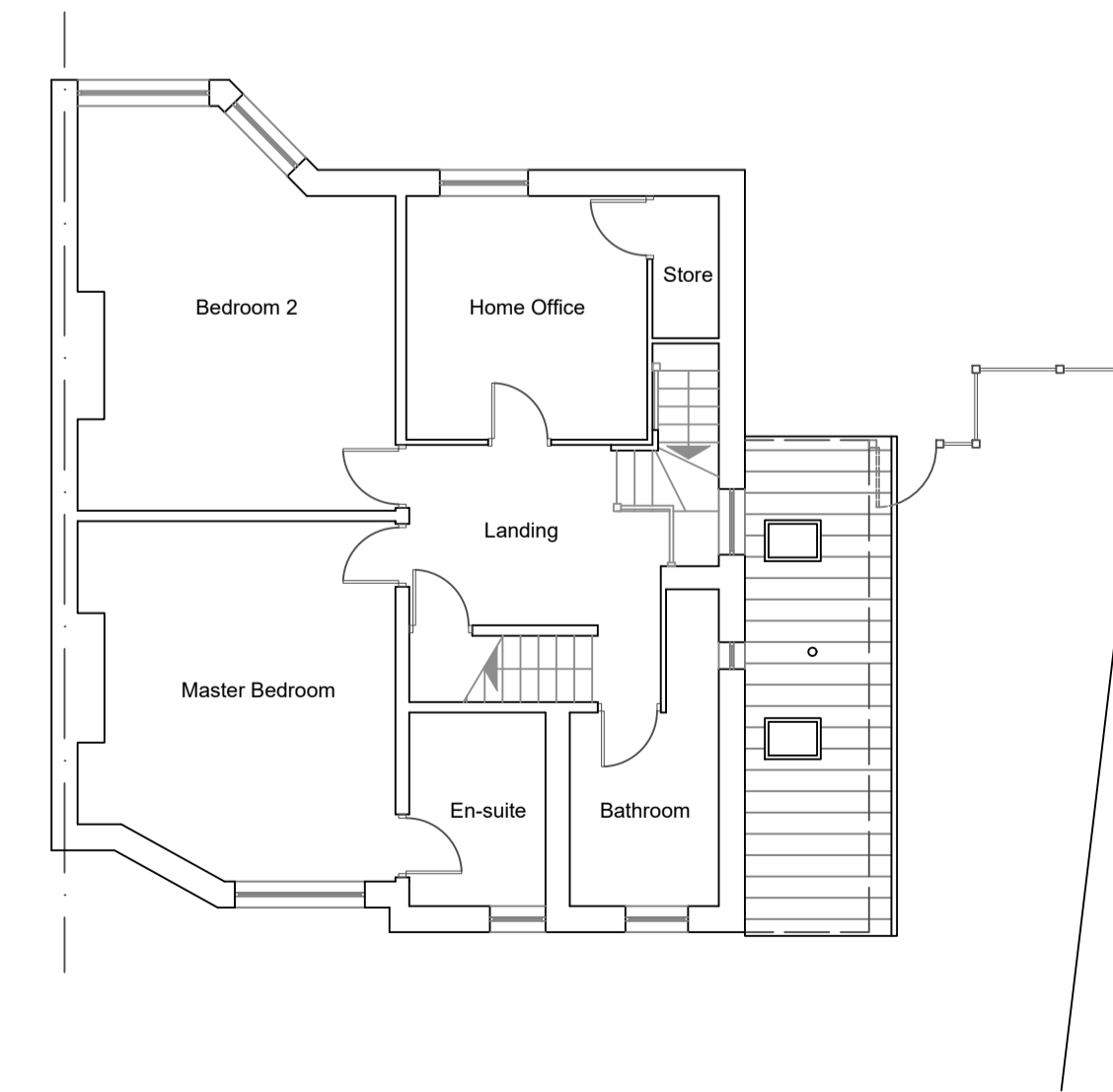
Site Plan 1:200



Roof Plan 1:100



Ground Floor Plan 1:100



First Plan 1:100

Project:
Proposed Extension & Alterations
at 20 Spofforth Hill,
Wetherby,
LS22 6SE

Client:
Mr M Pointon

Title:
Existing Plans; Elevations
& Site Plan

a + j architects
Ardnacree
School Lane
Collingham
Wetherby
LS22 5BD

tel: 01937 579200
e:mail@aj-architects.co.uk

Scale	Contract	Dwg.No.	Rev.
1:100 1:200 @ A1			
Date	Dec 2023	854/01	03
Drawn	Checked		
jap			