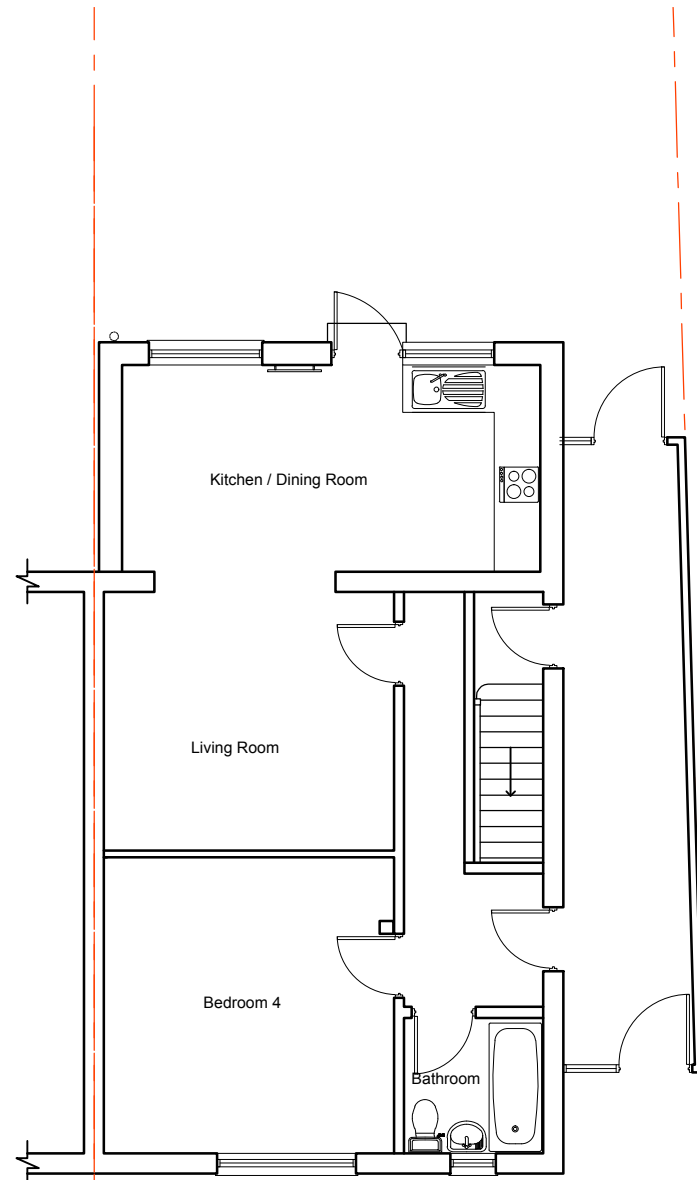
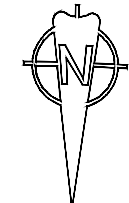


Notes

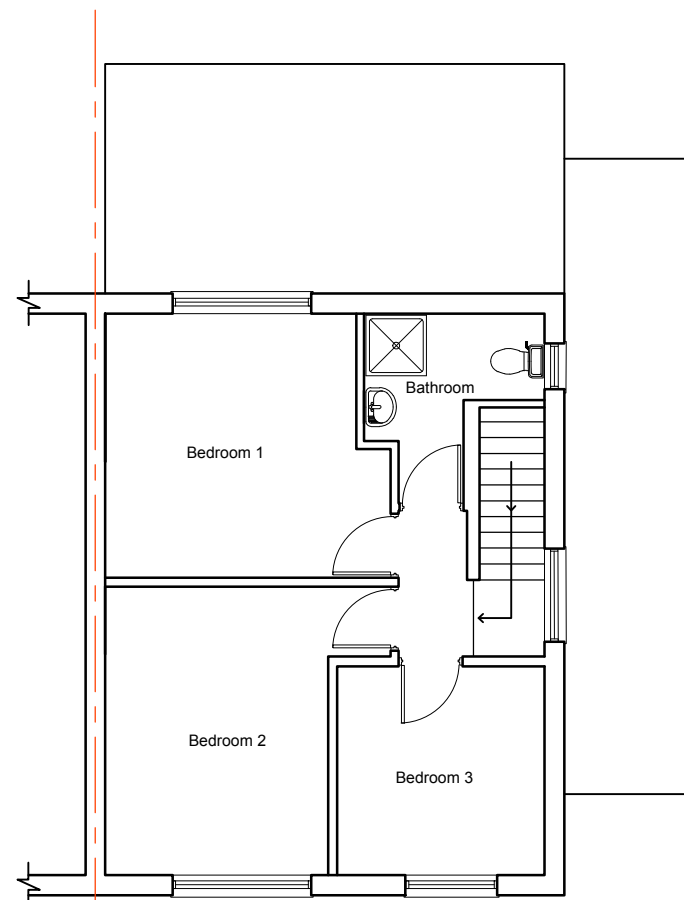
All dimensions to be checked by the Contractor before construction proceeds.

This drawing is the copyright of IntelliArch Limited and shall not be anyway used or reproduced without their prior written consent.

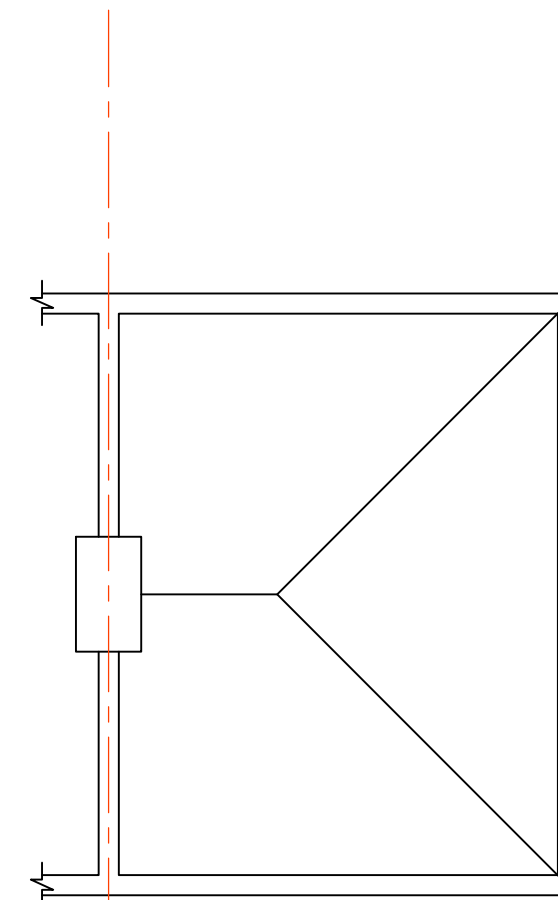
rev.	date.	dwn.
------	-------	------



Existing Ground Floor Plan



Existing First Floor Plan



Proposed Roof Plan

	Full site boundaries (234m²)
	Proposed new walls
	Existing walls
	Walls to be removed

FOR PLANNING

IntelliArch Ltd



Intelligent Architecture and Surveying
 52 Southbury Road, Enfield EN1 1YB
 T: 0204 537 37 11 M: 07956 296 076
 E: info@i-arch.co.uk W: www.i-arch.co.uk

project
 35 Chalfont Road
 London N9 9LZ

title
 Existing Ground & First Floor Plans

scale 1:100 @ A3	dwn AA
date 7th March 2024	chk MA

drg no. 1551-30	rev
---------------------------	-----