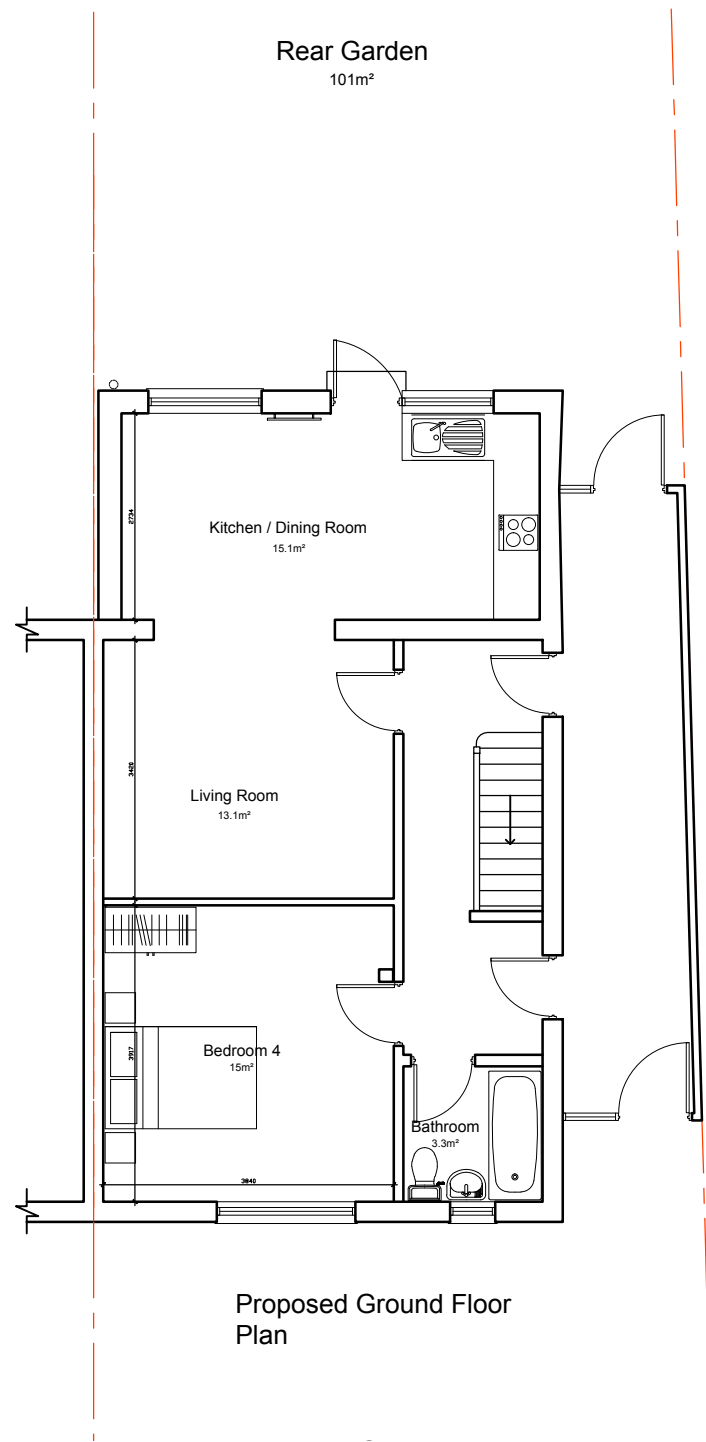


**Notes**

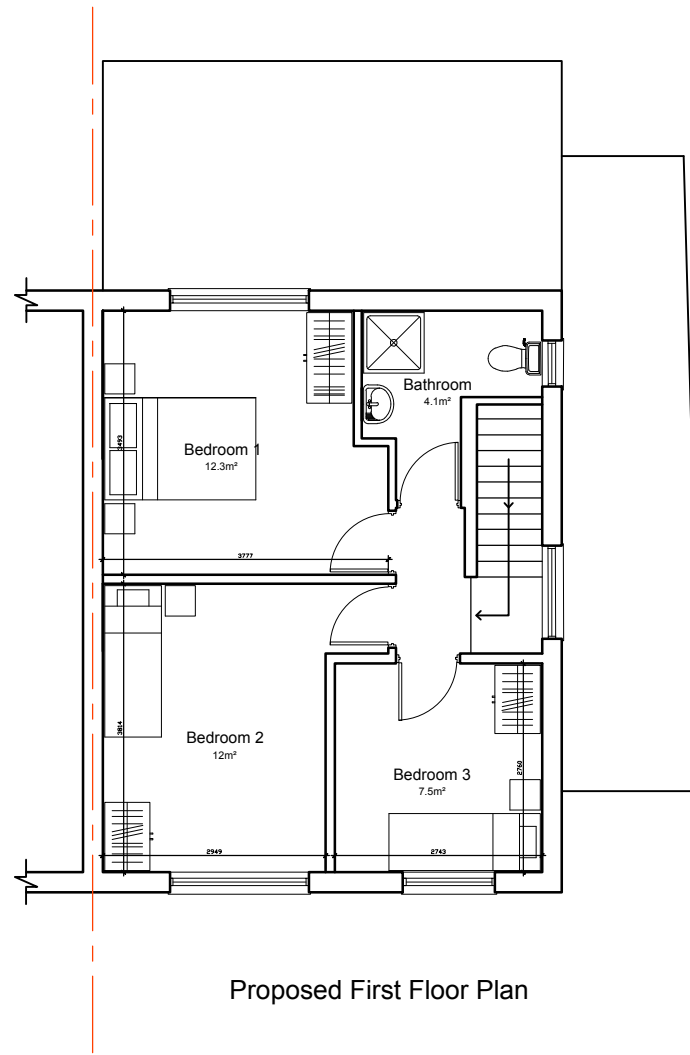
All dimensions to be checked by the Contractor before construction proceeds.

This drawing is the copyright of IntelliArch Limited and shall not be anyway used or reproduced without their prior written consent.

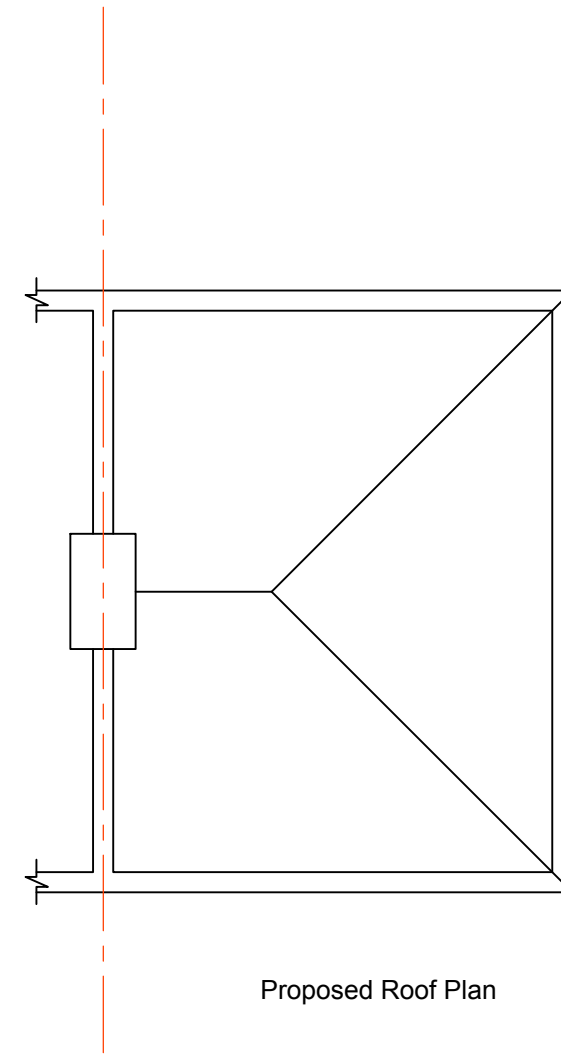
rev.	date.	dwn.
------	-------	------



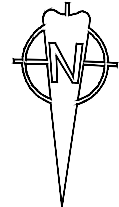
Proposed Ground Floor Plan



Proposed First Floor Plan



Proposed Roof Plan



	<b>Full site boundaries (234m²)</b>
	<b>Proposed new walls</b>
	<b>Existing walls</b>
	<b>Walls to be removed</b>

**FOR PLANNING**

**IntelliArch Ltd**



Intelligent Architecture and Surveying  
 52 Southbury Road, Enfield EN1 1YB  
 T: 0204 537 37 11 M: 07956 296 076  
 E: info@i-arch.co.uk W: www.i-arch.co.uk

project  
 59 St Alphege Road  
 London N9 8BU

title  
 Proposed Ground & First Floor Plans

scale 1:100 @ A3	dwn AA
date 7th March 2024	chk MA

drg no.  
**1534-110**

rev