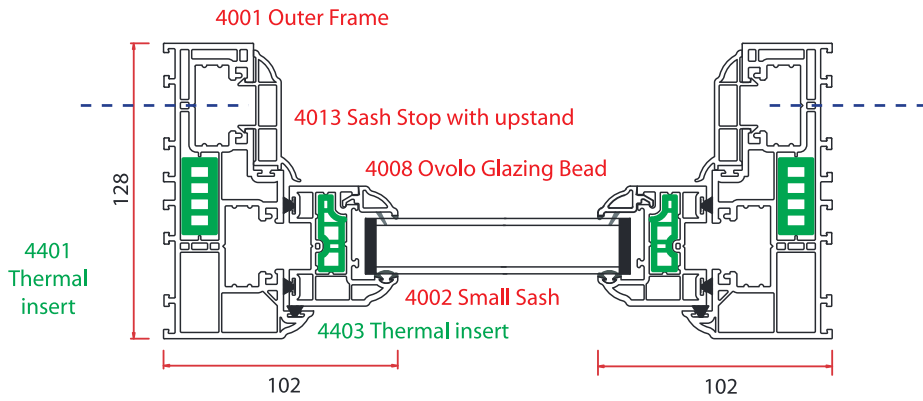
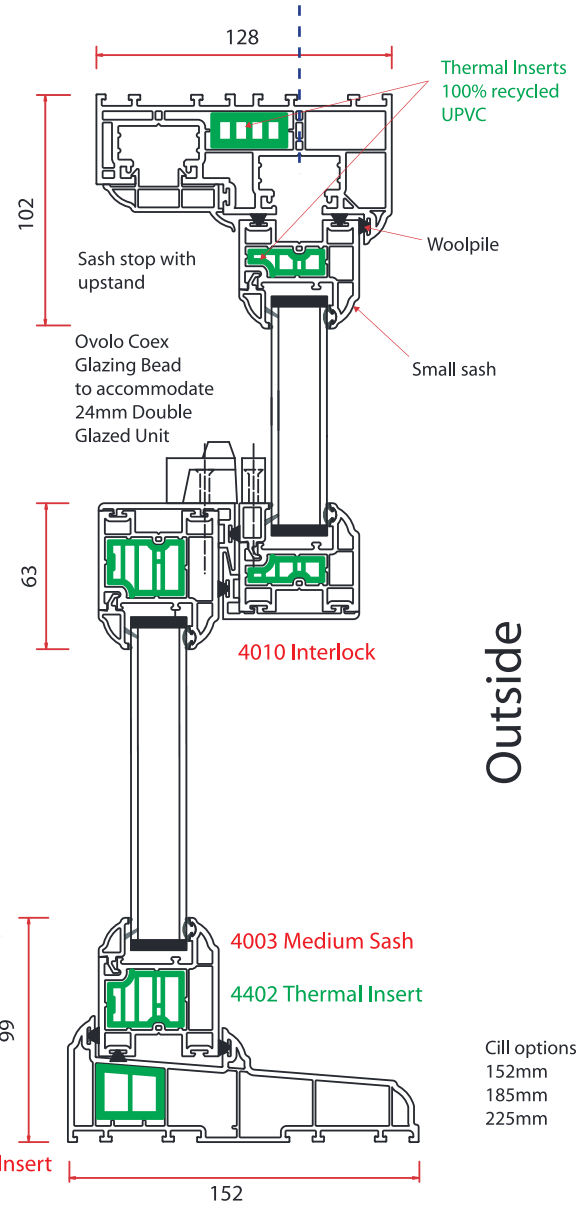


Installation Guidelines

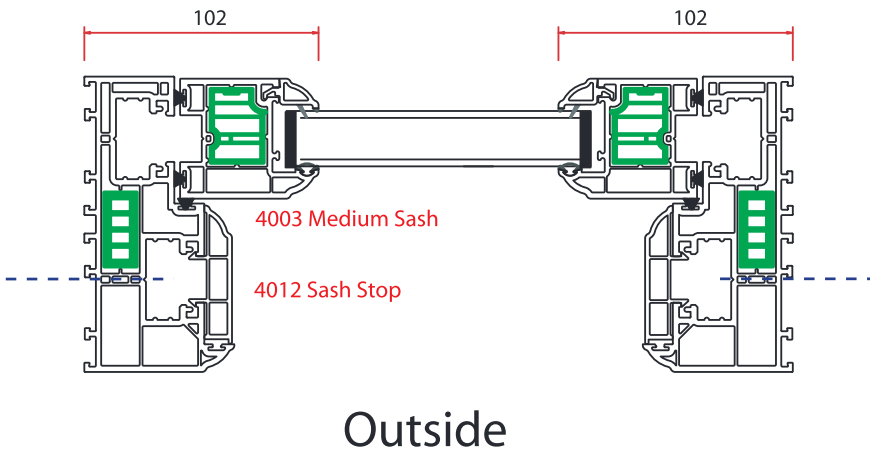
Horizontal section through top sash



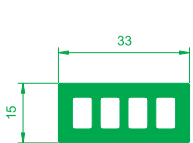
Vertical section through sash



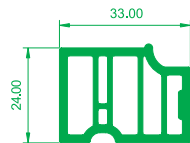
Horizontal section through bottom sash



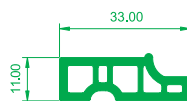
Note: Thermal inserts (coloured green) are manufactured from 100% recycled PVC-U.



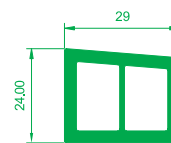
4401
Thermal Insert
For 4001 Outer Frame



4402
Thermal Insert
For 4003 Medium Sash



4403
Thermal Insert
For 4002 Small Sash



4405
Thermal Insert
For 4005, 4006, 4407 cill