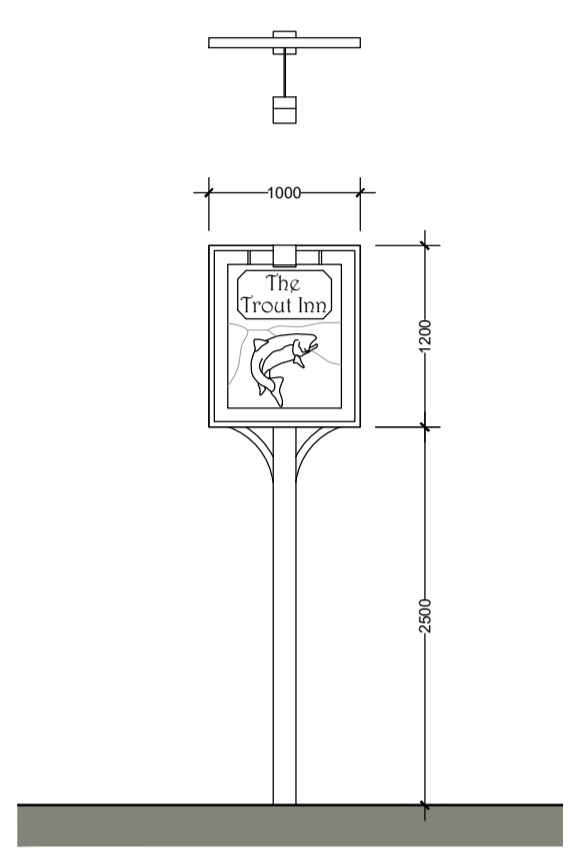
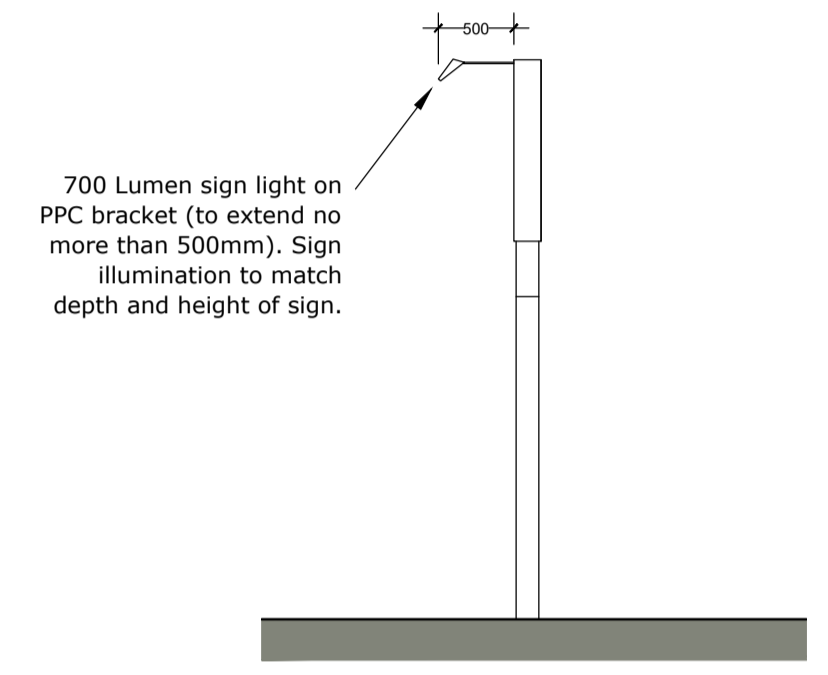




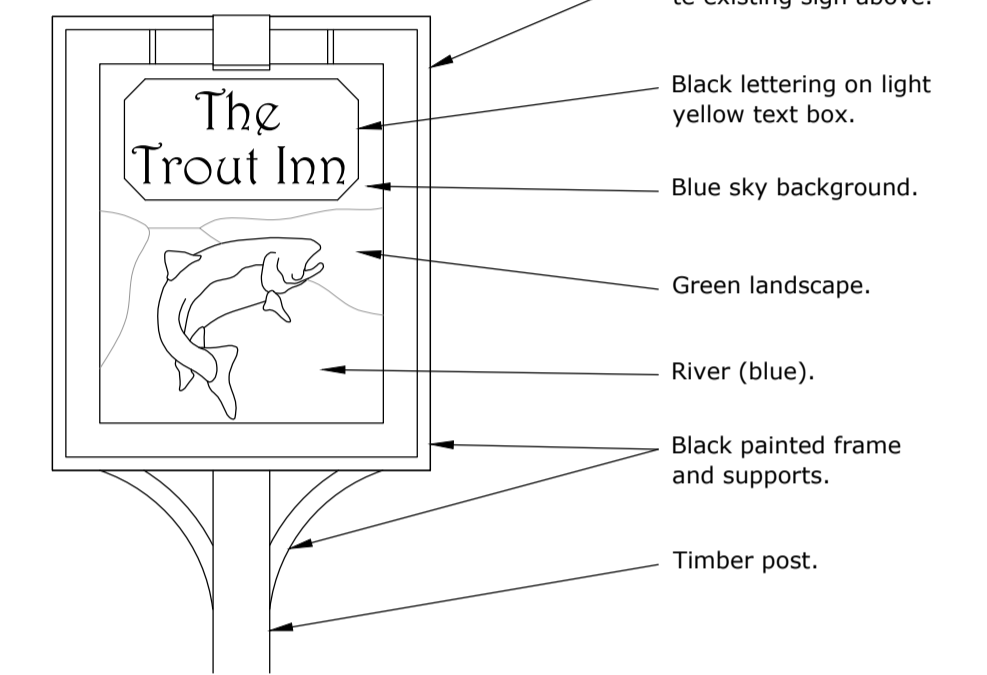
01 PROPOSED SIDE ELEVATION  
1:100



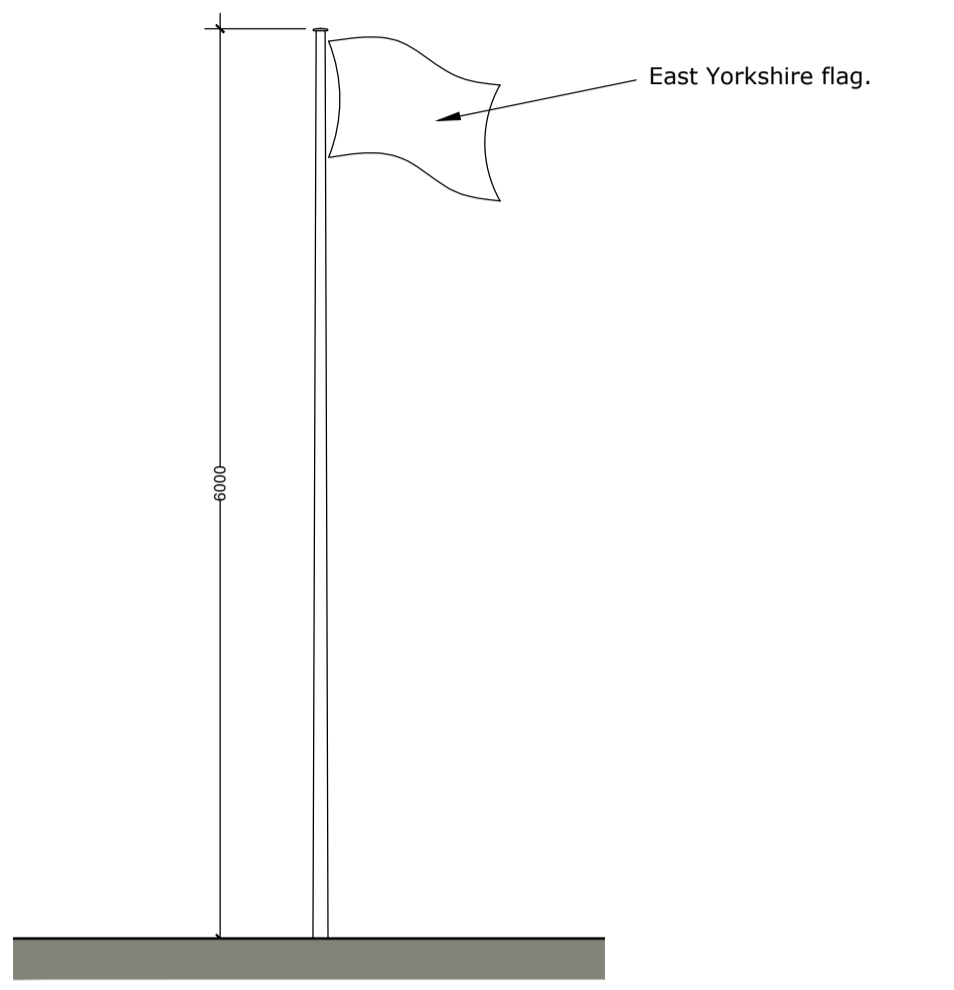
02 PROPOSED SIGN - PLAN AND ELEVATION  
1:50



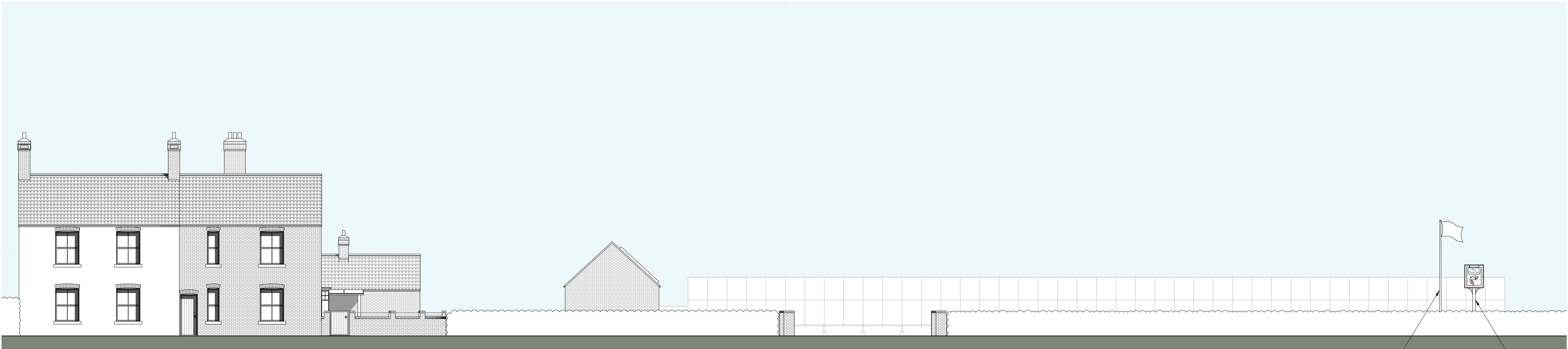
03 SIDE ELEVATION  
1:50



04 SIGN ELEVATION - DETAIL  
1:20



05 PROPOSED FLAG POLE ELEVATION  
1:50



06 PROPOSED STREET ELEVATION  
1:100

6m high flag pole. Proposed sign.