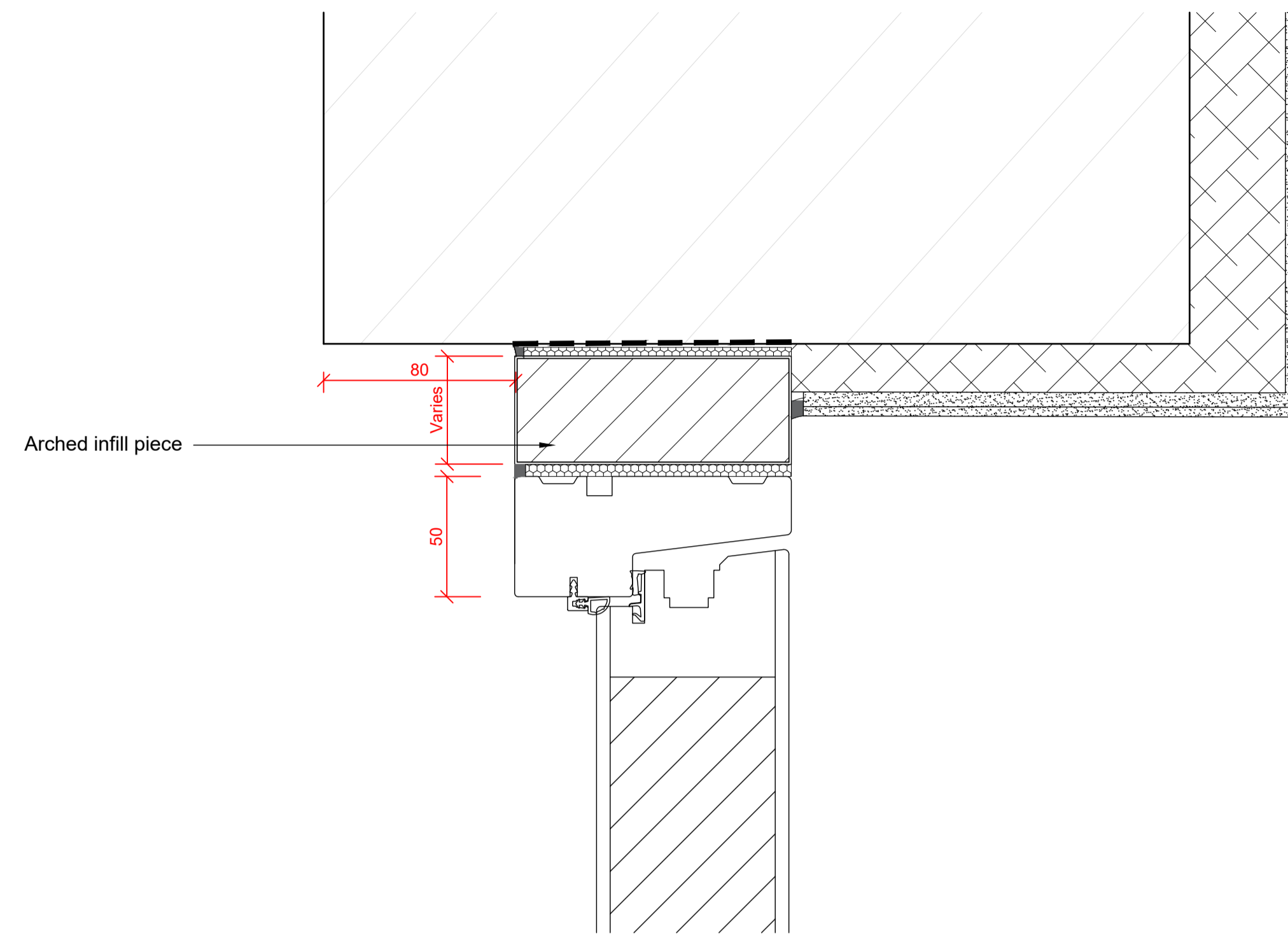
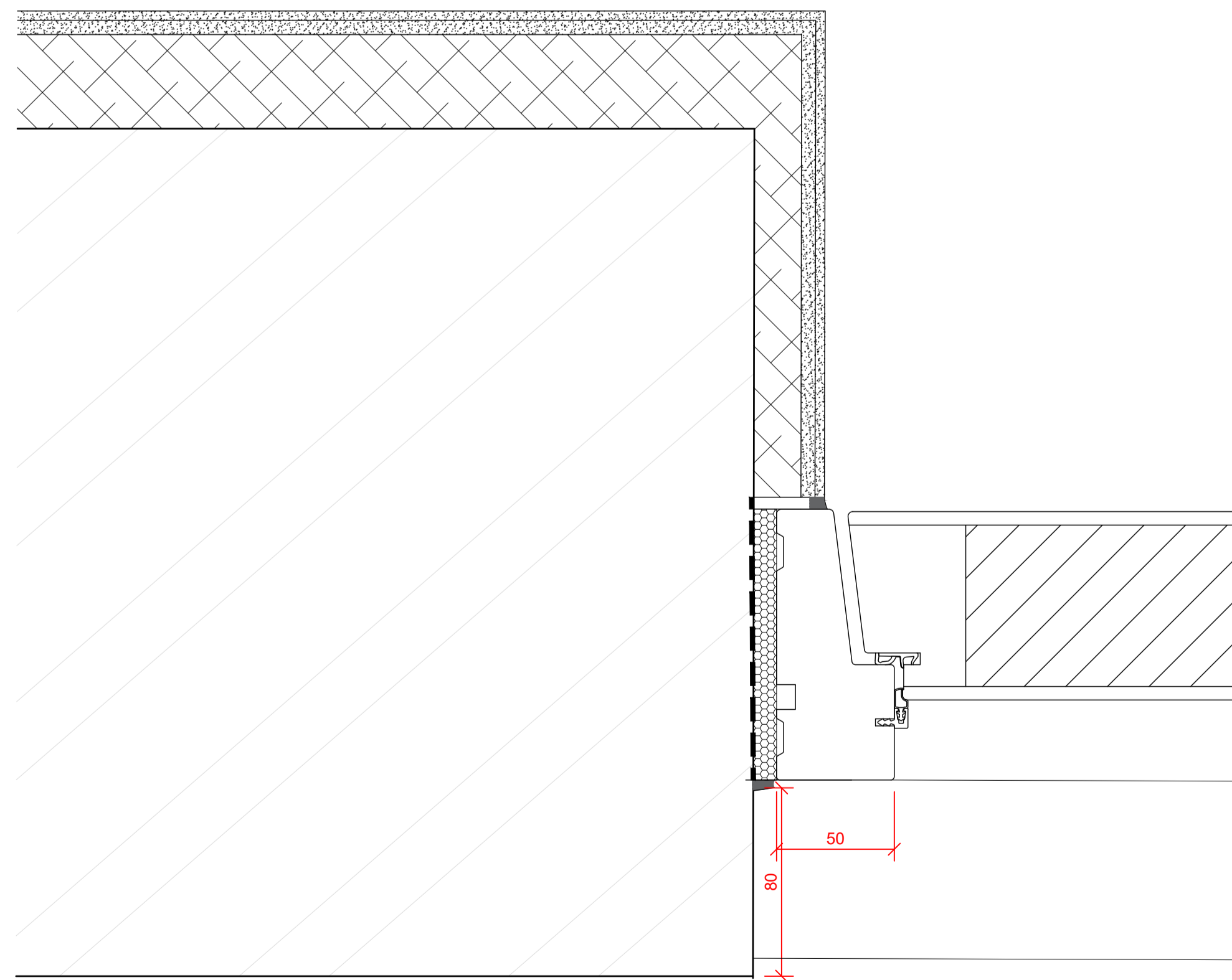


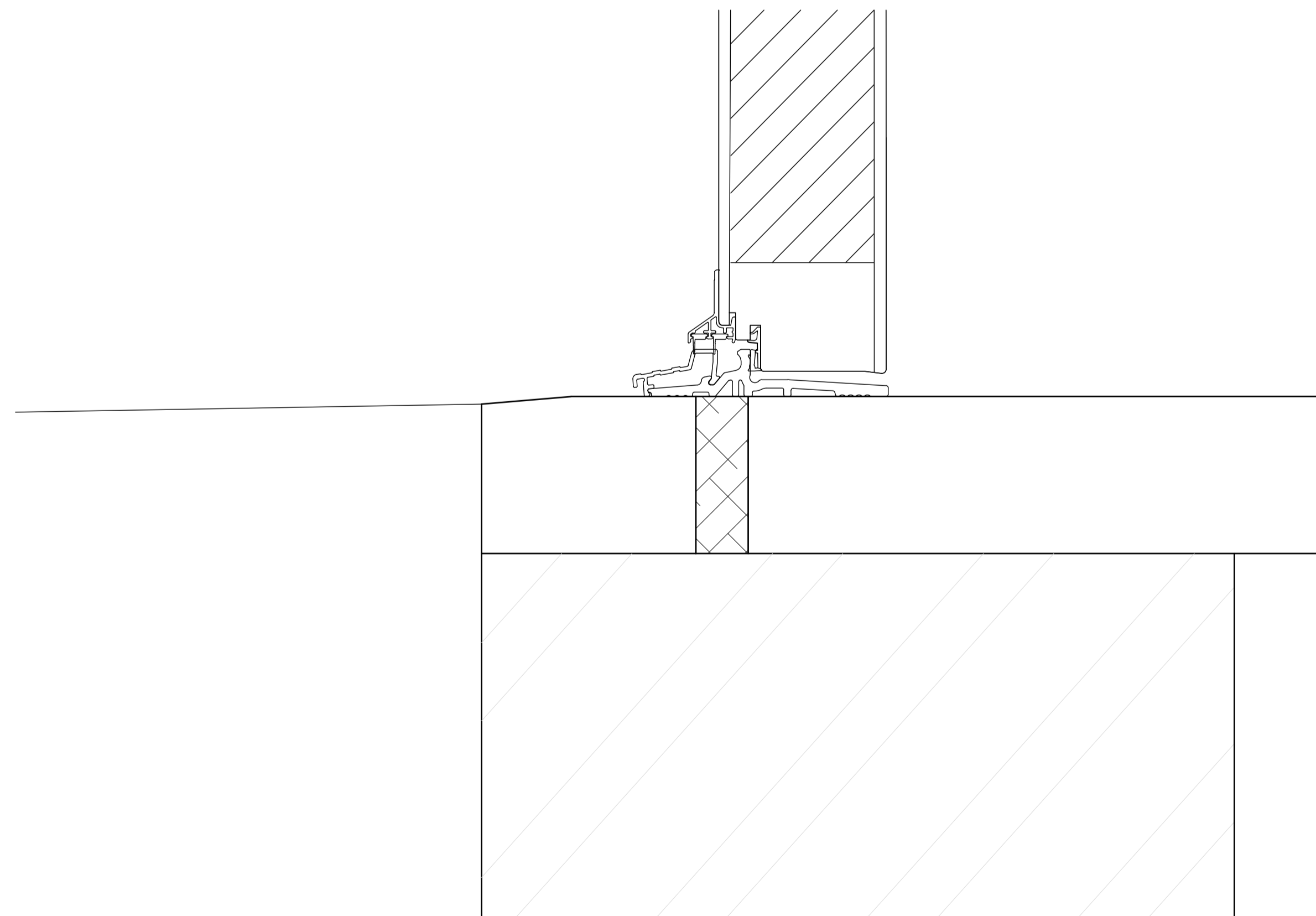
Type D
Elevation (1:10 Scale)



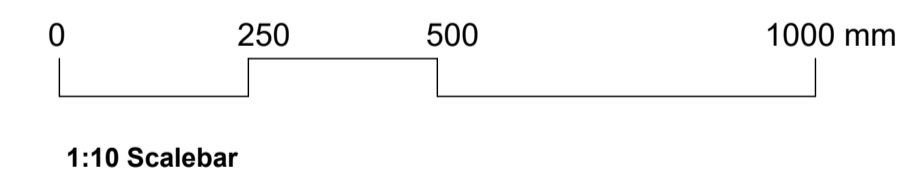
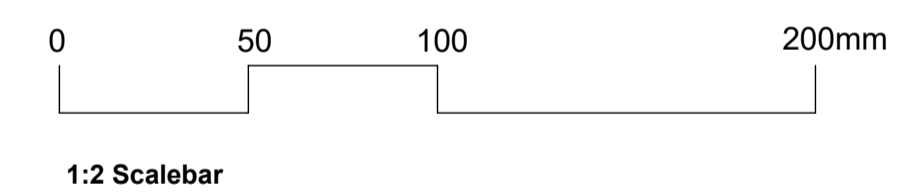
Detail D2
Section Thro' Type D Door Head (1:2 Scale)



Detail D1
Horizontal Section Thro' Type D Door (1:2 Scale)



Detail D3
Section Thro' Type D Door Threshold (1:2 Scale)



Rev	Note	By	Date
A	Amended design	IMA	05.02.23
Scale:	1:10 & 1:2	@A1	
Date:	25.10.23	Status:	PL
Drawn:	IMA	Checked:	-
Job No:	1039	Drng No:	218 Rev A
Title:	BARN Door Type D Details		

Project: Manor Farm
Church Rd
Swindon Village
Client: Manor Farm (Cheltenham) Ltd



DHA ARCHITECTS

Daniel Hurd Associates
33 Powell St, Birmingham B1 3DH
Tel: 0121 200 2638 Fax: 0121 236 8593
e-mail: design@dhaa.co.uk