

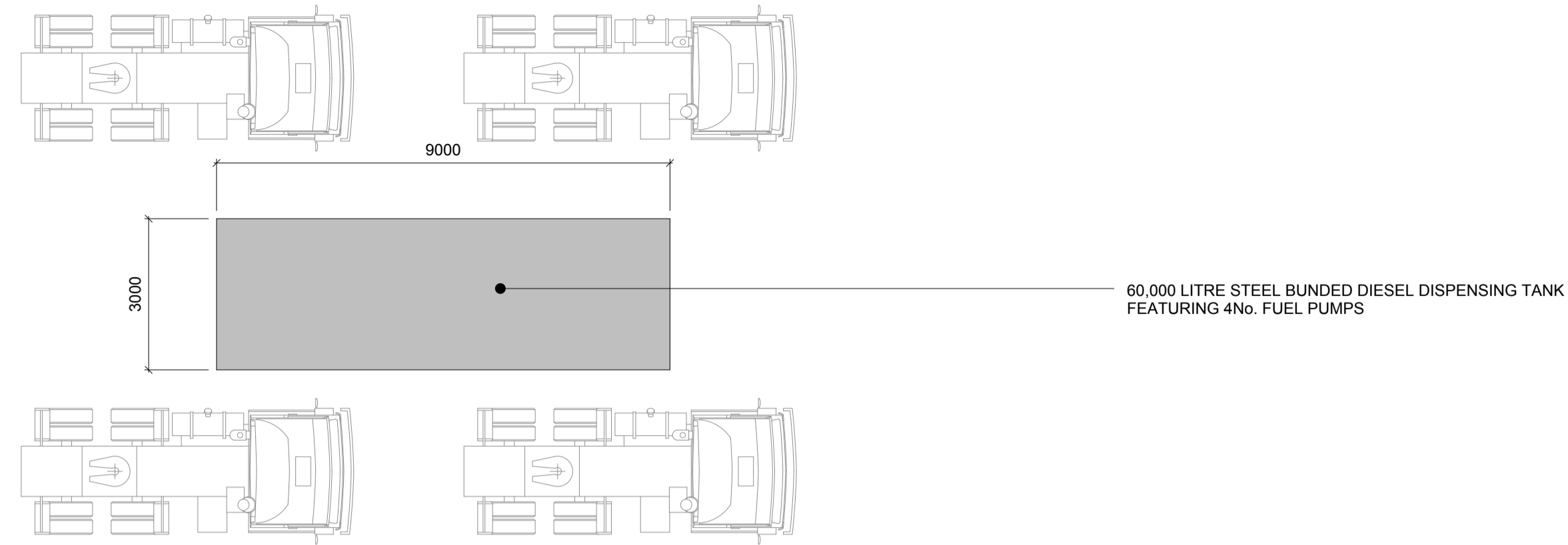
notes  
 This drawing is the copyright © property of Hypostyle Designs Ltd - no copying or distribution of this drawing or any part thereof is permitted without prior written permission.  
 Do not scale from this drawing. All existing dimensions to be checked on site prior to commencement of works or manufacturing of components.  
 Any discrepancies to be brought to the attention of the architect - if in doubt, ask.

S.H.E - safety health & environment information

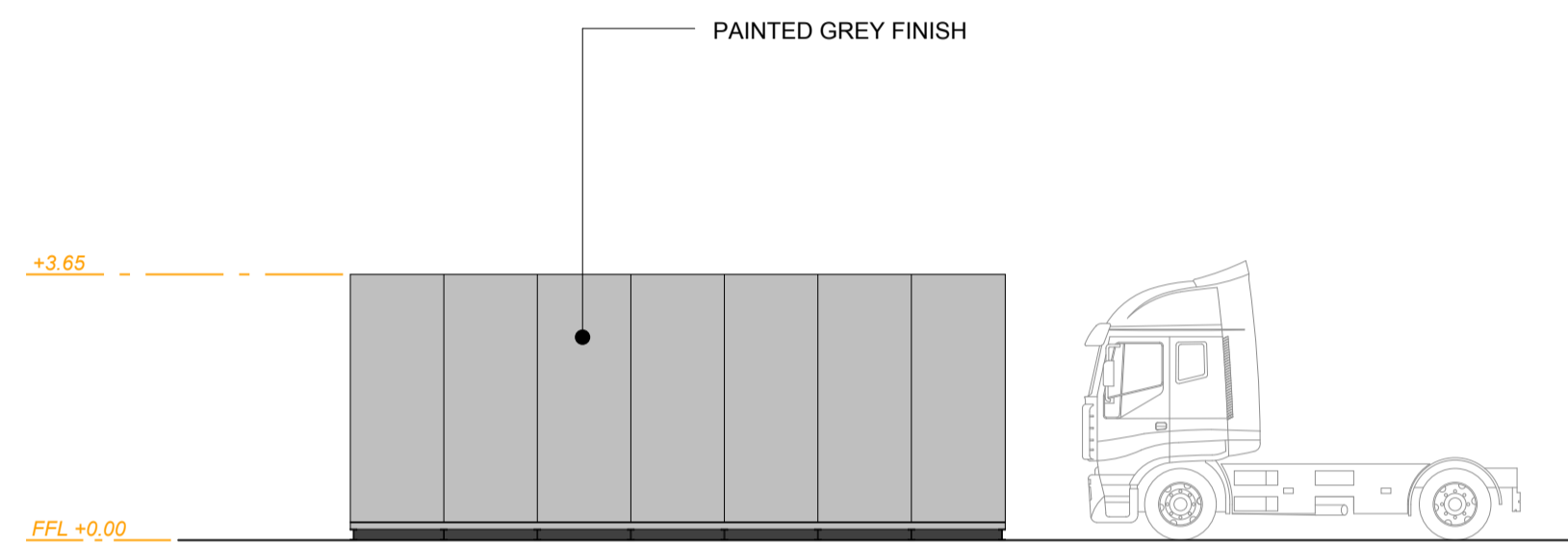
- 1.
- 2.
- 3.

⊕ symbol indicates location & ref. no. of residual hazard/risk

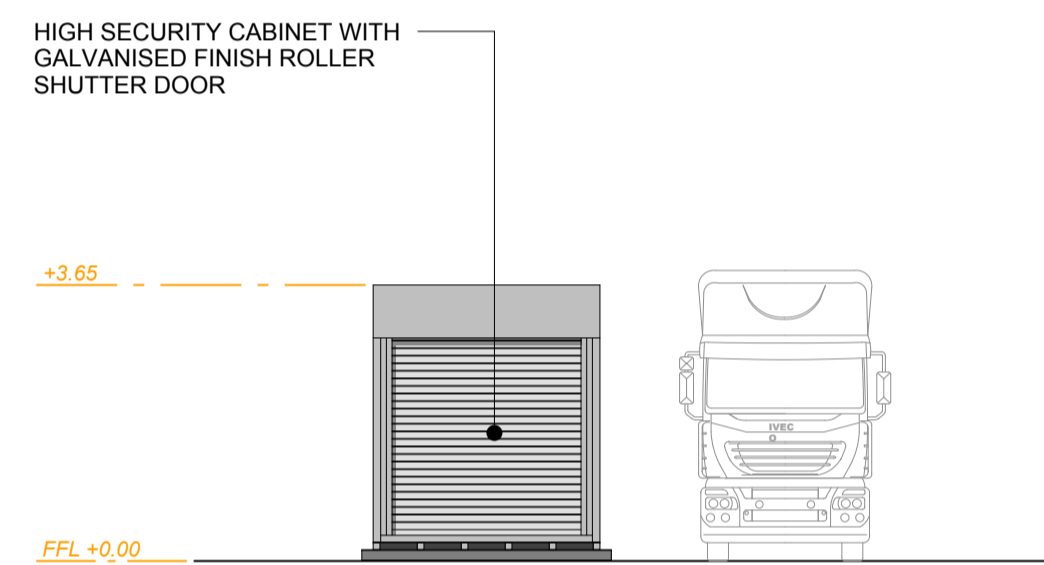
**KEY**



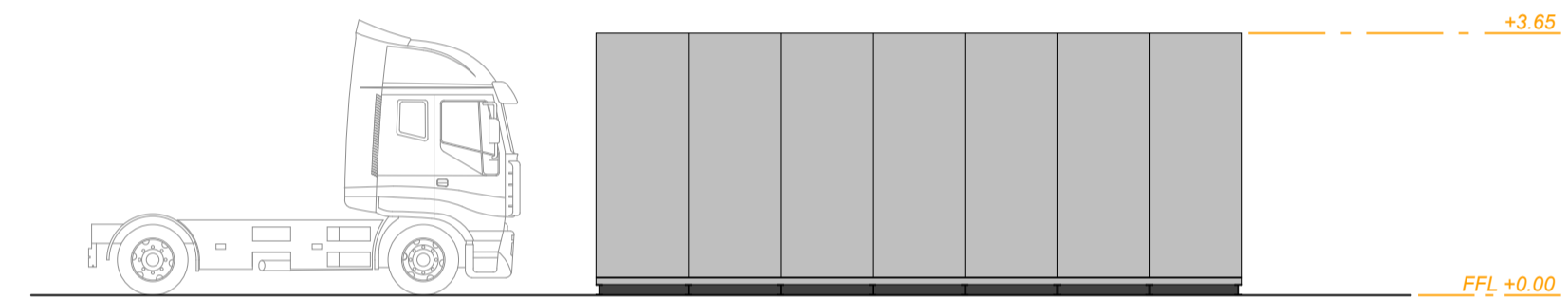
**01** PLAN  
 Scale 1:100 (A1)



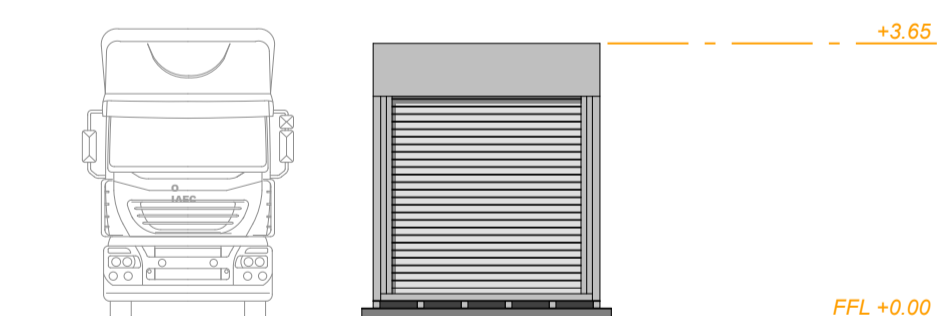
**02** Front Elevation (North)  
 Scale 1:100 (A1)



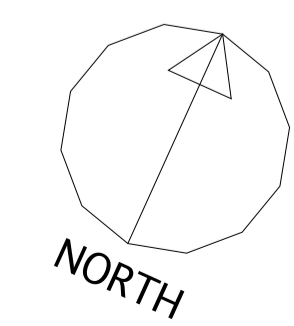
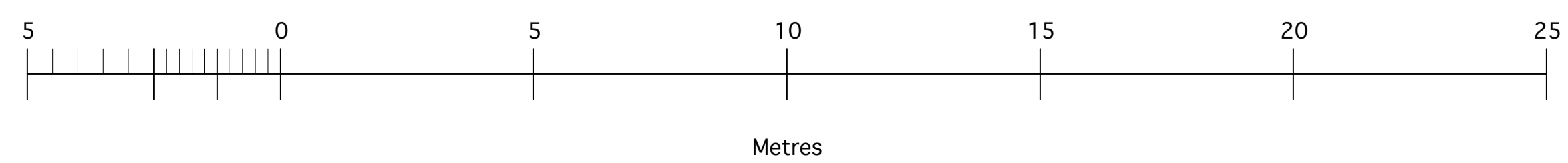
**03** Side Elevation (East)  
 Scale 1:100 (A1)



**04** Rear Elevation (South)  
 Scale 1:100 (A1)



**05** Side Elevation (West)  
 Scale 1:100 (A1)



rev.	amendment	by	checked	date

**HYPOSTYLE**  
 ARCHITECTS  
 www.hypostyle.co.uk

Glasgow 49 St. Vincent Crescent G3 8NG  
 T: 0141 204 4441 F: 0141 204 4897 E: glasgow@hypostyle.co.uk  
 Edinburgh 4 Sandport Place EH6 6EU  
 T: 0131 555 0888 F: 0131 553 4450 E: edinburgh@hypostyle.co.uk

client  
**J & M MURDOCH & SON LTD**

client's ref  
 project  
**SHILLFORD DEPOT**

drawing  
**PROPOSED REFUELLING STATION PLAN**

scale 1:100

page size	drawn	GD	checked	GD
date	date	date	date	date
A1	17/01/24			Jan 2024

job ref	drawing num	rev
3943	AL(0)104	-