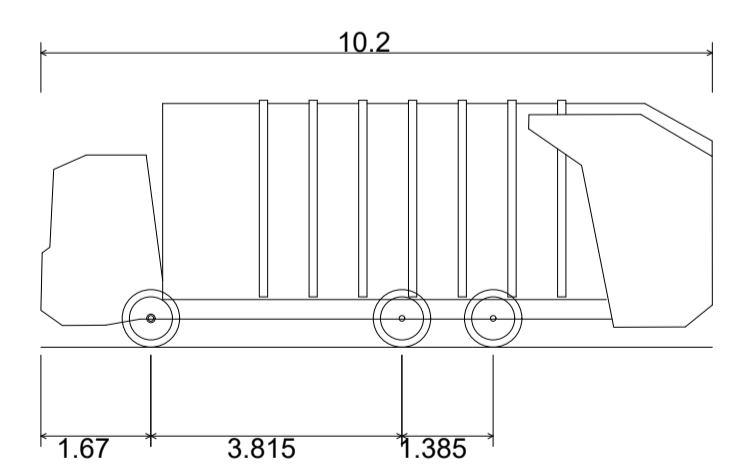


Phoenix 2 Duo (P2-12W with Elite 6x4 chassis)

WATFORD ROAD



Phoenix 2 Duo (P2-12W with Elite 6x4 chassis)
 Overall Length 10.200m
 Overall Width 2.530m
 Overall Body Height 3.751m
 Min Body Ground Clearance 0.304m
 Track Width 2.500m
 Lock to lock time 4.00s
 Kerb to Kerb Turning Radius 7.800m



PROJECT	20 WATFORD ROAD , RADLETT , WD7 8LE	DRAWN BY	KL
		DESIGNED BY	KL
		CHECKED BY	AA
		APPROVED BY	AA
		DATE	29/04/23
PURPOSE	INFORMATION	SCALE	1:200
DRAWING NUMBER	J2775-PD-0000-0001	REVISION	A

A | 05/08/23 | SWEPT PATH UPDATED | KL | KL | AA | AA
 REC | DATE | DRAWN BY | CHECKED BY