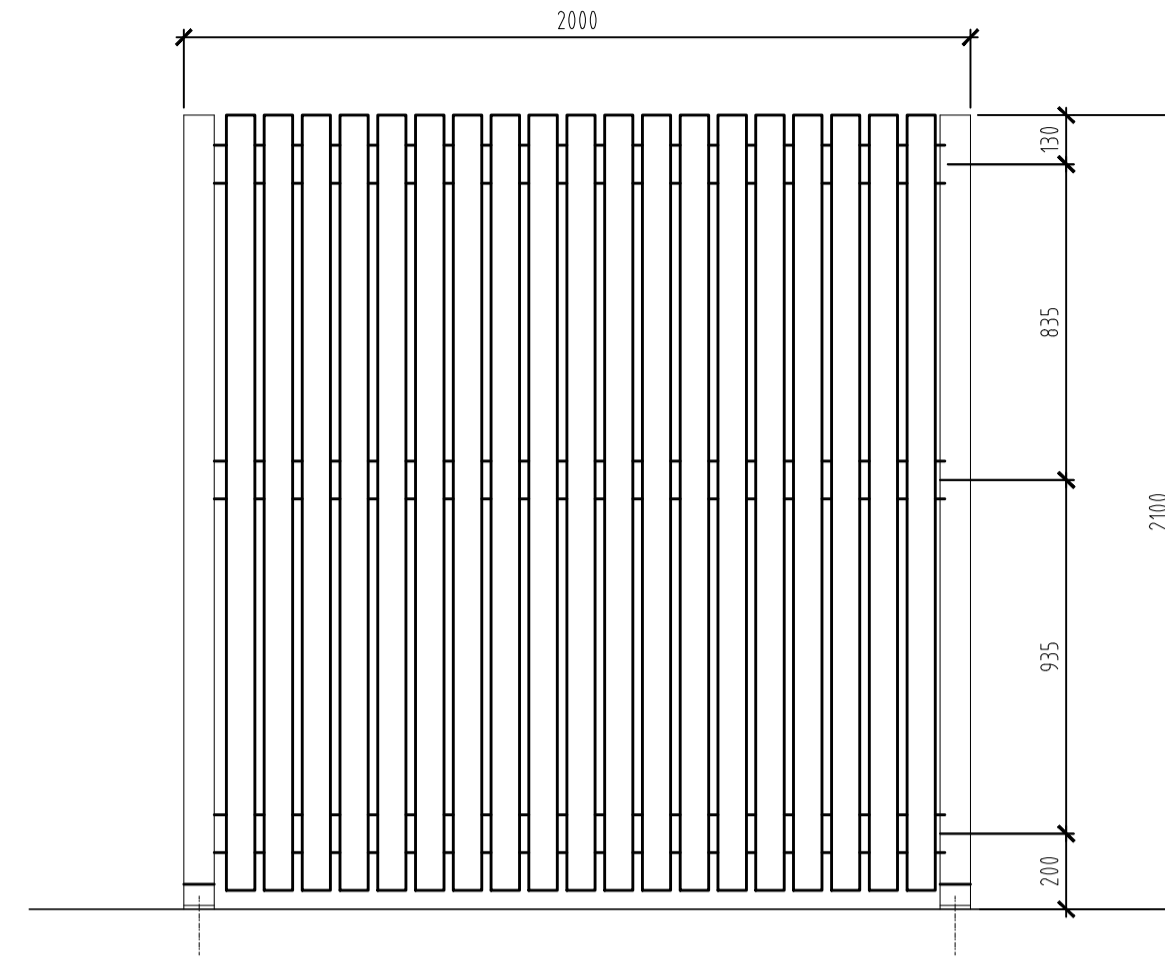
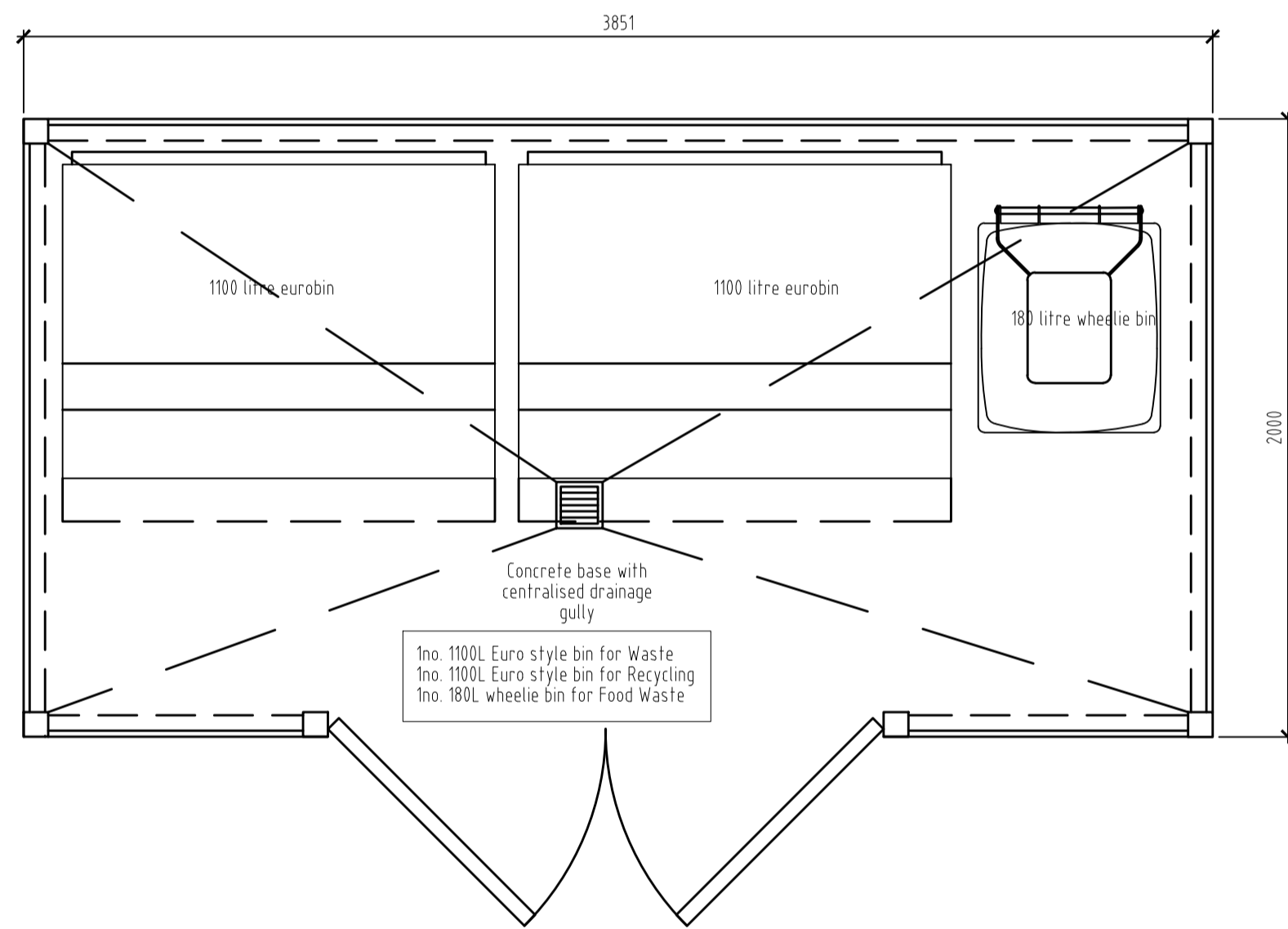


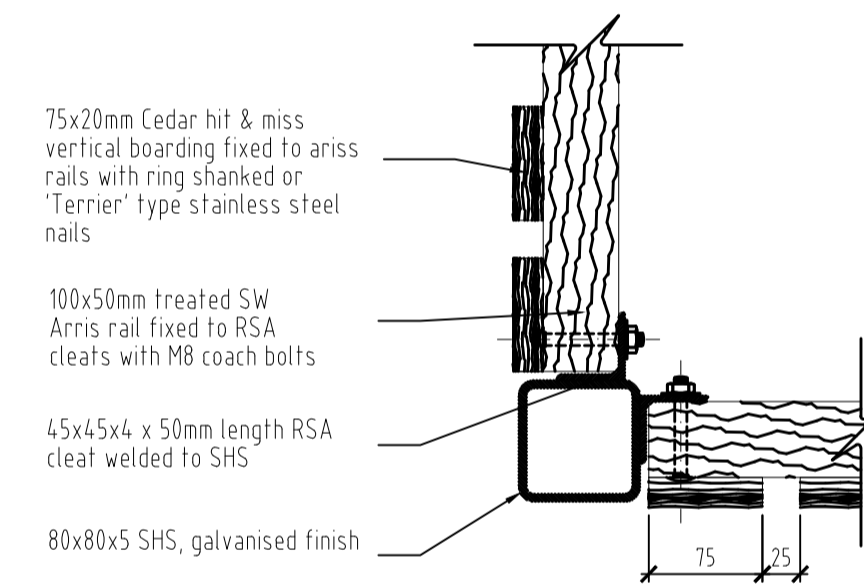
Front Elevation



Side Elevation



Refuse Store Enclosure
Scale 1:20



Plan Corner Detail
Scale 1:5

REV	DESCRIPTION	DATE	INT	CHKD
STATUS	FOR INFORMATION			

Client

Project
291 Main Road, Sidcup, DA14 6QL

Title
Refuse Enclosure

Scale	Date	Drawn	Checked
1:20@A1	Nov '23	N/A	N/A
Project No:	Drawing No.	Revision	
2022-217	107	-	